



Business Office and Showroom
3099 East Washington Avenue
Madison WI 53704

**State of Wisconsin
Bureau of Correctional Enterprises**
www.shopbce.com

Tel 608-240-5200
Toll Free 1-800-862-1086
Fax 608-240-3320

MARATHON

Contemporary furniture for today's modern workplace



Welcome to Marathon

The Marathon Collection creates upscale environments for intelligent work spaces. With a variety of available options for surface finishes and edge styles, Marathon offers a distinguished look for any office or private work area.

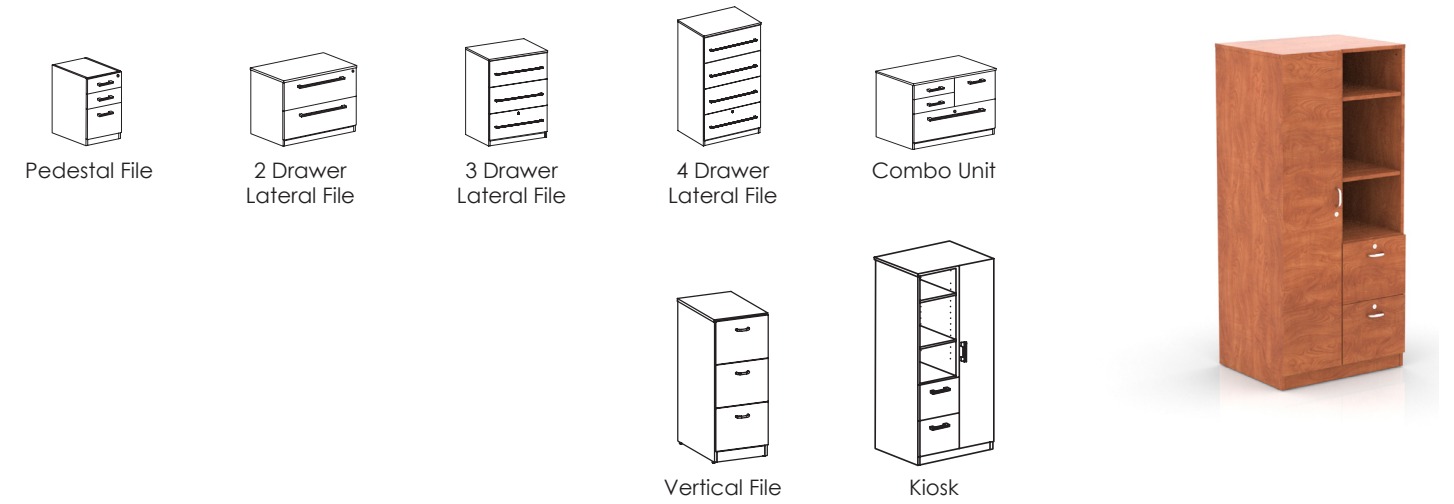
- Mix and match components to assemble the perfect aesthetic for private offices or shared spaces
- Wide range of closed and open storage configurations
- 6 Laminate finishes
- 7 Handle options in a wide array of finishes



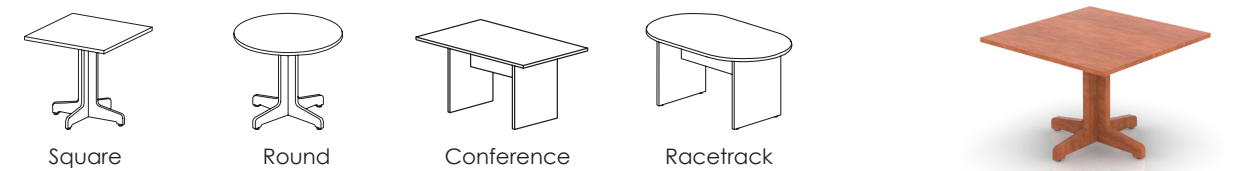
Shown in Windsor Mahogany with EC335 Executive Chair (Jodhpurs Fabric)

MARATHON STATEMENT OF LINE

Files & Kiosks

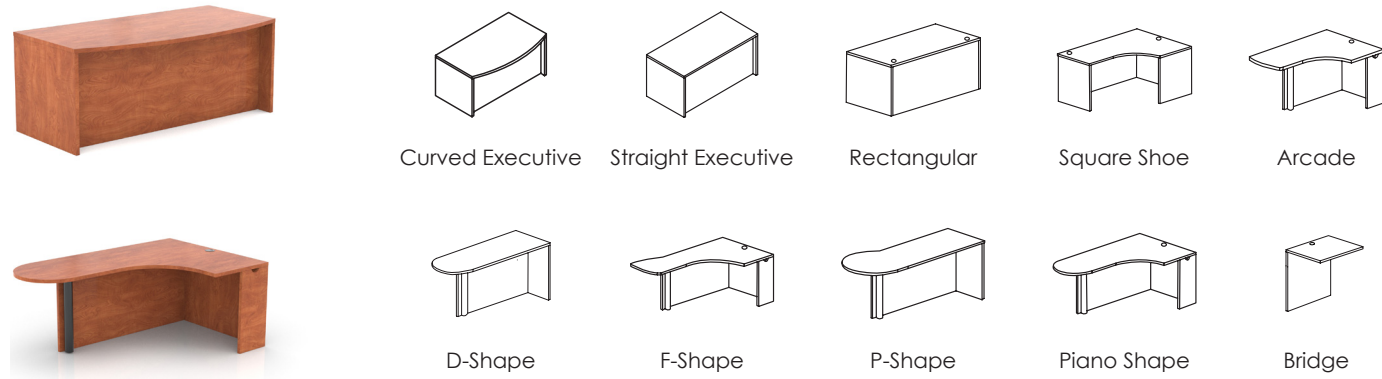


Tables

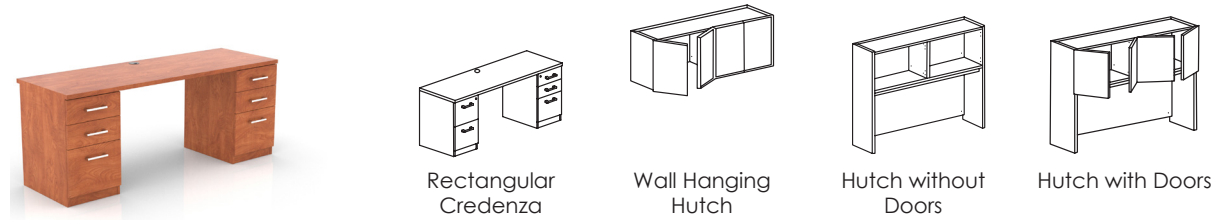


MARATHON STATEMENT OF LINE

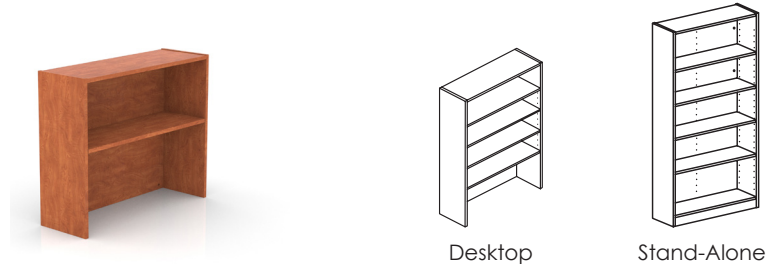
Desks & Bridges



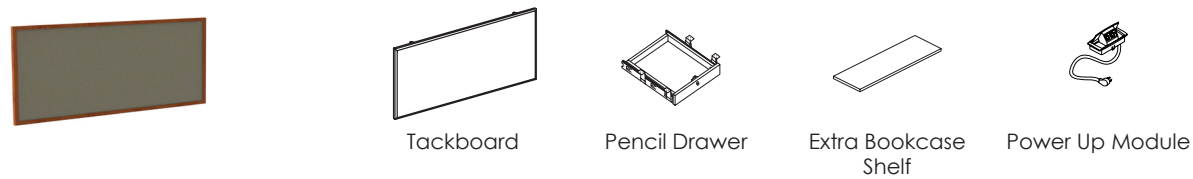
Credenzas & Hutches



Bookcases



Accessories



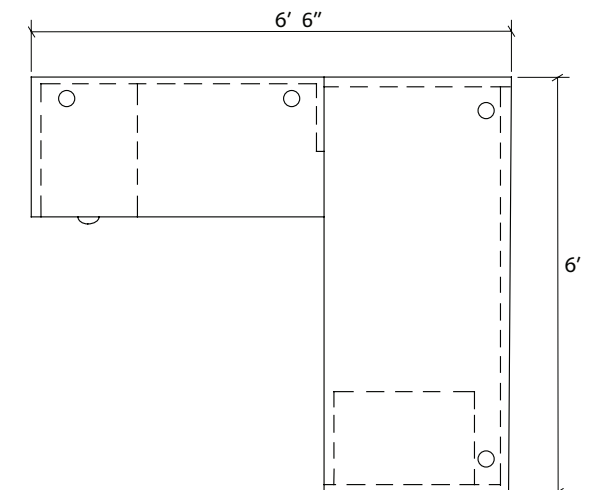
Marathon



Shown in Monticello Maple with CXO-HD Task Chair (Sapphire Fabric)

L-Shape Desk Typical Collection

A large desk with an ample workspace provides a comfortable working area, and tabletop grommets keep cords neat. Pedestal files give you a convenient area to store documents and office essentials.

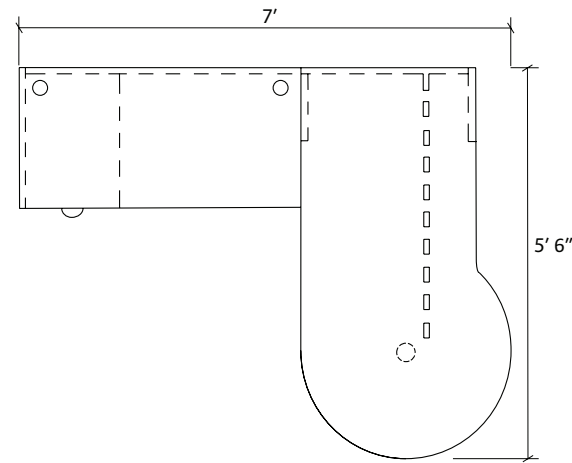


*For dimensions and additional product specifications, please review the price list or contact your Salesperson.

Marathon

P-Surface Desk Typical Collection

A P-Surface Table complete with tabletop grommets provides a comfortable and convenient working space. Organization is simple with a pedestal file to store office essentials and daily files.



Shown in Wild Cherry with CXO-TI Task Chair (Ebony Fabric)

Marathon

Level 1 Handles

- Meadow Handle Brushed Nickel 2097-48PN-P
- Meadow Handle Verona Bronze 2098-40VB-P
- Meadow Handle Graphite 2280-4GPH-P
- Black 12-4999
- 6" Fox Handle BCEFOX6
- Dull Brass W-FE14835-4
- Dull Chrome W-FE14835-26D
- Arch Handle Black 9400-1055-P
- Arch Handle Brushed Nickel 9398-IBPN-P
- Arch Handle Polished Chrome 9399-1026-P
- Vini Handle Nickel 2-KP56024

Level 2 Handles

- Black Rock Handle Black Bronze BP55277BBR
- Black Rock Handle Satin Nickel BP55277G10
- Black Rock Handle Gun Metal 2000647
- Black Rock Handle Oil Rubbed Bronze BP55277ORB
- Black Rock Handle Polished Nickel 200611
- Black Rock Handle Golden Champagne BP55277BBZ
- Riva Handle Satin Nickel BP55367G10
- Riva Handle Graphite BP55367GPH
- 24" Fox Handle BCEFOX24

Laminate Options

- Windsor Mahogany
- Washington Cherry
- Carbon Oak
- Hard Rock Maple
- Monticello Maple
- Valencia Teak

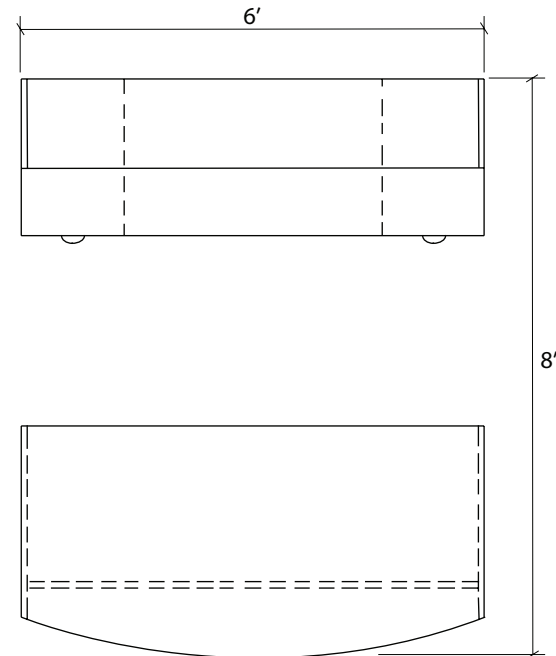
Fire-Rated: This long-lasting, beautiful laminate meets or exceeds the fire codes across the country and comes in a wide range of patterns and colors.

High Wear: Low-cost and built to take the extra wear that comes with high traffic commercial uses, our high wear laminate boasts more than five times the industry standard for abrasion resistance.

Marathon

Executive Desk Typical Collection

A curved desk with a recessed full modesty panel provides a generous amount of room for guests. Convenient pedestal files allow you to organize all your office essentials and keep them within reach. A hinged door hutch adds stylish ambiance to your office space, while maximizing storage potential.



Shown in Valencia Teak with EC335 Executive Chair (Sapphire Fabric)

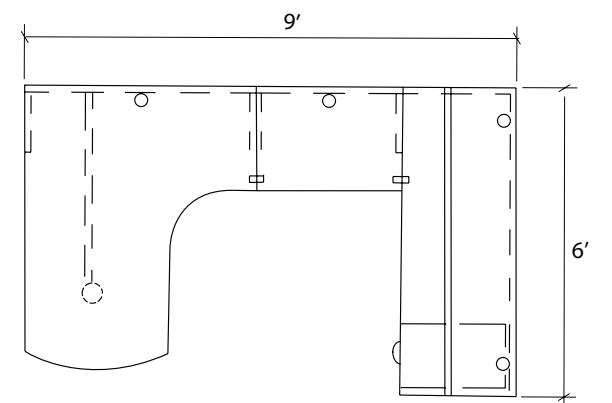
Marathon



Shown in Hard Rock Maple with EC135 Conference Chair (Bark Fabric)

Arcade with Hutch/Desk Typical Collection

A large worksurface allows you to comfortably work on projects and interact with guests. Tabletop grommets are available to accommodate and conceal cables. A convenient pedestal file and hutch allows you to organize all your office essentials and keeps them within reach.



Marathon



Contemporary furniture for today's modern workplace

Shown in Carbon Oak with EC135 Conference Chair (Jodhpurs Fabric)

