

PRODUCT SPECIFICATIONS

Navigator® Air Task Chairs & Task Stools

November 2019

TECHNICAL SPECIFICATIONS

Seat and Backrest

Seat is a two-piece construction with a molded polypropylene liner, a molded compound curved polypropylene shroud and a textured finish. Seat is always upholstered. Foam (1½") is applied to the molded polypropylene liner. Fabric is then upholstered over the foam. Backrest frame is molded glass-reinforced nylon. Mesh fabric is 100% polyester. Seat and backrest are field-replaceable.

Back/Arm Supports

Two welded steel backrest supports attach the backrest to the Navigator mechanism. If so equipped, optional armrest structure is integral to the backrest support. Armcaps are polypropylene and are field-replaceable.

Navigator Mechanism

The back flex is achieved by the Navigator mechanism. It consists of two flat Navigator springs captured at both ends by steel bushings that are welded to the backrest supports. The Navigator mechanism creates gradually increasing resistance over the full 12° of back flex.

Base

The 26" diameter 5-blade base is made of injection-molded glass-reinforced nylon. A single paddle under the seat operates the height-adjusting pneumatic cylinder. Standard chair base and cylinder available in black only. Standard stool base available in black only. An optional polished die-cast aluminum base is available on both chairs and stools.

Pedestal Casters

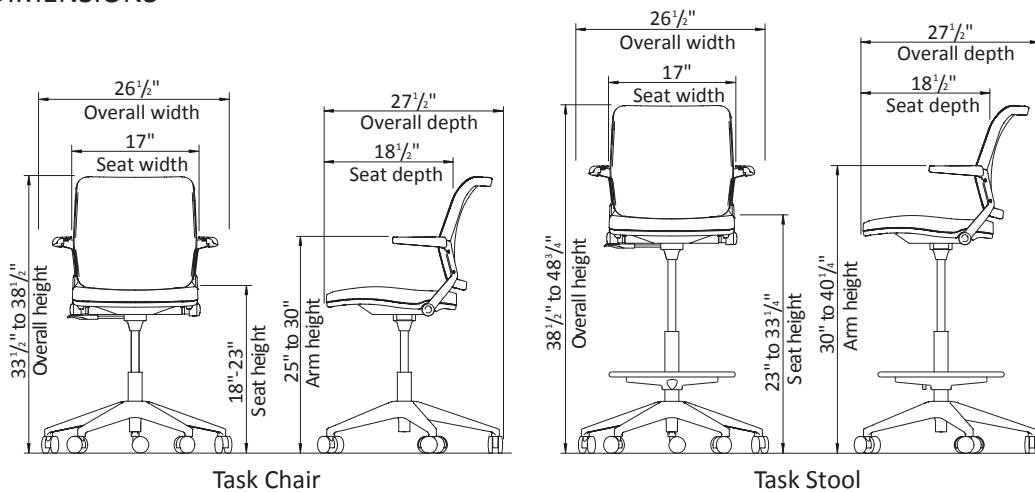
Double wheels of high-impact thermoplastic.

Foot Ring

Task stools are equipped with an adjustable-height, 18" diameter chrome-plated steel foot ring with black, die-cast aluminum hub and spokes.



DIMENSIONS



STATEMENT OF LINE

CODE COMPLIANCE



NAVAT-NA



NAVAT-WA



NAVAST-NA



NAVAST-WA

