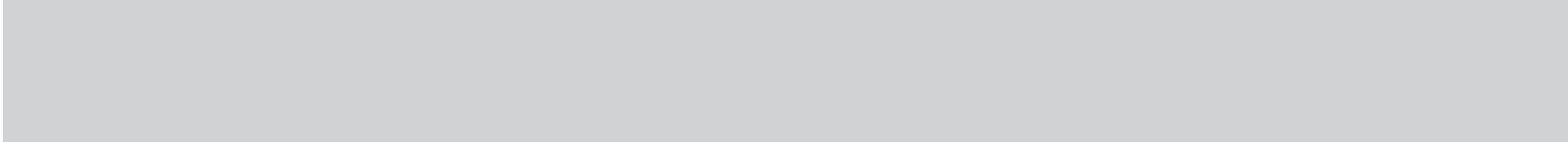


POWERWORKS®

PANEL SYSTEM

planning guide





PowerWorks® Planning Guide

Introduction	2
---------------------	---

Product Overview

Panel Preconfigurations	4
Stackable Sections	8
Door Components	9
Intersection Conditions	10
Wall Mount Components	14
Stackable Intersections	14
Panel Components	16
Worksurfaces Accessories	23
Keyboard Arms	28
Overhead Storage/Accessories	29
Lights	31
Markerboards	32
Tackboards	32
Paper Management/Accessories	33
Storage Pedestal/Accessories	34

Planning Guidelines

Panel Support and Loading	38
Storage Units	41
Panel Mounting Guidelines	42
Weight Capacities	43
Wall Mounting	44
Stacking Section Guidelines	46
Door Guidelines	47
Reconfiguring Panels	49
Electrical Power	60
Data Cable Management	71

PowerWorks Technical Specifications

Panels	78
Panel Trim and Accessories	80
Electrical	81
Worksurfaces and Accessories	82
Overhead Storage and Accessories	84
Paper Management Accessories	85

Typical Workstation Configurations	86
---	----

Introduction

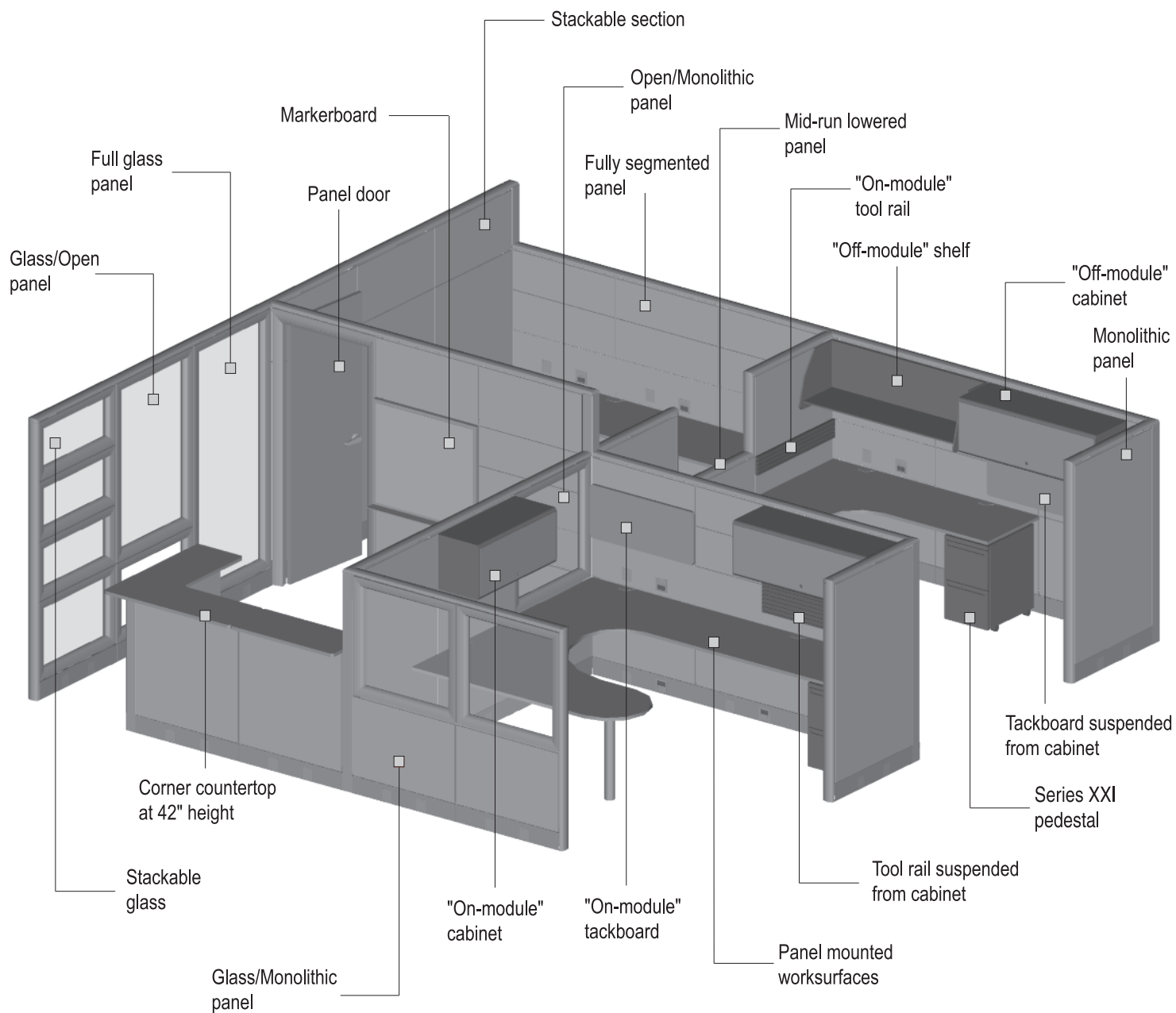
The PowerWorks® Panel System is completely modular in nature, designed for office environments that require frequent reconfiguration. The modularity of PowerWorks panels stems from separate frame, tile, and trim systems that assemble entirely with only a rubber mallet. A screwdriver and wrench are required to assemble overheads and install worksurfaces. A pre-wired power system can be run in the modular units at four standard heights. Hundreds of data cables can be managed throughout the panel system. PowerWorks accommodates all standard types of cables. PowerWorks also supports the Modular Data System.

The PowerWorks frame is simple to assemble and disassemble since it is based on only four basic parts (the full vertical post, half vertical post, corner connector block, and horizontal rail). Horizontal rails are designed to be added and removed without disturbing the vertical posts or power/data cables managed throughout the system. All cables are laid into the system without threading through the frame to greatly enhance the ability to reconfigure the system with minimal disruption and downtime. Vertical posts can later be stacked one on top of another to easily change panel height.

Panels come in three different styles to offer the user complete control over the office environment. Monolithic, segmented, and stackable styles are based on the same basic parts so they can easily be mixed and matched to maximize flexibility and value. Tiles are available in tackable acoustical fabric, tackable high-performance acoustical fabric, upholstered raceway, glass and open styles. Segmented and stackable panels can be any combination of these styles. Monolithic panels provide power inside of the base raceway. Segmented or stackable panels allow power at base, ADA, worksurface, and standing height. Storage accessories on monolithic panels are hung "on-module" using the slots in the vertical posts. Segmented or stackable panels can accommodate these accessories both "on-module" as well as "off-module", allowing overheads and panels of different widths to be used together and moved horizontally with minimal effort.

PowerWorks is the essence of modularity and reconfiguration simplicity in today's ever changing office environment.

Introduction



Product Overview

NOTE: For all panels, assembled panel heights are a minimum of 1⁵/₈" taller than stated heights.

PANEL PRECONFIGURATIONS FABRIC PANELS

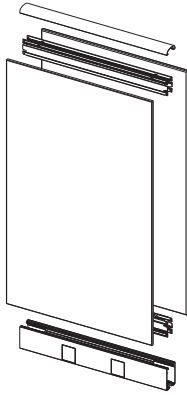
Face Style: Monolithic

Basic Model: PMMA & PMMH

Monolithic panels consist of full fabric tiles on both sides and a 6" base with base power available. Tiles are field replaceable. Panel also includes horizontal rails, top cap, and top cap sleeve. Acoustic or highly acoustic.

Width: 12", 18", 24", 30", 36", 42", 48", 54", 60"

Height: 30", 42", 54", 66", 84"



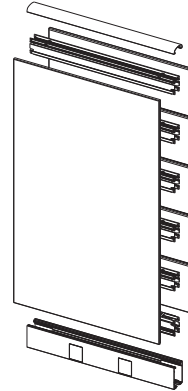
Face Style: Monolithic/Fully Segmented

Basic Model: PMFA & PMFH

Monolithic/fully segmented panels consist of one full fabric side, one fully segmented side, and a 6" base with base power available. Fully segmented panels consist of 12" tiles. Quantity of 12" tiles is dependent upon panel height. 84" high panels include one 18" tile on top. Tiles are field replaceable. Panel also includes horizontal rails, top cap, and top cap sleeve. Acoustic or highly acoustic.

Width: 12", 18", 24", 30", 36", 42", 48", 54", 60"

Height: 30", 42", 54", 66", 84"



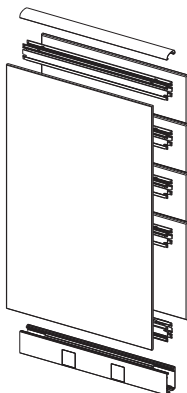
Face Style: Monolithic/Half Segmented

Basic Model: PMHA & PMHH

Monolithic/half segmented panels consist of one full fabric side, one half segmented side, and a 6" base with base power available. Half segmented panels consist of 24" fabric tile on bottom and tiles in 12" increments. Quantity of 12" tiles is dependent upon panel height. 84" high panels include one 18" tile on top. Tiles are field replaceable. Panel also includes horizontal rails, top cap, and top cap sleeve. Acoustic or highly acoustic.

Width: 12", 18", 24", 30", 36", 42", 48", 54", 60"

Height: 42", 54", 66", 84"



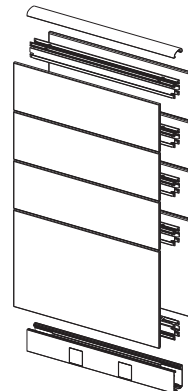
Face Style: Half Segmented/ Half Segmented

Basic Model: PHHA & PHHH

Half segmented/half segmented panels consist of two half segmented sides and a 6" base with base power available. Half segmented panels consist of 24" fabric tile on bottom and tiles in 12" increments on top. Quantity of 12" tiles is dependent upon panel height. 84" high panels include one 18" tile on top. Tiles are field replaceable. Panel also includes horizontal rails, top cap, and top cap sleeve. Acoustic or highly acoustic.

Width: 12", 18", 24", 30", 36", 42", 48", 54", 60"

Height: 42", 54", 66", 84"



Product Overview

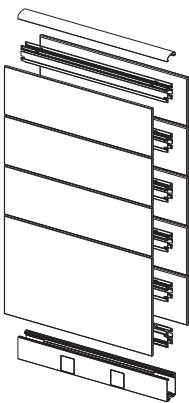
Face Style: Half Segmented/ Fully Segmented

Basic Model: PHFA & PHFH

Half segmented/fully segmented panels consist of one half segmented side, one fully segmented, and a 6" base with base power available. Half segmented panels consist of 24" fabric tile on bottom and tiles in 12" increments. Fully segmented panels consist of 12" tiles. Quantity of 12" tiles is dependent upon panel height. 84" high panels include one 18" tile on top. Tiles are field replaceable. Panel also includes horizontal rails, top cap, and top cap sleeve. Acoustic or highly acoustic.

Width: 12", 18", 24", 30", 36", 42", 48", 54", 60"

Height: 42", 54", 66", 84"



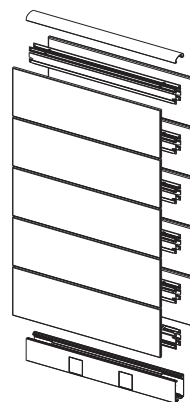
Face Style: Fully Segmented/ Fully Segmented

Basic Model: PFFA & PFFH

Fully segmented/fully segmented panels consist of two fully segmented sides and a 6" base with base power available. Fully segmented panels consist of 12" tiles. Quantity of 12" tiles is dependent upon panel height. 84" high panels include one 18" tile on top. Tiles are field replaceable. Panel also includes horizontal rails, top cap, and top cap sleeve. Acoustic or highly acoustic.

Width: 12", 18", 24", 30", 36", 42", 48", 54", 60"

Height: 30", 42", 54", 66", 84"



PANEL PRECONFIGURATIONS GLASS PANELS

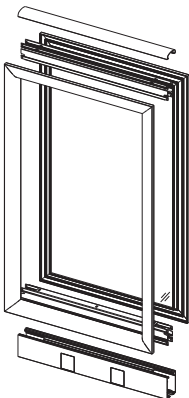
Face Style: Full Glass

Basic Model: PG

Full glass panels consist of a full height glass tile and 6" base with base power available. Panel also includes horizontal rails, top cap, and top cap sleeve.

Width: 12", 18", 24", 30", 36", 42", 48"

Height: 54", 66", 84"



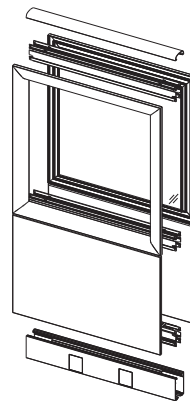
Face Style: Monolithic/Glass

Basic Model: PMMGA & PMMGH

Glass/monolithic panels consist of 24" fabric tile on bottom of both sides and remainder of panel is glass. Base is 6" with base power available. Tiles are field replaceable. Panel also includes horizontal rails, top cap, and top cap sleeve. Acoustic or highly acoustic.

Width: 12", 18", 24", 30", 36", 42", 48"

Height: 54", 66", 84"



Product Overview

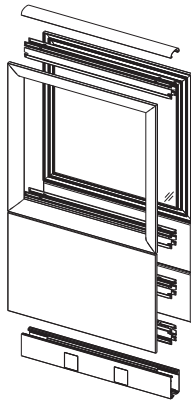
PANEL PRECONFIGURATIONS GLASS PANELS

Face Style: Monolithic/ Fully Segmented/ Glass

Basic Model: PMFGA & PMFGH

Glass/monolithic and fully segmented panels consist of a 24" tile on bottom of one side and two 12" tiles on bottom of other side; remainder of panel is glass. Base is 6" with base power available. Tiles are field replaceable. Panel also includes horizontal rails, top cap, and top cap sleeve. Acoustic or highly acoustic.

Width: 12", 18", 24", 30", 36", 42", 48"
Height: 54", 66", 84"

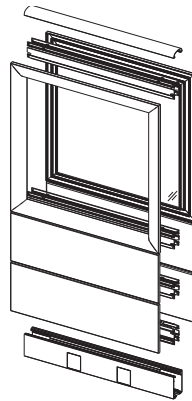


Face Style: Fully Segmented/Glass

Basic Model: PFFGA & PFFGH

Glass/fully segmented panels consist of two 12" tiles on bottom of both sides; remainder of panel is glass. Base is 6" with base power available. Tiles are field replaceable. Panel also includes horizontal rails, top cap, and top cap sleeve. Acoustic or highly acoustic.

Width: 12", 18", 24", 30", 36", 42", 48"
Height: 54", 66", 84"



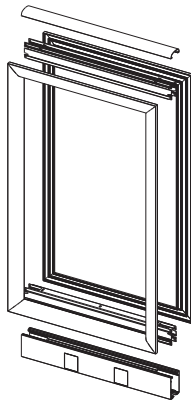
PANEL PRECONFIGURATIONS OPEN & OPEN GLASS/ PANELS

Face Style: Fully Open

Basic Model: PO

Fully open panels consist of a full height open tile. Base is 6" with base power available. Panel also includes horizontal rails, top cap, and top cap sleeve.

Width: 12", 18", 24", 30", 36", 42", 48"
Height: 30", 42", 54", 66", 84"

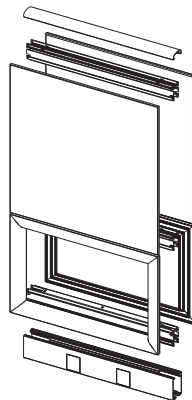


Face Style: Open/Monolithic

Basic Model: POMMA & POMMH

Open/monolithic panels consist of 24" open tile on bottom; remainder of panel is a single fabric tile on both sides. Base is 6" with base power available. Tiles are field replaceable. Panel also includes horizontal rails, top cap, and top cap sleeve. Acoustic or highly acoustic.

Width: 12", 18", 24", 30", 36", 42", 48"
Height: 42", 54", 66", 84"



Product Overview

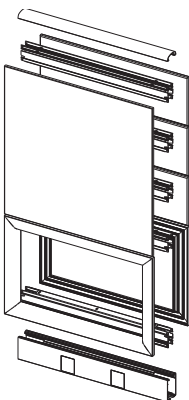
Face Style: Open/Monolithic and Fully Segmented

Basic Model: POMFA & POMFH

Open/monolithic and fully segmented panels consist of 24" open tile on bottom; remainder of panel is a single fabric tile on one side and fabric tiles in 12" increments on the other side. Quantity of 12" tiles is dependent upon panel height. 84" high panels include one 18" tile. Base is 6" with base power available. Tiles are field replaceable. Panel also includes horizontal rails, top cap, and top cap sleeve. Acoustic or highly acoustic.

Width: 12", 18", 24", 30", 36", 42", 48"

Height: 54", 66", 84"



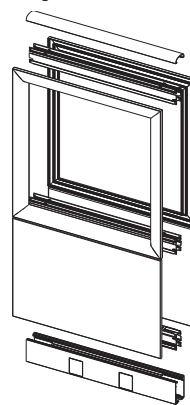
Face Style: Monolithic/Open Panels

Basic Model: PMMOA & PMMOH

Monolithic/open panels consist of 24" fabric tile on bottom on both sides and open tile on top. Base is 6" with base power available. Tiles are field replaceable. Panel also includes horizontal rails, top cap, and top cap sleeve. Acoustic or highly acoustic.

Width: 12", 18", 24", 30", 36", 42", 48"

Height: 42", 54", 66", 84"



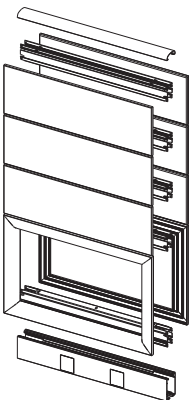
Face Style: Open/Fully Segmented

Basic Model: POFFA & POFFH

Open/fully segmented panels consist of 24" open tile on bottom; remainder of panel is fabric tiles in 12" increments on both sides. Quantity of 12" tiles is dependent upon panel height. 84" high panels include one 18" tile. Base is 6" with base power available. Tiles are field replaceable. Panel also includes horizontal rails, top cap, and top cap sleeve. Acoustic or highly acoustic.

Width: 12", 18", 24", 30", 36", 42", 48"

Height: 54", 66", 84"



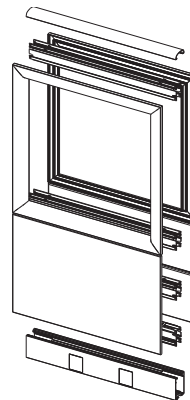
Face Style: Monolithic and Fully Segmented/Open

Basic Model: PMFOA & PMFOH

Monolithic and fully segmented/open panels consist of a 24" fabric tile on one side of bottom, two 12" tiles on the other side of bottom; remainder of panel is open tile. Base is 6" with base power available. Tiles are field replaceable. Panel also includes horizontal rails, top cap, and top cap sleeve. Acoustic or highly acoustic.

Width: 12", 18", 24", 30", 36", 42", 48"

Height: 42", 54", 66", 84"



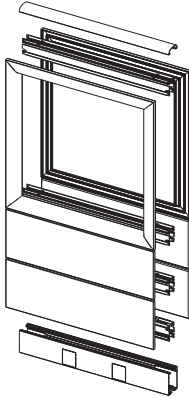
Product Overview

PANEL PRECONFIGURATIONS OPEN & OPEN/GLASS PANELS

Face Style: Fully Segmented/Open

Basic Model: PFFOA & PFFOH
Fully segmented/open panels consist of two 12" fabric tiles on bottom of both sides; remainder of panel is an open tile. Base is 6" with base power available. Tiles are field replaceable. Panel also includes horizontal rails, top cap, and top cap sleeve. Acoustic or highly acoustic.

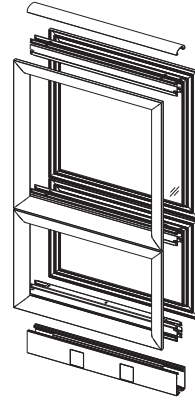
Width: 12", 18", 24", 30", 36", 42", 48"
Height: 42", 54", 66", 84"



Face Style: Open/Glass

Basic Model: POG
Glass/open panels consist of 24" open tile on bottom; remainder of panel is glass. Base is 6" with base power available. Panel also includes horizontal rails, top cap, and top cap sleeve.

Width: 12", 18", 24", 30", 36", 42", 48"
Height: 54", 66", 84"

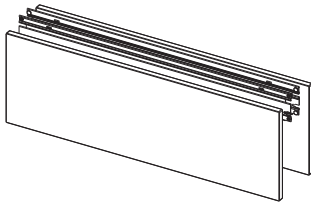


STACKABLE SECTIONS

Acoustical Stackable Section

Basic Model: PSA & PSH
Tackable tiles are mounted on vertical posts with super tough nylon hooks. Includes horizontal rail. Tiles are field replaceable. Acoustic or highly acoustic.

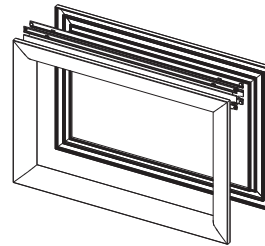
Width: 12", 18", 24", 30", 36", 42", 48", 54", 60"
Height: 12", 18", 24"



Open Stackable Section

Basic Model: PSO
Open tile is mounted on vertical posts with super tough nylon hooks. Includes horizontal rail. Tiles are field replaceable.

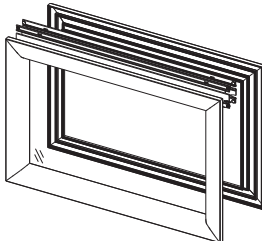
Width: 12", 18", 24", 30", 36", 42", 48"
Height: 12", 18", 24"



Glass Stackable Section

Basic Model: PSG
Full glass tile is mounted on vertical posts with super tough nylon hooks. Includes horizontal rail. Tiles are field replaceable. Acoustic or highly acoustic.

Width: 12", 18", 24", 30", 36", 42", 48"
Height: 12", 18", 24"



Product Overview

DOOR COMPONENTS

Door

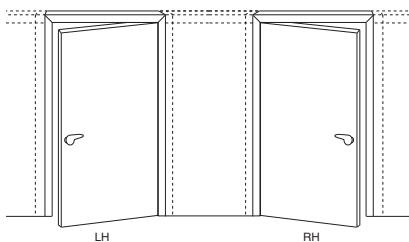
Basic Model: PDR

Laminate surface on door. Locking and non-locking options. 42" door meets all ADA requirements.

Note: Door includes trim and horizontal rail. Vertical posts must be ordered separately. Doors must be ordered RH (Right Hand) or LH (Left Hand).

Height: 80" door height (for 84" panel height)

Width: 36" opening (for 42" panel)

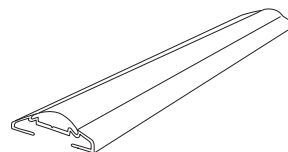


Door Threshold

Basic Model: PDRTH

Extruded aluminum door threshold with rubber seal strip. Attaches to bottom of door frame.

Width: 42" (used with 36" opening)



Rolling Screen Door

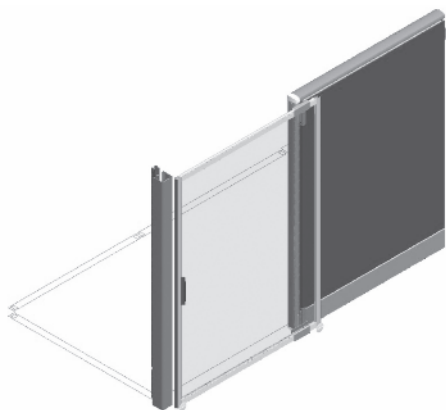
Basic Model: RSD

Provides non-locking visual security.

Aluminum frame with clear or frosted (opal) fluted plastic core. Acrylic wheels allow ease of travel across flooring. Door mounts to a 66" or higher panel and spans across a 42" opening. Frame and mounting brackets are powdercoated to match panel trim color.

Height: 66" door height (for 66" or taller panel height)

Width: 48" screen for a 42" opening



Product Overview

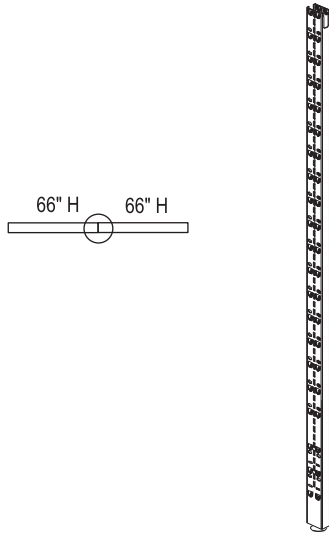
INTERSECTION CONDITIONS

180° 2-Way In-line Connection Both Panels Same Height

Basic Model: PFP

Includes full post, light shield, and adjustable glide.

Heights: 30", 42", 54", 66", 84"

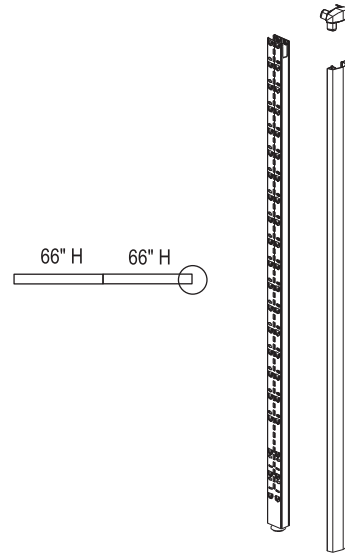


End-of-Run Condition

Basic Model: PEP

Includes end-of-run trim, top cap, full-height post, light shield, and adjustable glide.

Heights: 30", 42", 54", 66", 84"

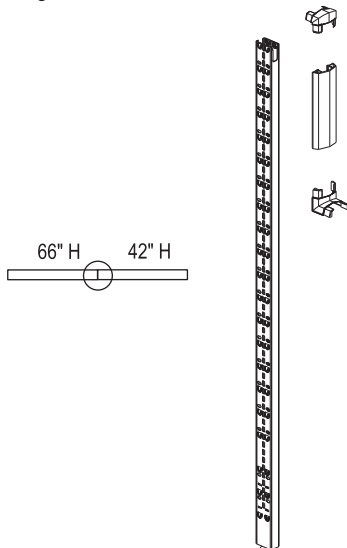


180° In-line Connection Two Different Heights

Basic Model: PFPV

Includes full post, in-line height change trim, in-line height change bottom cap, in-line height change top cap, light shield, and adjustable glide. Unupholstered only.

Heights: 30", 42", 54", 66", 84"

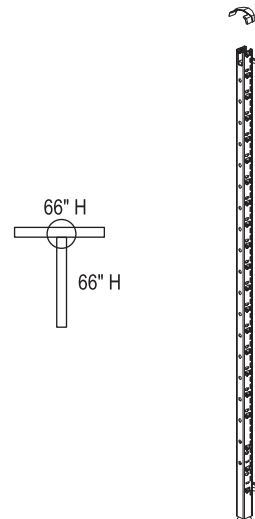


Off-Module Post

Basic Model: POMP

Includes off-module top trim end cap, off-module half post, light shield, and adjustable glide.

Heights: 30", 42", 54", 66", 84"



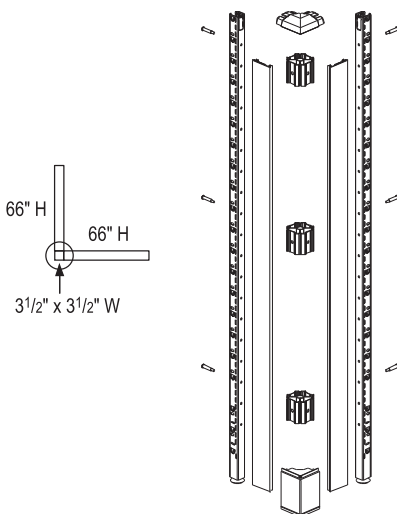
Product Overview

90° 2-Way "L" Corner Both Panels Same Height

Basic Model: PCP90 or PCPF90

Includes two half posts, 90° corner base, 90° top cap, hardware, universal trim, light shield, and adjustable glide. Unupholstered or upholstered.

Heights: 30", 42", 54", 66", 84"

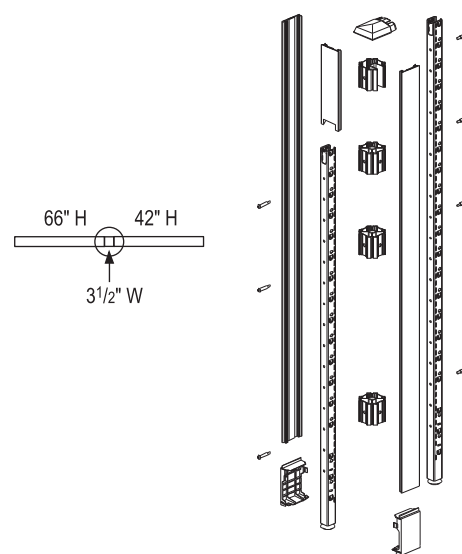


180° 2-Way In-line Spacer Two Different Heights

Basic Model: PSPV180 or PSPVF180

Includes 3-way base, one way top cap, two half posts, hardware, universal trim, light shield, and adjustable glide. Unupholstered or upholstered.

Heights: 30", 42", 54", 66", 84"

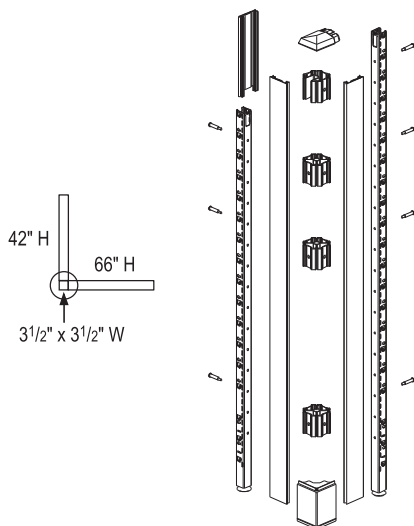


90° 2-Way "L" Corner Two Different Heights

Basic Model: PCPV90 or PCPVF90

Includes one way top cap, 90° corner base, height change, two half posts, hardware, universal trim, light shield, and adjustable glide. Unupholstered or upholstered.

Heights: 30", 42", 54", 66", 84"

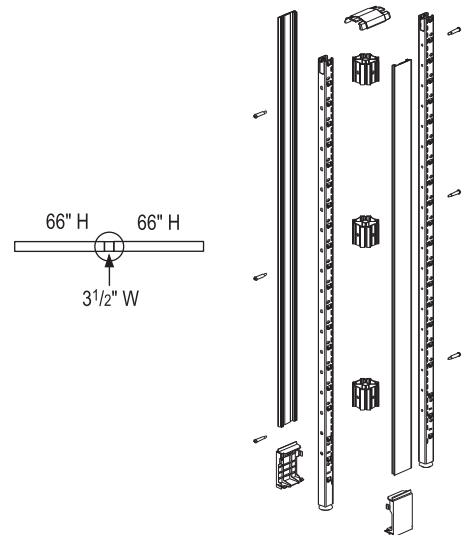


180° 2-Way In-line Spacer Both Panels Same Height

Basic Model: PSP180 or PSPF180

Includes 180° top cap, 3-way trim & base, two half posts, hardware, universal trim, light shield, and adjustable glide. Unupholstered or upholstered.

Heights: 30", 42", 54", 66", 84"

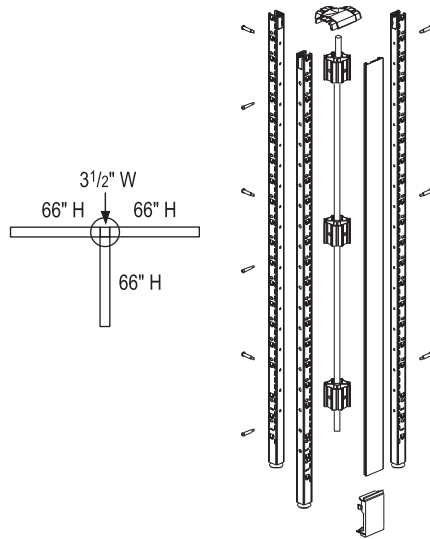


Product Overview

INTERSECTION
CONDITIONS**3-Way "T" Intersection with 3-Way Cap
All Panels Same Height**

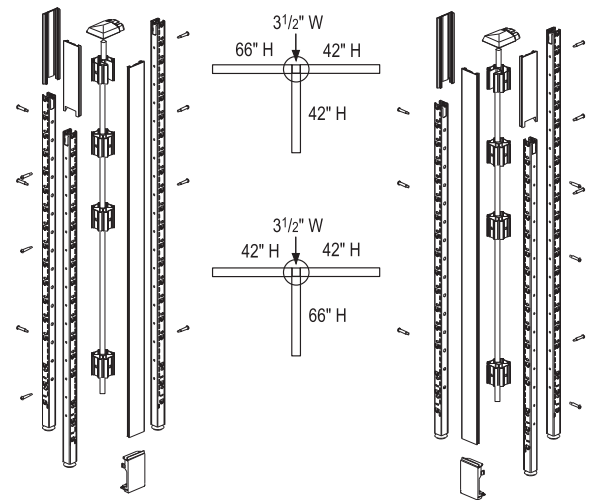
Basic Model: PTP3W or PTPF3W
Includes 3-way top cap, base, three half posts, hardware, universal trim.
Unupholstered or upholstered.

Heights: 30", 42", 54", 66", 84"

**3-Way "T" Intersection with Dead End Cap
Two Different Heights**

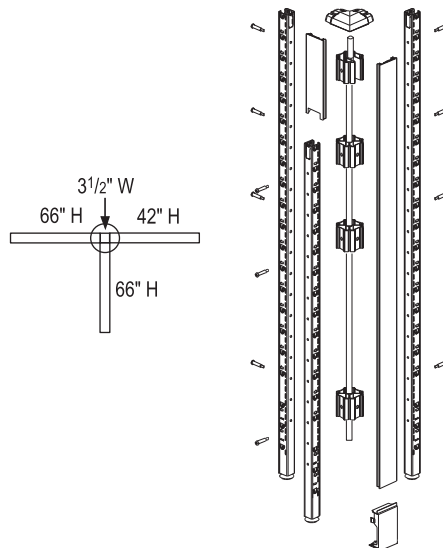
Basic Model: PTPV1W or PTPVF1W
Includes dead end top cap, three half posts, 3-way base, hardware, universal trim.
Unupholstered or upholstered. Can be assembled two ways, as shown.

Heights: 30", 42", 54", 66", 84"

**3-Way "T" Intersection with 90° Top Cap
Two Different Heights**

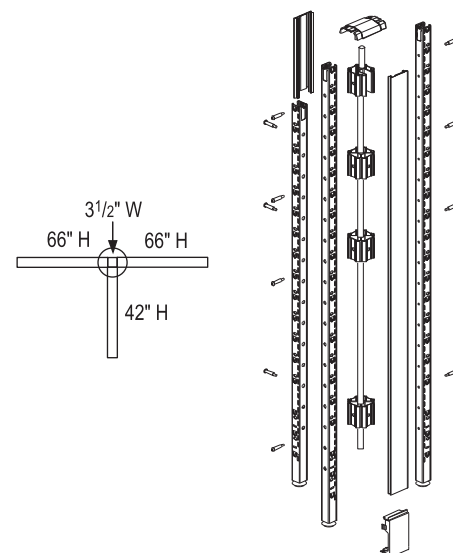
Basic Model: PTPV90 or PTPVF90
Includes 90° top cap, 3-way base, three half posts, hardware, universal trim.
Unupholstered or upholstered.

Heights: 30", 42", 54", 66", 84"

**3-Way "T" Intersection with 180° Top Cap
Two Different Heights**

Basic Model: PTPV180 or PTPVF180
Includes 180° top cap, 3-way base, three half posts, hardware, universal trim.
Unupholstered or upholstered.

Heights: 30", 42", 54", 66", 84"



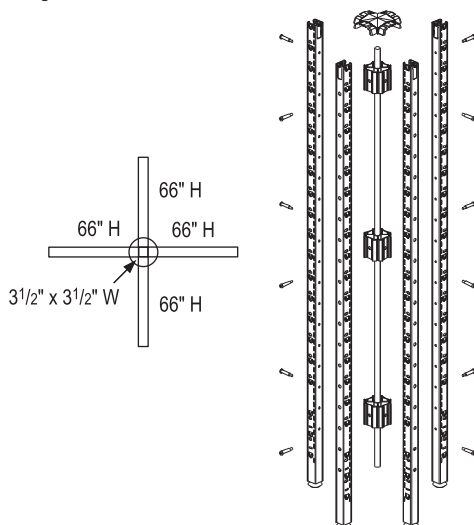
Product Overview

4-Way "X" Intersection with 4-Way Top Cap All Panels Same Height

Basic Model: PXP4W

Includes 4-way top cap & 4-way light block, four half posts, hardware. Upholstered only.

Heights: 30", 42", 54", 66", 84"

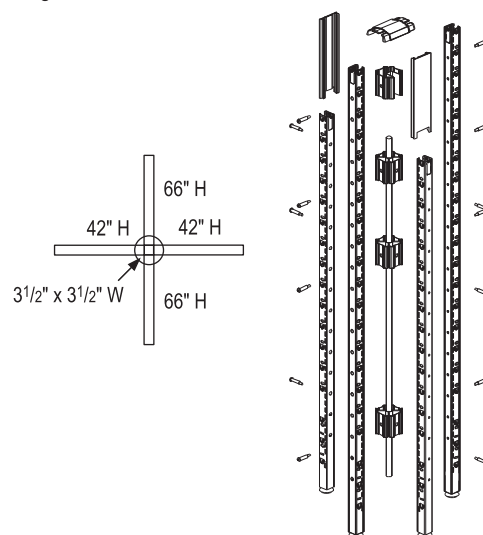


4-Way "X" Intersection with 180° Top Cap Two Different Heights

Basic Model: PXPV180 or PXPVF180

Includes 180° top cap, 4-way light block, four half posts, hardware, universal trim. Upholstered or upholstered.

Heights: 30", 42", 54", 66", 84"

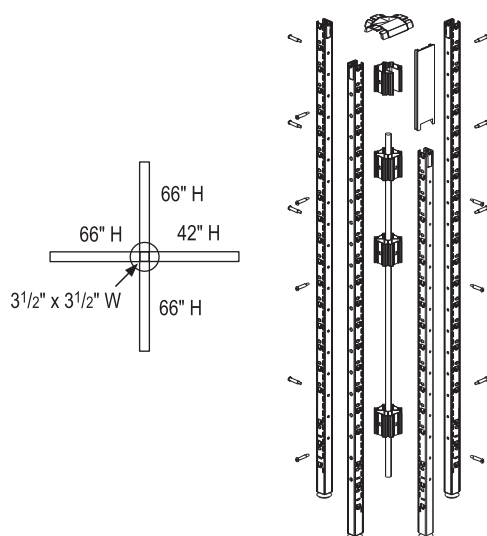


4-Way "X" Intersection with 3-Way Top Cap Two Different Heights

Basic Model: PXPV3W or PXPVF3W

Includes 4-way light block, 3-way top cap, four half posts, hardware, universal trim. Upholstered or upholstered.

Heights: 30", 42", 54", 66", 84"

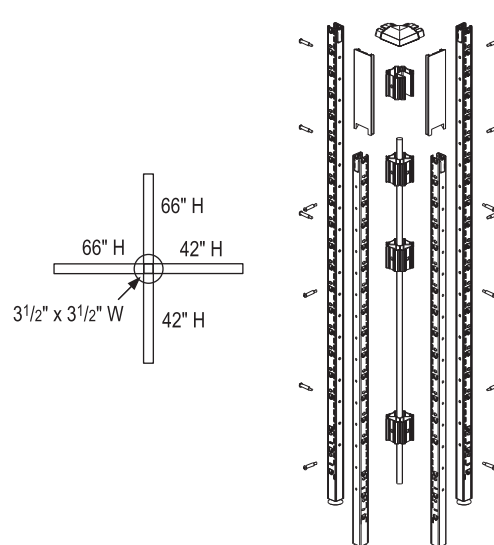


4-Way "X" Intersection with 90° Top Cap Two Different Heights

Basic Model: PXPV90 or PXPVF90

Includes 90° top cap, 4-way light block, four half posts, hardware, universal trim. Upholstered or upholstered.

Heights: 30", 42", 54", 66", 84"



Product Overview

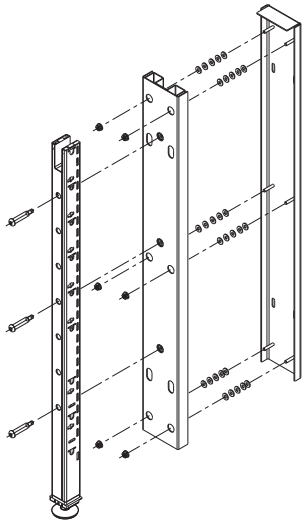
WALL MOUNT COMPONENTS

Adjustable Wall Mount

Basic Model: PWM

Attaches to building wall to accommodate the attachment of a half post frame component. Includes half post and assembly hardware. No wall attachment hardware included

Heights: 30", 42", 54", 66", 84"



Wall Track

Basic Model: PWT

Double-slotted track accommodates wall mounting of overhead components and work-surfaces. No wall attachment hardware included.

Heights: 30", 66", 84" only



STACKABLE INTERSECTIONS

180° 2-Way In-Line Connection Both Panels Same Height

Basic Model: PSFP

Includes two stackable half posts, two stackable height change trim, corner connector block. Unupholstered only.

Heights: 12", 18", 24"

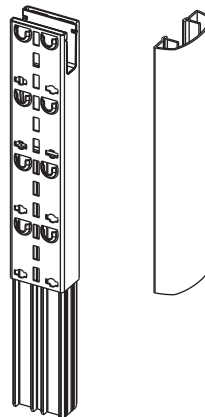


End-Of-Run Condition

Basic Model: PSEP

Includes stackable end-of-run trim, stackable full post. Unupholstered only.

Heights: 12", 18", 24"



Product Overview

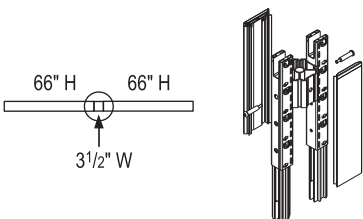
STACKABLE INTERSECTIONS

180° 2-Way In-Line Spacer Both Panels Same Height

Basic Model: PSSP or PSSPF

Includes stackable in-line trim, two stackable half posts, corner connector block. Use top caps from existing lower panels. Unupholstered or upholstered.

Heights: 12", 18", 24"

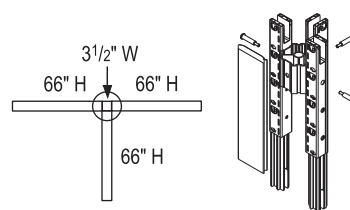


3-Way "T" Intersection with 3-Way Cap All Panels Same Height - AAA

Basic Model: PSTP3W or PSTPF3W

Includes stackable universal trim (height change), three stackable half posts, corner connector block. Use top caps from existing lower panels. Unupholstered or upholstered.

Heights: 12", 18", 24"

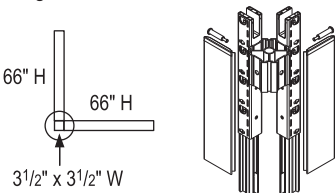


90° 2-Way "L" Corner Both Panels Same Height

Basic Model: PSCP or PSCPF

Includes two pieces of stackable universal trim (height change), two stackable half posts, corner connector block. Use top caps from existing lower panels. Unupholstered or upholstered.

Heights: 12", 18", 24"

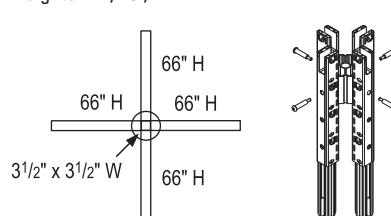


4-Way "X" Intersection with 4-Way Top Cap All Panels Same Height

Basic Model: PSXP4W

Includes four stackable half posts, corner connector block, 4-way light block. Use top caps from existing lower panels. Unupholstered only.

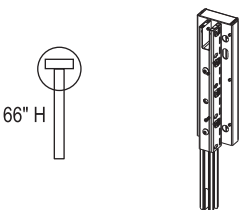
Heights: 12", 18", 24"



Stackable Adjustable Wall Mount

Basic Model: PSWM

Includes mounting plate and stackable half posts. Hardware for wall attachment not included. Attaches a stackable panel to a wall at the start of a run. Adjustable up to 1" to correct wall deflection. Steel construction with painted finish.



Heights: 12", 18", 24"

Product Overview

PANEL COMPONENTS FRAME COMPONENTS

Full Vertical Post

Basic Model: 46.0000.XX (XX = height in inches)
Joins two full height panels in-line. Includes light block and adjustable glide.

Heights: 30", 36", 42", 48", 54", 60", 66", 72", 78", 84"



Half Vertical Post

Basic Model: 46.0001.XX (XX = height in inches)
One used for each panel in an intersection condition. Includes light block and adjustable glide.

Heights: 30", 36", 42", 48", 54", 60", 66", 72", 78", 84"



Stackable Full Vertical Post

Basic Model: 46.0000.XX (XX = height in inches)
Adds height to a full vertical post. Bottom portion fits into full vertical post underneath it. Includes light block.

Heights: 12", 18", 24"



Stackable Half Vertical Post

Basic Model: 46.0001.XX (XX = height in inches)
Adds height to a half vertical post. Bottom portion fits into half vertical post underneath it. Includes light block.

Heights: 12", 18", 24"



Corner Connector Block

Basic Model: 46.0022

Connects half posts together at an intersection.



Corner Height Change Connector Block

Basic Model: 46.0021

Connects half posts together at an intersection when panels are different heights. Integral "U" shaped channel manages 24 - 0.20 dia cables between top troughs of adjacent panels.

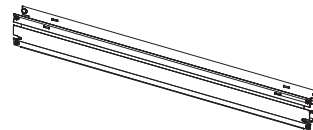


Horizontal Rail

Basic Model: 46.0002.XX (XX = width in inches)

Creates the panel width. Also provides mounting location for power. Rails can be added at any time.

Widths: 12", 18", 24", 30", 36", 42", 48", 54", 60"

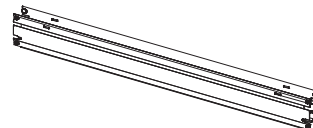


Enhanced Horizontal Rail

Basic Model: 46.0630.XX (XX = width in inches)

Creates the panel width. Also provides mounting location for power. Enhanced Rails provide additional strength for unsupported panel runs. See page 39 for areas of usage.

Widths: 12", 18", 24", 30", 36", 42", 48", 54", 60"

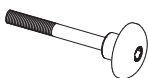


Product Overview

PANEL COMPONENTS FRAME COMPONENTS

Shoulder Bolt

Basic Model: 46.0679
Connects through half posts into corner connector block to create intersection conditions.

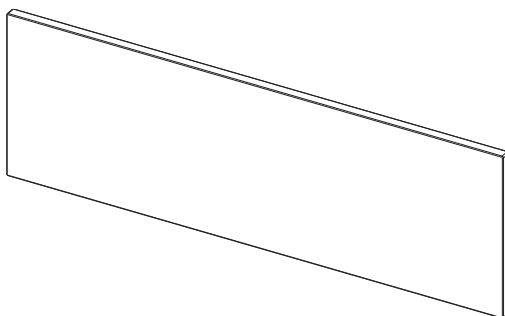


PANEL COMPONENTS TILE COMPONENTS

Tackable Acoustical Tiles

Basic Model: UP65NRC & UP80NRC
Hangs on the frame to provide aesthetics and sound absorption. Provides a $\frac{3}{8}$ " gap between vertical post and tile to allow passage of data cables. Tiles are field replaceable. NRC of .65 or .80.

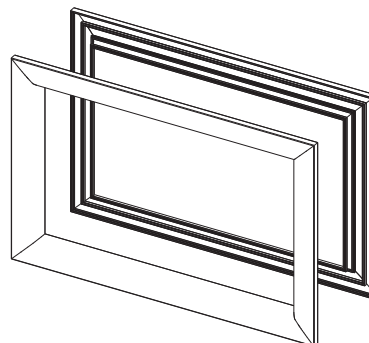
Width: 12", 18", 24", 30", 36", 42", 48", 54", 60"
Height: 12", 18", 24", 30", 36", 42", 48", 54", 60", 66", 72", 78"



Open Tile

Basic Model: POT
Creates pass-throughs when positioned above the worksurface and enhances air circulation when positioned below the worksurface. Allows for 24 - 0.20 dia data cables to be managed vertically on both sides of opening.

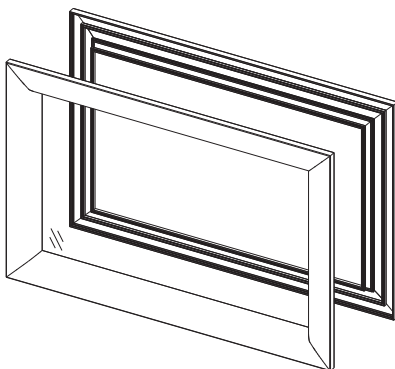
Width: 12", 18", 24", 30", 36", 42", 48"
Height: 12", 18", 24", 30", 36", 42", 48", 54", 60", 66", 72", 78"



Glass Tile

Basic Model: PGT
Creates windows. Allows for 24 - 0.20 dia data cables to be managed vertically on both sides of glass.

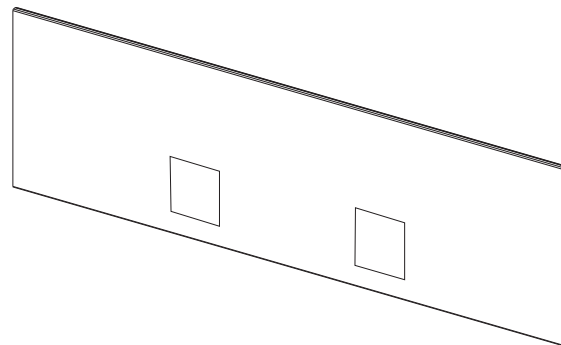
Width: 12", 18", 24", 30", 36", 42", 48"
Height: 12", 18", 24", 30", 36", 42", 48", 54", 60", 66", 72", 78"



Raceway Tile

Basic Model: P1RU
Fabric covered steel tile used in conjunction with rigid wireways and receptacles. Can be hung anywhere except lowest position. Provides a gap 1" between vertical post and tile to allow passage of flexible power conduit. Includes two bezels with two filler plates for each bezel.

Width: 12", 18", 24", 30", 36", 42", 48", 54", 60"
Height: 12"



Product Overview

PANEL COMPONENTS TRIM COMPONENTS

Universal Trim (Full Height)

Basic Model: UTF or UTFF
Trims 90°, 180°, 3-way, and 4-way panel intersections. Extruded PVC with trim color permeated throughout the entire part or fabric covered.

Heights: 24", 30", 36", 42", 48", 54", 60", 66", 72", 78"
(Specify height 6" less than panel height.)



Universal Trim (Height Change)

Basic Model: UTH or UTHF
Trims 90°, 180°, 3-way, and 4-way panel intersections with variable heights. Extruded PVC with trim color permeated throughout the entire part or fabric covered.

Height: 6", 12", 18", 24", 30", 36", 42", 48", 54"
(Specify height equal to height difference between panels.)



Universal Trim (Stackable)

Basic Model: UTHS or UTHSF
Trims 90°, 180°, 3-way, and 4-way panel intersections. Extruded PVC with trim color permeated throughout the entire part or fabric covered.

Heights: 12", 18", 24"
(Specify height equal to height difference between panels.)



Top Cap

Basic Model: 46.0040.XX (XX = trim color code)
Finishes horizontal trim on top of panels. Extruded PVC with trim color permeated throughout the entire part.

Width: 12", 18", 24", 30", 36", 42", 48", 54", 60"



One Way Top Cap

Basic Model: 46.0090.XX (XX = trim color code)
Finishes the top at a 90°, 180°, T, or X intersection where one panel is taller than all of the other panels. Nylon with trim color permeated throughout the entire part.



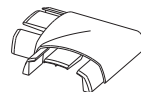
180° Top Cap

Basic Model: 46.0089.XX (XX = trim color code)
Finishes top between two same-height panels in a 180° intersection. Nylon with trim color permeated throughout the entire part.



90° Top Cap

Basic Model: 46.0088.XX (XX = trim color code)
Finishes top between two same-height panels in a 90° intersection. Nylon with trim color permeated throughout the entire part.



3-Way Top Cap

Basic Model: 46.0091.XX (XX = trim color code)
Finishes top between three same-height panels in a 3-way intersection. Nylon with trim color permeated throughout the entire part.



4-Way Top Cap

Basic Model: 46.0042.XX (XX = trim color code)
Finishes top between four same-height panels in a 4-way intersection. Nylon with trim color permeated throughout the entire part.



Product Overview

End Trim with Cap

Basic Model: PET

Finishes vertical end of full height panels. Extruded PVC with trim color permeated throughout the entire part. Includes molded top cap.

Height: 30", 36", 42", 48", 54", 60", 66", 72", 78", 84"
(Specify height equal to height of panel.)



Stackable End Trim

Basic Model: PSET

Finishes vertical end of stackable panels. Extruded PVC with trim color permeated throughout the entire part.

Height: 12", 18", 24"

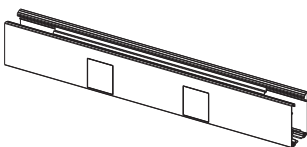


Base Trim/Raceway

Basic Model: 46.0017.XX (XX = width in inches)

Encloses rigid wireway at bottom of panel. All raceways (30" and wider) include two filler plates on each side into which bezels for receptacles can be placed. Filler plates can be opened or closed as required. Raceways 24" wide include one filler plate per side. Raceways 12", 18" wide do not include filler plates or holes. All raceways utilize hinged doors instead of covers. All raceways have a solid bottom. Extruded PVC with trim color permeated throughout the entire part.

Width: 12", 18", 24", 30", 36", 42", 48", 54", 60"



0° Base Trim

Basic Model: 46.0039.XX (XX = trim color code)

Finishes base corners of two panels at 90° angle. Super tough nylon with trim color permeated throughout the entire part.

Height: 6"

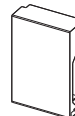


3-Way "T" Base Trim

Basic Model: 46.0038.XX (XX = trim color code)

Finishes base of three panel intersection. Super tough nylon with trim color permeated throughout the entire part.

Height: 6"



In-Line Height Change Trim

Basic Model: PVET

Finishes vertical end of different height panels, including stackable sections. Extruded PVC with trim color permeated throughout the entire part.

Height: 6", 12", 18", 24", 30", 36", 42", 48", 54"



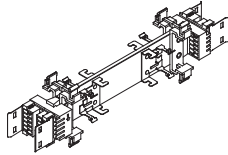
Product Overview

PANEL COMPONENTS ELECTRICAL COMPONENTS

Rigid Wireway Add-on Kits

Basic Model: PWET6WW or PWET4WW
Distributes 10-wire power and allows receptacle mounting. Two super tough nylon mounting clips are attached. Wireway can be mounted inside the base raceway or any raceway tile.

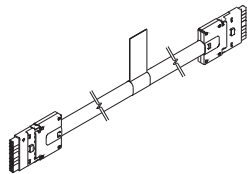
For Panel Widths: 24", 30", 36", 42", 48", 54", 60"



Power Pass Through

Basic Model: PWET6PP or PWET4PP
Provides continuation of power between two powered panels. Consists of flexible conduit with ten conductors and a connector on each end. Receptacle access is not provided.

- Provides continuation of power in a non-powered panel when powered panels are on either side.
- 12" and 18" widths use one horizontal jumper; all other sizes use two horizontal jumpers. 12" and 18" have one male end and one female end.

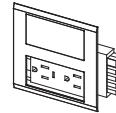


For Panel Widths: 12", 18", 24", 30", 36", 42", 48", 54", 60"

Receptacles & Bezels

Basic Model: PWET6RC or PWET4RC
Attaches to wireways of powered panels. Rated at 15 amps @ 120 volts. Isolated circuit receptacles are stamped with orange lettering to indicate independent, neutral, and isolated ground. Includes one filler plate which can be removed to accept standard modular furniture data plates, or reversed to allow cables to pass directly through raceway tile or door. Receptacles and bezels can be used at any height. Bezel and filler plate are nylon with trim color permeated throughout.

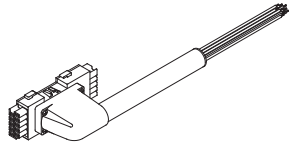
Isolated Receptacles:	442	622
	3I	4I
	4I	5I
		6I



Product Overview

Universal Base Infeed

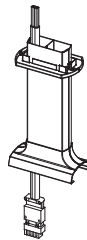
Basic Model: PWET6BF or PWET4BF
Fills one receptacle hole at base only. Includes bezel and filler plate. Color specific. 6' in length. Non-handed.



Universal Top Feed

Basic Model: PWET6TF or PWET4TF
Includes electrical infeed, extruded aluminum power pole, and panel & ceiling trim. Two cavity design keeps power separate from data. Each cavity can manage four power infeeds or 36 - 0.20 dia cables. Color specific.

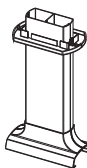
Length: 7', 10'



Data Feed

Basic Model: PDF
Includes extruded aluminum power pole and panel & ceiling trim. Two cavity design keeps power separate from data. Each cavity can manage four power infeeds or 36 - 0.20 dia cables. Color specific.

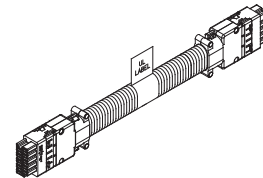
Length: 7', 10'



Panel Power Connectors: Short Vertical Jumper

Basic Model: PWET6VJ.20 or PWET4VJ.20
Jumps power from ADA to worksurface, or worksurface to standing height.

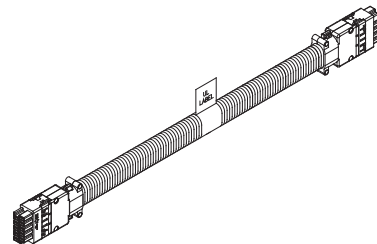
Length: 20"



Panel Power Connectors: Long Vertical Jumper

Basic Model: PWET6VJ.56 or PWET4VJ.56
Jumps power from base to ADA, worksurface, or standing height.

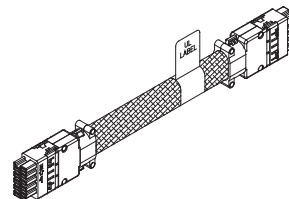
Length: 56"



Panel Power Connectors: Short Horizontal Jumper

Basic Model: PWET6PJ.17 or PWET4PJ.17
For in-line and 90° corner intersections.

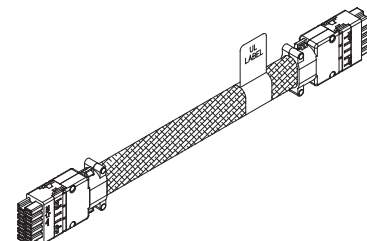
Length: 17"



Panel Power Connectors: Long Horizontal Jumper

Basic Model: PWET6PJ.20 or PWET4PJ.20
For straight through "T" intersections.

Length: 20"



Product Overview

PANEL COMPONENTS DATA MANAGEMENT COMPONENTS

Acoustical Tile Vertical Cable Guide

Basic Model: 46.0097

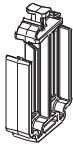
Clips into slots in vertical post. Allows cables to be laid in between vertical posts and acoustic tile. Cannot be used with raceway tile. Each 12" of panel height will accommodate two guides for every vertical post. Order in packs of 25.



Acoustical Tile Horizontal Cable Support

Basic Model: 46.0099

Clips into bottom midpoint of horizontal rail. Aligns with vertical cable guides to keep cables supported at midpoint of panel. Cable supports gang vertically. Can also support loops of cable. Cannot be used with raceway tile, when cable trough is utilized. Order in packs of 25.



Top Trough Cable Guard - Full Post

Basic Model: 46.0047

Inserts into top of full post. Protects cables in top trough from steel edges of vertical post. Included with purchase of vertical post.



Top Trough Cable Guard - Half Post

Basic Model: 46.0048

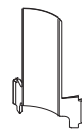
Inserts into top of half post. Protects cables in top trough from steel edges of vertical post. Included with purchase of vertical post.



Acoustical Tile 90° Cable Guard

Basic Model: 46.0096

Clips into slots in vertical half post. Allows cables to be laid in between vertical half posts and acoustic tile at the inside of a 90° corner. Cannot be used with raceway tile. Need two guides per 12" high tile. Order in packs of 25.



Horizontal Rail Cable Guard

Basic Model: 46.0098

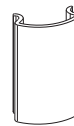
Clips into end notch of horizontal rail. Protects cables when managed from top trough through notch to a different height within the panel. Order in packs of 25.



Top Cap 90° Cable Guard

Basic Model: 46.0200

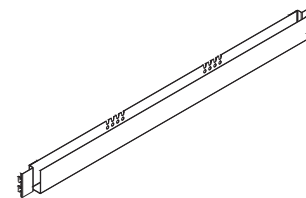
Clips between vertical half posts in alignment with top trough. Protects cables when managed 90° between top troughs of adjacent panels. Order in packs of 25.



Raceway Tile Cable Trough

Basic Model: 46.0072

Manages cables behind raceway tile. Included with purchase of raceway tile.



Product Overview

WORKSURFACES/ ACCESSORIES

Worksurfaces consist of 1¼" particleboard with high-pressure laminate. Edges are available in flat vinyl T-edge (BN), 2mm PP edges (3L) and postformed/elliptical front edges with color matched vinyl edge banding (PL). Edge availability may vary with each worksurface type. Refer to the PowerWorks Product Offering Catalog for available edge types.

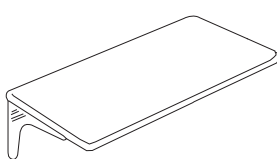
Rectangular Worksurfaces

Basic Model: PWR

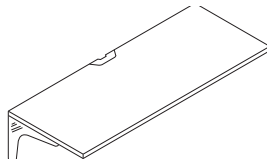
Includes worksurface supports. Cantilevers allow mounting to panels at 1" height increments. Worksurfaces are predrilled for suspended pedestals. 60" worksurfaces contain two steel reinforcing bars. All surfaces 66" and longer are provided with an additional left hand cantilever bracket.

Optional 3" diameter grommet is available on vinyl T-edge worksurfaces. Postformed/elliptical and 2mm PP edge worksurfaces up to 54" have one 2½" x 6" grommet, 60" to 96" have two grommets.

Width: 18", 24", 30", 36", 42", 48", 54", 60", 66", 72", 78", 84", 90", 96"
Depth: 24", 30" (18" width not available with 30" depth).



Flat Vinyl T-Edge (BN)



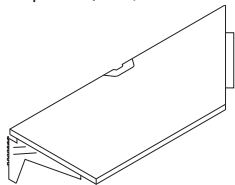
2mm PP Edge (3L)
Postformed/Elliptical
Edge (PL)

Mitered Rectangular Worksurfaces

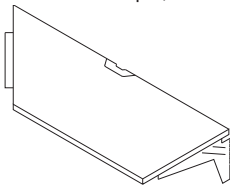
Basic Model: PWM

Includes worksurface supports. Cantilevers allow mounting to panels at 1" height increments. Worksurfaces are predrilled for suspended pedestals. All surfaces 66" and longer are provided with an additional left hand cantilever bracket. Worksurfaces up to 78" have one 2½" x 6" grommet, 84" to 96" have two grommets.

Width: 30", 36", 42", 48", 54", 60", 66", 72", 78", 84", 90", 96"
Depth: 24", 30" (30" width not available with 30" depth)



(Left)



(Right)

"P" Shaped Peninsula Worksurfaces

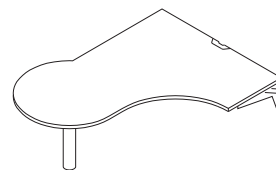
Basic Model: PWPT

Includes worksurface supports. Round end is supported by 3" diameter metal column with adjustable glide. Glide adjusts 4" in height. Cantilevers allow mounting to panels at 1" height increments. 72" worksurfaces contain two steel reinforcing bars. Worksurfaces have one 2½" x 6" grommet centered on rear edge.

24"D x 48"W x 60"L

24"D x 48"W x 72"L

30"D x 48"W x 72"L



(Left shown)

Piano Peninsula Worksurfaces

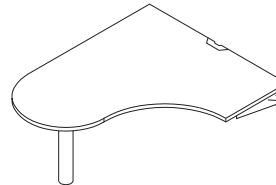
Basic Model: PWPP

Includes worksurface supports. Cantilevers allow mounting to panels at 1" height increments. 72" worksurfaces contain two steel reinforcing bars. Round end is supported by 3" diameter metal column with adjustable glide. Glide adjusts 4" in height. Worksurfaces have one 2½" x 6" grommet centered on rear edge.

24"D x 48"W x 60"L

24"D x 48"W x 72"L

30"D x 48"W x 72"L



(Left shown)

Product Overview

WORKSURFACES/ ACCESSORIES

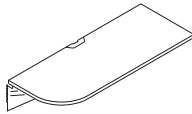
Radius Corner Peninsula Worksurface

Basic Model: PWRC

Includes worksurface supports. Cantilevers allow mounting to panels at 1" height increments. 60" worksurfaces contain two steel reinforcing bars. All surfaces 66" and longer are provided with an additional left hand cantilever bracket. Worksurfaces have one grommet on 48" wide and two grommets on 60" and 72" wide.

Width: 48", 60", 72"

Depth: 24", 30"



(Left shown)

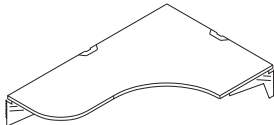
Radius Shoe Worksurfaces

Basic Model: PWSP

Includes worksurface supports. Cantilevers allow mounting to panels at 1" height increments. 60" worksurfaces contain two steel reinforcing bars. All surfaces 66" and longer are provided with an additional left hand cantilever bracket. Worksurfaces have one 2 1/2" x 6" grommet centered on side and rear edges.

Width: 48" Length: 60", 66", 72", 84"

Depth: 24", 30" (60" width not available with 30" depth)



(Left shown)

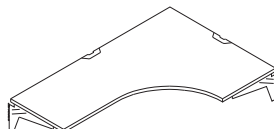
Square Shoe Worksurfaces

Basic Model: PWSS

Includes worksurface supports. Cantilevers allow mounting to panels at 1" height increments. 60" worksurfaces contain two steel reinforcing bars. All surfaces 66" and longer are provided with an additional left hand cantilever bracket. Worksurfaces have one 2 1/2" x 6" grommet centered on side and rear edges.

Width: 48" Length: 60", 66", 72", 84"

Depth: 24", 30" (60" width not available with 30" depth)



(Left shown)

Conference End Worksurfaces

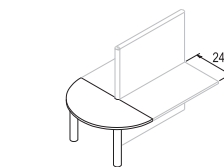
Basic Model: PWCE

Includes worksurface supports. Conference End worksurfaces attach to the ends of two panel hung worksurfaces 24" or 30" deep at 29" to 33" in height. Includes two 3" diameter metal columns with adjustable glides. Glide adjusts 4" in height. Includes brackets to attach to adjacent worksurfaces.

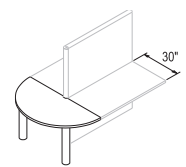
Width: 51 1/2" (to span two 24" deep worksurfaces)

Depth: 25" or 31" Width: 63 1/2" (to span two 30" deep worksurfaces)

Depth: 31" or 37"



51 1/2" width



63 1/2" width

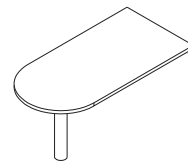
"D" Shaped Peninsula Worksurfaces

Basic Model: PWP

Includes worksurface supports. D-shaped worksurfaces end mount to panels. Cantilevers allow mounting to panels at 1" height increments. The round end is supported by a 3" diameter metal column with adjustable glide. Glide adjusts 4" in height. Includes mounting hardware. 72" worksurfaces contain two steel reinforcing bars. Flat vinyl T-edge is available with a 3" diameter grommet (30" or 36" edge only).

Width: 48", 60", 72"

Depth: 30", 36" (48" width not available with 36" depth)



Product Overview

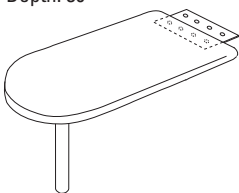
“D” Shaped Peninsula Worksurface Mounts to Another Worksurface

Basic Model: PWSMP

Includes worksurface support. D-shaped worksurfaces side mount to worksurfaces at 29–33" height. The round end is supported by a 3" diameter metal column with adjustable glide. Glide adjusts 4" in height. 72" worksurfaces contain two steel reinforcing bars. Includes mounting hardware.

Width: 48", 60", 72"

Depth: 30"



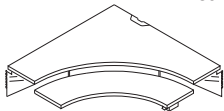
Dual Curvilinear 90° Corner Worksurface with PositionMate

Basic Model: PWDC

Rear surface remains stationary and front surface provides height and tilt adjustment. Variable height adjustment mechanism adjusts 5³/₄" below and 7" above surface. Tilt adjustment of 9° positive and 15° negative. Spring assist mechanism will lift five pounds of equipment located on the keyboard surface. Higher capacity mechanisms are available as a special order. Worksurfaces have one 2¹/₂" x 6" grommet located 12" from rear corner along right rear edge.

24" x 42" x 24"

30" x 48" x 30"



24" x 48" x 24"

Wing Option 90° Corner Worksurface

Basic Model: PWW

Includes worksurface support. Front edge of worksurface is recessed. Worksurface is predrilled to accept adjustable keyboard tray. A left-hand cantilever is provided for rear corner. Worksurface is predrilled to accept adjustable keyboard arm. Cantilevers allow mounting at 1" height increments. PP and postformed edge worksurfaces have one 2¹/₂" x 6" grommet located 12" from rear corner along right rear edge.

24" x 42" x 24"

30" x 48" x 24"

24" x 48" x 30"

30" x 48" x 30"

24" x 48" x 24"



Diagonal 90° Corner Worksurface

Basic Model: PWD

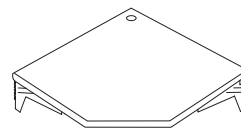
Worksurfaces provide a straight front edge to access corner work area. A left-hand cantilever is provided for rear corner.

Worksurface is predrilled to accept adjustable keyboard tray. Cantilevers allow mounting at 1" height increments. Vinyl T-edge worksurface has 3" diameter grommet. PP and postformed edge worksurfaces have one 2¹/₂" x 6" grommet located 12" from rear corner along right rear edge.

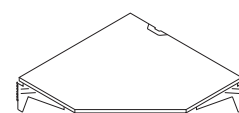
Width: 36", 42", 48"

Depth: 24", 30"

See Price List for exact sizes.



Flat Vinyl T-Edge (BN)



2mm PP Edge (3L)
Postformed/Elliptical
Edge (PL)

Curvilinear 90° Corner Worksurface

Basic Model: PWC

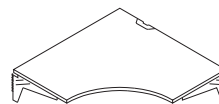
Includes worksurface supports. A left-hand cantilever is provided for rear corner.

Cantilevers allow mounting at 1" height increments. Worksurface is predrilled to accept adjustable keyboard arm. Worksurfaces have one 2¹/₂" x 6" grommet located 12" from rear corner along right rear edge.

Width: 36", 42", 48"

Depth: 24", 30"

See Price List for exact sizes.



Product Overview

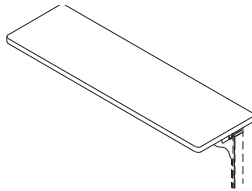
WORKSURFACES/ ACCESSORIES

Straight Countertops

Basic Model: PWCT

Countertop extends 4" over the top of the panel to comply with ADA guideline 4.4.1. Brackets, which are mounted on inside of station, include steel locking clips to prevent dislodgement. Countertops accept task light. *If countertop is installed adjacent to an in-line height change full post, a notch must be specified on the left, right, or both sides of the worksurface.

Width: 24", 30", 36", 42", 48", 54", 60", 66", 72", 78", 84"
Depth: 16"

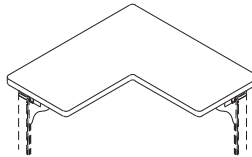


90° Countertops

Basic Model: PW90

To be used with 36" or 42" high panels. Brackets are mounted on inside of station; include steel locking clips to prevent dislodgement. Single piece construction. *If countertop is installed adjacent to an in-line height change full post, a notch must be specified on the left, right, or both sides of the worksurface.

Width: 24", 30", 36"
Depth: 16"

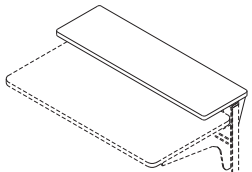


Straight Countertops - Wheelchair Height

Basic Model: PWCTWC

For use with 30" high panels to place countertop no higher than 34" to comply with ADA guideline 4.32.4. Countertop extends no more than 4" into the aisle to comply with ADA guideline 4.4.1. Brackets, which are mounted on inside and outside of station, include steel locking clips to prevent dislodgement. *If countertop is installed adjacent to an in-line height change full post, a notch must be specified on the left, right, or both sides of the worksurface.

Width: 24", 30", 36", 42", 48", 54", 60", 66", 72", 78", 84"
Depth: 16"



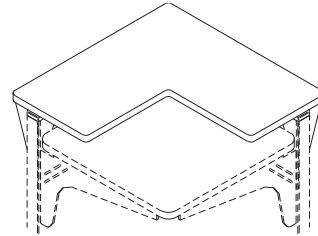
90° Countertops - Wheelchair Height

Basic Model: PWCTWC90

For use with 30" high panels to place countertop no higher than 34" to comply with ADA guideline 4.32.4. Countertop extends no more than 4" into the aisle to comply with ADA guideline 4.4.1. Brackets, which are mounted on inside and outside of station, include steel locking clips to prevent dislodgement. Single piece construction.

*If countertop is installed adjacent to an in-line height change full post, a notch must be specified on the left, right, or both sides of the worksurface.

Width: 24", 30", 36"
Depth: 16"

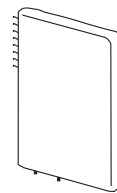


Worksurface Support Panel (Fabric/Laminate) or (Laminate/Laminate)

Basic Model: PWSSP or PWSSL

Support panel provides additional worksurface support in extensive worksurface loading applications. Mounts to panels and worksurface. Adjustable glides provide leveling capability. Specify left- or right-hand depending upon side of worksurface to which the support panel mounts.

Height: 26", 29"
Depth: 24", 30"

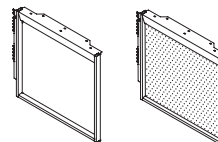


*Note: Each notch includes one grommet cover. Cover is used when countertop is moved away from an in-line height change.

Tubular Support Panels Open or Perforated Design

Basic Model: PSL or PSLI

Steel support panel provides additional worksurface support while providing open air flow. The support panel mounts to panel and worksurface. Specify left or right application.



Height: 29"
Depth: 24", 30"

Product Overview

Grommets - Field Installed

Basic Model: WSG

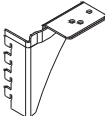
Grommets can be field-installed in worksurfaces to provide cable access where needed. For flat vinyl T-edge surfaces only.



Worksurface Support Bracket

Basic Model: PWSB

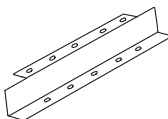
Provides auxiliary support to front edge of worksurface where pedestals or equipment requires additional worksurface support. Return panel must be equal to worksurface depth.



Worksurface Vertical Filler

Basic Model: WSVF

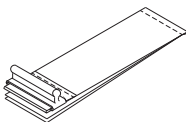
Steel bracket connects worksurface at 27" height to 29" heights. Fills gap between surfaces to prevent accidental dropping of work tools or paper.



Worksurface Wire Manager

Basic Model: WWM

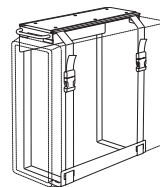
Constructed of easy-to-use, high quality black velcro. Harness is fastened to table bottom with pressure sensitive adhesive. Shipped assembled. Black only.



CPU Sling

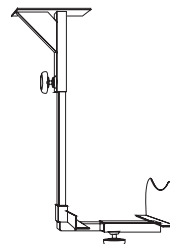
Basic Model: CPU-SLING

Vertically supports and stores CPU below the worksurface. Straps have positive locking clamps. Provides 5 1/2" of forward travel and 359° swivel. Maximum weight capacity is 75 lbs. Available in black only. Recommended for 30" deep worksurfaces. Accommodates CPU with maximum circumference of 65".



CPU Holder

The adjustable CPU holder is available in black only. Covers and security kits are also available for retrofit or replacement to the basic unit.



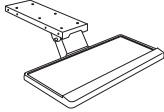
Product Overview

KEYBOARD ARMS

Fully Adjustable Keyboard Tray

Basic Model: PFAKPM

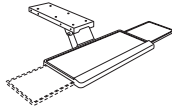
Adjustable keyboard tray mounts under 24" and 30" deep workspaces. Provides height adjustability, tilt, and storability through 359° rotation. Standard with black anti-skid/anti-static pad and molded palm rest.



Full Adjustable Keyboard Tray w/Mouse Surface

Basic Model: PKBM

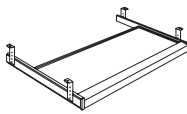
Combination keyboard and non-handed mouse tray mounts under 24" and 30" deep workspaces. Arm swivels, retracts, and has height and tilt adjustments. Standard with black anti-skid/anti-static pad and molded palm rest. Available in black only.



Sliding Keyboard Drawer

Basic Model: PKBD

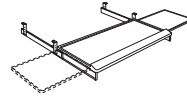
Sliding keyboard drawer mounts under 24" and 30" deep workspaces. Standard with black anti-skid/anti-static pad and molded palm rest.



Sliding Keyboard Drawer w/Mouse Surface

Basic Model: PKBDM

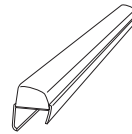
Sliding keyboard drawer with non-handed mousing surface. Mounts under 24" and 30" deep workspaces. Standard with black anti-skid/anti-static pad and molded palm rest. Available in black only.



Optional Palm Rest

Basic Model: IWR

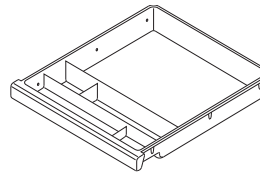
Fits on all keyboard trays and keyboard drawers. Black only.



Center Drawer

Basic Model: PCD

One piece molded construction with ball-bearing slides. Available with key alike.



Product Overview

OVERHEAD STORAGE/ ACCESSORIES

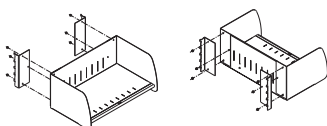
PowerWorks overhead cabinets and shelves are designed to allow the same overhead to be used on-module or off-module, by simply changing mounting brackets.

Low Shelf

Basic Model: PLS

Steel end panels and bottom shelf. Accepts shelf dividers. End panel bracket design prevents accidental dislodging of components. Shelf depth is 13 $\frac{1}{4}$ ". Includes 5" high back. Overhead tackboard and overhead tool rail can be suspended from underside of the shelf. Panel hung or off module hung. Cannot double stack off module shelves.

Width: 24", 30", 36", 42", 48", 54", 60"
Height: 9 $\frac{1}{2}$ "

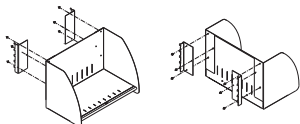


Regular Shelf

Basic Model: PRS

Steel end panels and bottom shelf. Accepts shelf dividers. End panel bracket design prevents accidental dislodging of components. Shelf depth is 13 $\frac{1}{4}$ ". Includes full back. Overhead tackboard and overhead tool rail can be suspended from underside of the shelf. Panel hung or off-module hung. Cannot double stack off module shelves.

Width: 24", 30", 36", 42", 48", 54", 60"
Height: 16 $\frac{1}{2}$ "

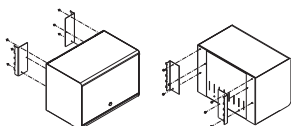


Steel Overhead Cabinet

Basic Model: PRDS

Steel bottom, top shelf, and front with powder-coat finish. End panel bracket design prevents accidental dislodging of components. Door stores recessed with PVC handle exposed. Shelf depth is 13 $\frac{1}{4}$ ". Overhead tackboard and overhead tool rail can be suspended from underside of the cabinet. Key alike is available. Panel hung or off-module hung. Cannot double stack off module cabinets.

Width: 24", 30", 36", 42", 48", 54", 60"
Height: 16 $\frac{1}{2}$ "
Depth: 14 $\frac{1}{2}$ "

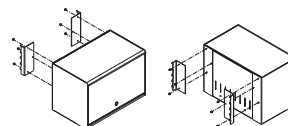


Fabric Overhead Cabinet

Basic Model: PRDF

Steel end panels, bottom and top shelf with powder-coat finish. Fabric-covered front. End panel bracket design prevents accidental dislodging of components. Door stores recessed with PVC handle exposed. Shelf depth is 13 $\frac{1}{4}$ ". Overhead tackboard and overhead tool rail can be suspended from underside of the cabinet. Key alike is available. Panel hung or off-module hung. Cannot double stack off module cabinets.

Width: 24", 30", 36", 42", 48", 54", 60"
Height: 16 $\frac{1}{2}$ " Depth: 14 $\frac{1}{2}$ "

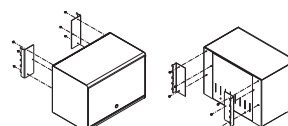


Laminate Overhead Cabinet

Basic Model: PRDL

Steel end panels, bottom and top shelf with powder-coat finish. High-pressure laminate front surface. End panel bracket design prevents accidental dislodging of components. Door stores recessed with PVC handle exposed. Shelf depth is 13 $\frac{1}{4}$ ". Overhead tackboard and overhead tool rail can be suspended from underside of the cabinet. Key alike is available. Panel hung or off-module hung. Cannot double stack off module cabinets.

Width: 24", 30", 36", 42", 48", 54", 60"
Height: 16 $\frac{1}{2}$ "
Depth: 14 $\frac{1}{2}$ "

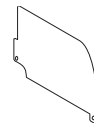


Shelf Dividers

Basic Model: NSD

Steel shelf dividers with powder-coat finish. Fits on all shelves and cabinets.

Width: 7 $\frac{1}{4}$ "
Height: 11 $\frac{1}{2}$ "



Product Overview

Solid Core Upper Door

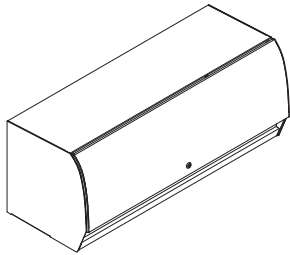
Basic Model: VNOS

Colored or translucent extruded PVC door. Painted cabinet and lower door. Mounting brackets included. Shelf dividers available separately. Capable of shipping assembled. Will accept hanging tackboards. (Attachment bar ordered separately).

Width: 30", 36", 42", 48", 54", 60"

Height: 17"

Depth: 19¼"



Laminate Upper Door

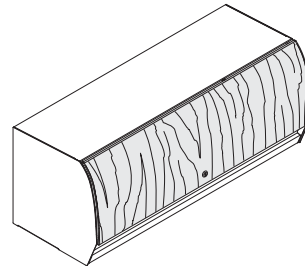
Basic Model: VNOL

Laminate covered upper door. Painted cabinet and lower door. Mounting brackets included. Shelf dividers available separately. Capable of shipping assembled. Will accept hanging tackboards. (Attachment bar ordered separately).

Width: 30", 36", 42", 48", 54", 60"

Height: 17"

Depth: 19¼"



Fabric Upper Door

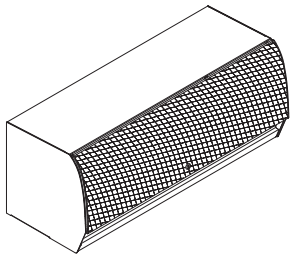
Basic Model: VNOF

Fabric covered upper door. Painted cabinet and lower door. Mounting brackets included. Shelf dividers available separately. Capable of shipping assembled. Will accept hanging tackboards. (Attachment bar ordered separately).

Width: 30", 36", 42", 48", 54", 60"

Height: 17"

Depth: 19¼"



Tackboard Attachment Bar

Basic Model: BMB

Attachment bracket that attaches to the bottom of overhead to accept overhead tackboard. Order the same size as overhead cabinet. 18-gauge steel. Black only.



Product Overview

LIGHTS

Universal Shelf/Cabinet Task Lights

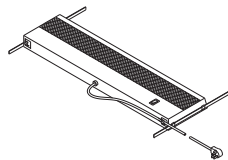
Task lights mount flush with underside of shelves and overhead cabinets. UL listed. Includes 9' cord.

Electronic Ballast, Normal Power Factor

Basic Model: CI-TLE

Electronic ballast with rapid start cool white lamp.

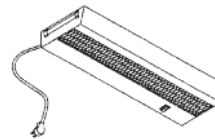
For use with Cabinet Width:
24", 30", 36", 42", 48", 54", 60"



Venus Electronic Ballast Task Lights

Task light mounts flush to the underside of cabinet. Available in 3 widths. Light is non-handed and can be positioned left, right or center depending upon width of cabinet and light. Electronic ballast with rapid start cool white lamp.

Product	Light Case Width
BTLE18	13"
BTLE24	24"
BTLE36	36"
BTLE48	48"



LED Task Lights with or without Power Supply

Task lights screw mount for wood applications or magnet mount for metal applications. Includes a 9' cord. Available in 17", 31", 44" or 58" lengths.

Optional occupancy sensor available.

Basic Model: 33.REED



Product Overview

MARKERBOARDS

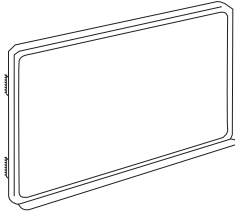
Markerboards

Basic Model: PMB

Includes markers and an eraser. Includes mounting brackets. White porcelain paint finished board surface. Hangs on-module. Trim color always white.

Width: 30", 36", 42", 48", 54", 60"

Height: 32"



TACKBOARDS

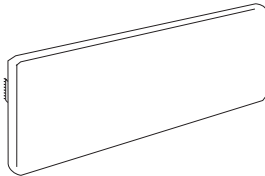
Panel Mounted Tackboard

Basic Model: PTB

Tackboard attaches either on-module to vertical post of panel or off module. Constructed of 3/4" tackable core and covered with fabric. Includes mounting brackets. Not available with countertops. Width of tackboard must match width of panel.

Width: 24", 30", 36", 42", 48", 54", 60"

Height: 12", 16", 30", 48" (60" width not available with 48"



height)

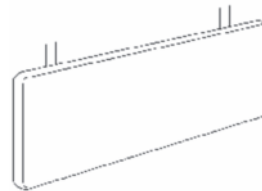
Overhead Tackboard

Basic Model: PTBO

Tackboard is suspended from underside of overhead cabinet or shelf. Constructed of 3/4" tackable core and covered with fabric. Includes mounting brackets.

Width: 24", 30", 42"

Height: 12"



Product Overview

PAPER MANAGEMENT/ ACCESSORIES

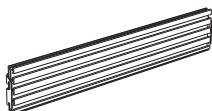
Tool Rail

Basic Model: PPMTR

Tool rail attaches on-module to vertical posts of panel. Extruded aluminum with four slots for paper management and accessories. Includes mounting brackets.

Width: 18", 24", 30", 36", 42", 48", 54", 60", 72"
(Width of tool rail must match width of panel.)

Height: 4½"

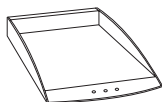


Plastic Paper Tray

Basic Model: PPLL

Suspends from tool rail or freestanding on worksurfaces or shelves. Plastic construction.

9½"W x 2"H x 14"D

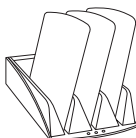


Diagonal Storage Unit

Basic Model: PPDS

Suspends from tool rail or freestanding on worksurfaces or shelves. Plastic construction. Three slanted partitions per unit.

7"W x 2½"H x 12½"D



Plastic Vertical Storage Unit

Basic Model: PPVS

Suspends from tool rail or freestanding on worksurfaces or shelves. Injection molded plastic construction.

5"W x 9"H x 10½"D



Telephone Caddy

Basic Model: PPTC

The telephone caddy is adjustable to accommodate phones up to 10¾" deep. Caddys include three hooks for suspending from tool rails.

8½"W x 2"H x 9½"D

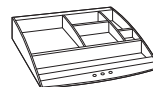


Accessory Tray

Basic Model: PPAT

The accessory tray includes three hooks for mounting to tool rails. Trays have compartments to hold miscellaneous items. Trays can be used freestanding on worksurfaces and shelves.

9½"W x 2"H x 10"D



Pencil Cup

Basic Model: PPPC

The pencil cup for storage of pens and pencils. Includes one hook to mount on tool rail.

4"W x 4"H x 3½"D



Product Overview

STORAGE PEDESTAL/ ACCESSORIES

Three Drawer Pedestal - Mobile or Freestanding

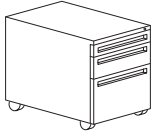
Basic Model: CIP-XXXXM-PBF &
CIP-XXXXF-PBF

One 3" pencil drawer. One 6" box drawer.
One 12" file drawer with hanging folder parti-
tion. Counterbalance weight included in
mobile unit. Counterbalance weight recom-
mended when freestanding unit is not under
worksurface. Available with key alike option.

Width: 15"

Depth: 21 $\frac{5}{8}$ ", 27 $\frac{5}{8}$ "

Height: 24 $\frac{5}{8}$ " (Mobile) 22 $\frac{1}{4}$ " (Freestanding)



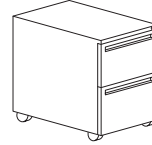
Two Drawer Pedestal - Mobile or Freestanding

Basic Model: CIP-XXXXM-FF & CIP-XXXXF-FF
Two 12" file drawers with hanging folder
partitions. Counterbalance weight included in
mobile unit. Counterbalance weight recom-
mended when freestanding unit is not under
worksurface. Available with key alike option.

Width: 15"

Depth: 21 $\frac{5}{8}$ ", 27 $\frac{5}{8}$ "

Height: 27 $\frac{9}{16}$ " (Mobile) 25 $\frac{3}{16}$ " (Freestanding)



Two Drawer EDP Pedestal - Mobile or Freestanding

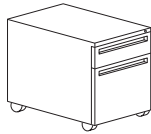
Basic Model: CIP-XXXXM-BE &
CIP-XXXXF-BE

One 6" box drawer. One 15" EDP drawer with
print-out hanging partition. Counterbalance
weight included in mobile unit.
Counterbalance weight recommended when
freestanding unit is not under worksurface.
Available with key alike option.

Width: 15"

Depth: 21 $\frac{5}{8}$ ", 27 $\frac{5}{8}$ "

Height: 24 $\frac{5}{8}$ " (Mobile) 22 $\frac{1}{4}$ " (Freestanding)



Product Overview

STORAGE PEDESTAL/ ACCESSORIES

Three Drawer Pedestal - Mobile or Freestanding

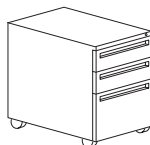
Basic Model: CIP-XXXXM-BBF &
CIP-XXXXF-BBF

Two 6" box drawers. One 12" file drawer with hanging folder partition. Counterbalance weight included in mobile unit. Counterbalance weight recommended when freestanding unit is not under worksurface. Available with key alike option.

Width: 15"

Depth: 21 $\frac{5}{8}$ ", 27 $\frac{5}{8}$ "

Height: 27 $\frac{9}{16}$ " (Mobile) 25 $\frac{3}{16}$ " (Freestanding)



Three Drawer EDP Pedestal - Mobile or Freestanding

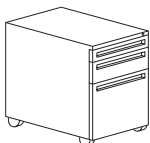
Basic Model: CIP-XXXXM-PBE &
CIP-XXXXF-PBE

One 3" pencil drawer. One 6" box drawer. One 15" EDP drawer with print-out hanging partition. Counterbalance weight included in mobile unit. Counterbalance weight recommended when freestanding unit is not under worksurface. Available with key alike option.

Width: 15"

Depth: 21 $\frac{5}{8}$ ", 27 $\frac{5}{8}$ "

Height: 27 $\frac{9}{16}$ " (Mobile) 25 $\frac{3}{16}$ " (Freestanding)

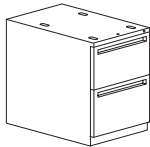


Product Overview

28" Two Drawer Pedestal - Supporting

Basic Model: CIP-XXXXW-FF
Two 12" file drawers with hanging folder partitions. Includes four leveling glides. Available with key alike option.

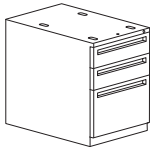
Width: 15"
Depth: 21 $\frac{5}{8}$ ", 27 $\frac{5}{8}$ "
Height: 27 $\frac{3}{4}$ "



28" Three Drawer Pedestal - Supporting

Basic Model: CIP-XXXXW-BBF
Two 6" box drawers. One 12" file drawer with hanging folder partition. Includes four leveling glides. Available with key alike option.

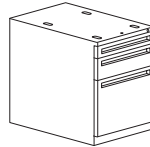
Width: 15"
Depth: 21 $\frac{5}{8}$ ", 27 $\frac{5}{8}$ "
Height: 27 $\frac{3}{4}$ "



28" Three Drawer EDP Pedestal - Supporting

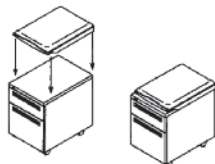
Basic Model: CIP-XXXXW-PBE
One 3" pencil drawer. One 6" box drawers. One 15" EDP drawer with printout hanging folder partition. Includes four leveling glides. Available with key alike option.

Width: 15"
Depth: 21 $\frac{5}{8}$ ", 27 $\frac{5}{8}$ "
Height: 27 $\frac{3}{4}$ "



Cushioned Pedestal Top

Basic Model: PDCU20-color-(XXX)
Converts a standard Mobile pedestal to a cushioned office chair. Recommended for use on a 24" Mobile Box/File pedestal for optional comfort. Held on the pedestal with non-skid rubber strips. Specify black (BL), grey (GR), sand (SA), or warm grey (WG) trim color.



Glide Kit

Basic Model: CIP-GK
Adds 1/8" to 1 inch pedestal height. Four per kit.



Caster Kit

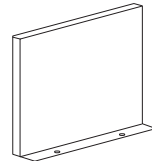
Basic Model: CIP-CK
Converts freestanding pedestals to mobile units. Adds 2 $\frac{5}{16}$ " to pedestal height. Must use with counterbalance weight.



Counterbalance Weight

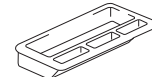
Basic Model: CIP-CBW
For mobile and freestanding units. Included with mobile pedestals; recommended with freestanding unit. (20" deep units come as a set of 2)

For 20", 24", 30" deep units



Pencil Tray

Basic Model: CIP-PT
For 3" pencil drawer and 6" box drawers. Molded plastic construction. Field installable. Black finish only.

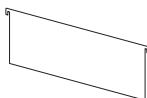


Product Overview

STORAGE PEDESTAL/ ACCESSORIES

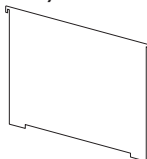
6" Partition

Basic Model: CIP-D6
For 6" box drawers. Dark Tone enamel finish only. Steel construction.



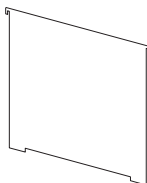
Hanging Folder Partition

Basic Model: CIP-D12
For 12" file drawers. Dark Tone enamel finish only. Steel construction.



EDP Hanging Partition

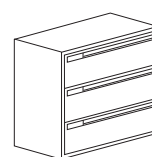
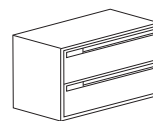
Basic Model: CIP-D15
For 15" EDP drawers. Dark Tone enamel finish only. Steel construction.



Freestanding Files

Basic Model: CIP-XXXX-XD
Steel files available in 2, 3, 4 and 5 high with 12" drawers. Top location on 5 high units is receding door and roll out shelf. Lock and interlock are standard. Available with key-alike option. Counterbalance weights required to meet ANSI/BIFMA standards and must be ordered separately.

Width: 30", 36", 42"
Height: 27", 39 1/4", 51 1/2", 63 3/4"
Depth: 18"



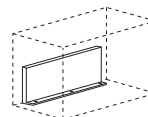
Type K Folder Bars

Basic Model: CIP-XXX-FBK
Set of two allows front-to-back filing per row. For lateral files only. Dark Tone Enamel.



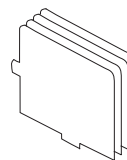
Counterbalance for Lateral File Units

Basic Model: CIP-XXX
Recommended for all freestanding 2-, 3- and 4- high file units with rollout shelves.



File Dividers

Basic Model: CIP-XXX-XXDV
Dark Tone Enamel. For use with lateral files only.



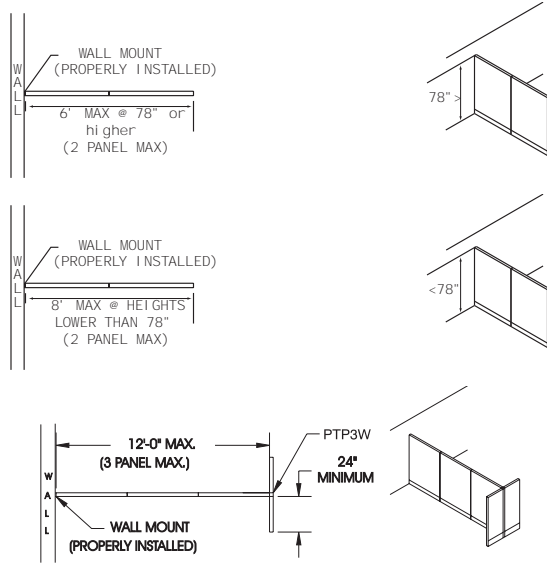
Planning Guidelines

PANEL SUPPORT AND LOADING

The following figures show the maximum and minimum requirements for safe loading and supporting of panels. Review them carefully to insure panel stability.

When using glass toppers, please see the PW Glass Topper Planning Guide in the Panel Systems folder on the OEI literature page: www.oei-inc.com/literature.asp

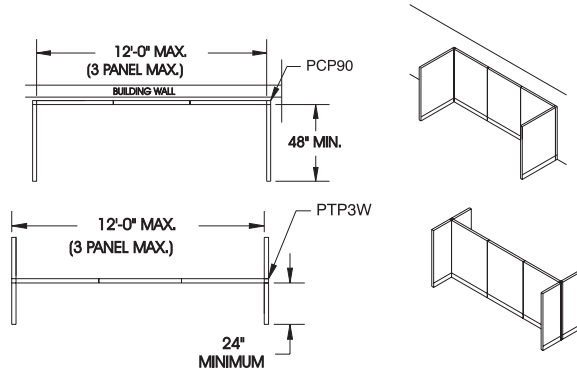
Unloaded Panel Runs Starting With Wall Mounts



Return panel must be equal to, or within 18" of the height of the main panel run. Enhanced horizontals must be used on panel runs without returns.

Return panels can be any height when they return in opposite directions as shown at left.

Unloaded Freestanding Runs With Returns At Both Ends

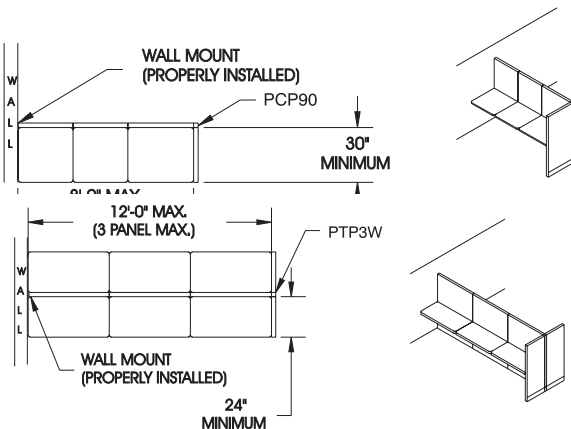


Return panel(s) must be equal to, or within 18" of the height of the main panel run, UNLESS the main panel run is tight against a building wall. If the main run is tight against the building wall, the return panels can be any height.

Return panels can be any height when they return in opposite directions as shown at left.

Planning Guidelines

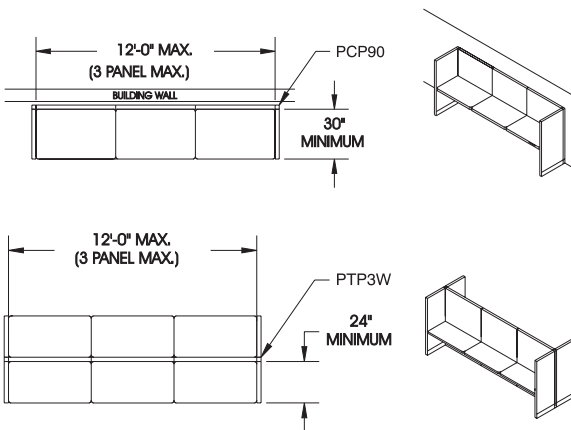
Worksurface Loaded Panels Starting With Wall Mounts



Return panel must be equal to, or within 18" of the height of the main panel run.

Return panels can be any height when they return in opposite directions as shown at left.

Worksurface Loaded Freestanding Runs With Returns At Both Ends



Return panel(s) must be equal to, or within 18" of the height of the main panel run, UNLESS the main panel run is tight against a building wall. If the main run is tight against the building wall, the return panels can be any height.

Return panels can be any height when they return in opposite directions as shown at left.

When loading freestanding panels with work-surfaces, return panels must be used on both ends. An option on one end is to use work-surface support panels (PWSSP or PWSSL) in some situations.

Return Panel Guidelines

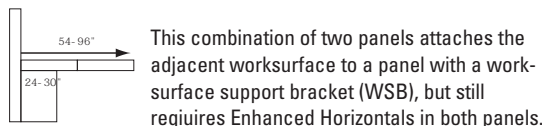
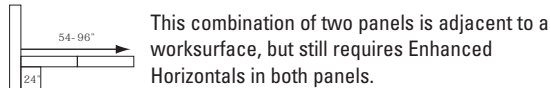
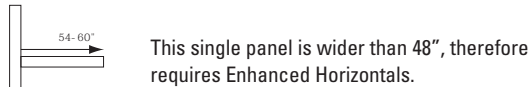
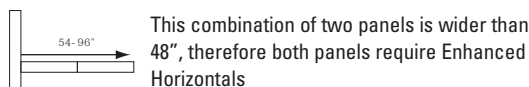
Rules:

- Any return between 48" and 96" in length requires enhanced horizontals.
- Any return greater than 48" requires enhanced horizontals on both panels that make up the return.
- Two enhanced horizontals are required per panel, one at the top and the other at the bottom.

Definition of a Return: A panel of combination of panels that has one of its ends connected to a run of panels while the other end is unsupported.

- Cannot exceed a total length of 8'
- Cannot consist of more than two panels
- Cannot support overhead storage
- Cannot support worksurfaces or counter-tops

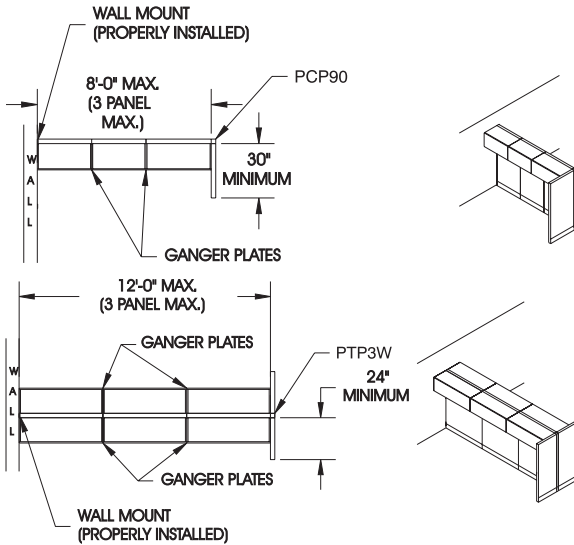
Examples: Where needed



Planning Guidelines

PANEL SUPPORT AND LOADING

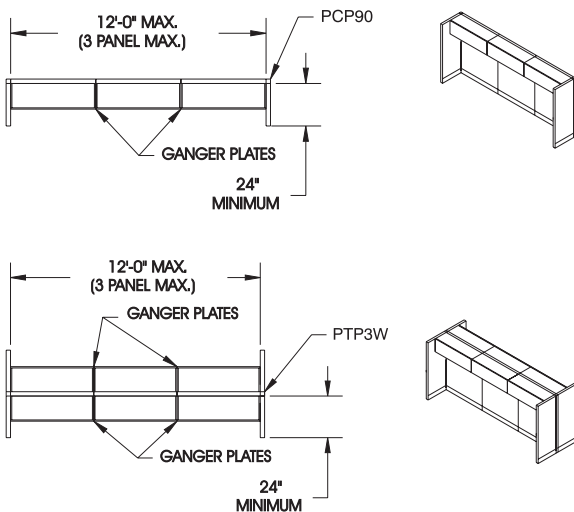
Storage Unit Loaded Panel Runs Starting With Wall Mounts – One or Two Units Per Panel



Return panel must be equal to, or within 18" of, the height of the main panel run, and must be on the same side as the storage units. All adjacent overhead units must have overhead ganger plates attached between them.

Return panels must be equal to, or within 18" of, the height of the main panel run when they return in opposite directions as shown at left. All adjacent overhead units must have overhead ganger plates attached between them.

Storage Unit Loaded Freestanding Runs With Returns At Both Ends – One or Two Units Per Panel



Return panels must be equal to, or within 18" of, the height of the main panel run. Return panels must be specified at each end of the storage unit panel run, and must be on the same side as the storage units. All adjacent overhead units must have overhead ganger plates attached between them.

Return panels must be equal to, or within 18" of, the height of the main panel run. Return panels must be specified at each end of the storage unit panel run. All adjacent overhead units must have overhead ganger plates attached between them.

Planning Guidelines

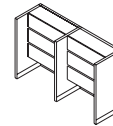
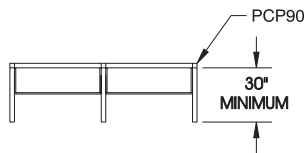
STORAGE UNITS

Storage Unit Loaded Panel Runs With Three Or More Storage Units Per Panel

The following number of storage units will fit on the specified height panels.

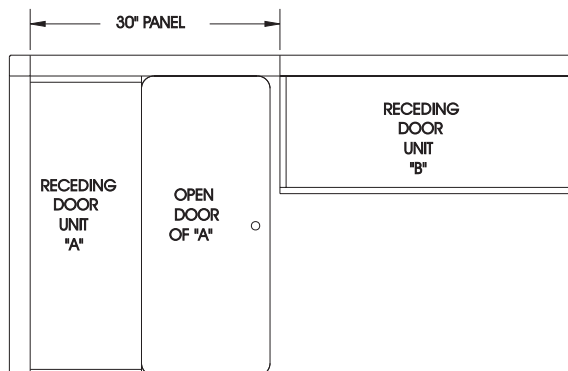
Panel Height	Low Shelves Stacked Tight 10" Req'd	Low Shelves with Folders 14" Req'd	Regular Shelves or Receding Door Cabinets 17" Req'd
54"	4	3	2
66"	6	4	3
84"	7	5	4

When three or more storage units are mounted on one side of a panel, storage units must be panel wrapped with return panels at least 30" wide and equal to, or within 12" of, the height of the panel the storage units are mounted on.



Return panel(s) must be equal to, or within 12" of, the height of the main panel run.

An overhead with receding door located in a corner must be adjacent to a perpendicular panel of no less than 30" wide if the open door is to clear a second overhead positioned at 90° from the first (see below).



Panel Wrapping Lateral Files

When panel wrapping one lateral file, the panel behind the file can be the same size as the width of the file (30", 36", or 42"). The return panels on each side of the lateral file will stay in place when carpet grippers are used.

When panel wrapping more than one lateral file that have been placed side by side, use panels behind the files that are at least 6" wider than the file.

EXAMPLE: Two 30" lateral files = 60" wide
Use a panel combination that equals at least 66" behind the files.

The reason for the 6" difference is that no matter how tight the files are ganged together, the small air space between the files adds up, and the return panels on each side will not stay in position.

Planning Guidelines

PANEL MOUNTING GUIDELINES

Vertical Stacking of On-Module Components

The following charts provide a quick reference source for the hang-on capacity of PowerWorks panels.

The first table shows the actual number of inches available on each size panel to hang components. The hang-on capacity of each panel size is less than the height of the panel, because of the raceway at the bottom of the panel.

Panel Height	Actual Hang On Space
30"	24"
42"	36"
54"	48"
66"	60"
84"	78"

The following table shows the actual number of inches in height each product takes up on a panel. In addition to the actual heights, any special clearance inches are also listed. Be sure to check the specifying section on loaded panels to be sure the panels are adequately supported.

Product	Vertical Size	Special Notes
Worksurface with cantilever bracket	13"	Worksurfaces are usually mounted at about 30" high; therefore, the lower 25" of available space is used.
Countertop with standard ADA bracket	6" of bracket plus 2" of worksurface	The 8" total includes 6" of hang on space used by the bracket plus 2" of worksurface and top cap that is above the bracket.
Low Shelves	10"	If you are storing anything taller than 7", use the height of the object plus 3".
Regular Shelves	16"	If you are storing anything taller than 13", use the height of the object plus 2".
Universal Storage Overhead Unit	17"	Cannot double stack off module overheads.
Venus Overhead Storage Unit	20" with doors open	It is not recommended to double stack overheads.
Tackboards	12", 16", 30", & 48"	Two on-module tackboards cannot be hung adjacent to each other at the inside of a 90° corner.
Markerboards	32"	

Planning Guidelines

WEIGHT CAPACITIES

Notes About Hang-On Components

PowerWorks hang-on components (excluding markerboards, tackboards and tool rails) include a specially designed hanger bracket to prevent accidental dislodgement from the panel or wall track.

All PowerWorks components meet or exceed the BIFMA (Business and Institutional Furniture Manufacturers Association) standards for hang-on components.

BIFMA has two load tests for hang-on components:

1. Functional Load - at this load the test furniture must still be useable with no deformation or breakage.
2. Proof Load - at this load the test furniture must still be safely usable, but deformation is allowed.

The following are the BIFMA test loads for two categories of hang-on components, worksurfaces and overhead storage units.

Worksurfaces:

Functional Load: 4.5 lbs/linear inch for 60 minutes
 Proof Load: 7.0 lbs/linear inch for 15 minutes
 (300 lb minimum)

Worksurface Length	Functional Load	Proof Load
24"	108 lbs	300 lbs
30"	135 lbs	300 lbs
36"	162 lbs	300 lbs
42"	189 lbs	300 lbs
48"	216 lbs	336 lbs
54"	243 lbs	378 lbs
60"	270 lbs	420 lbs
72"	324 lbs	504 lbs
84"	378 lbs	588 lbs
90"	405 lbs	630 lbs
96"	432 lbs	672 lbs

Overhead Storage Units:

Functional Load: 3.0 lbs/linear inch for 60 minutes
 Proof Load: 5.0 lbs/linear inch for 15 minutes

Overall Length	Functional Load	Proof Load
24"	72 lbs	120 lbs
30"	90 lbs	150 lbs
36"	108 lbs	180 lbs
42"	126 lbs	210 lbs
48"	144 lbs	240 lbs
54"	162 lbs	270 lbs
60"	180 lbs	300 lbs

Note: The lifting force required to open a universal overhead door (based upon a 48" unit) is 6.0 lbs. The lifting force required to open a Venus Overhead Door is less than 5.0lbs., making it ADA compliant.

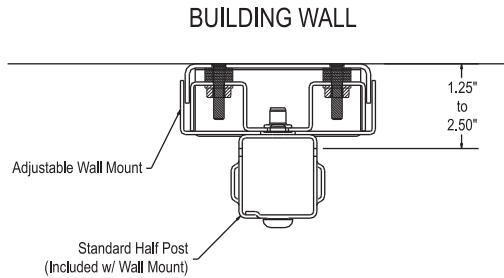
Planning Guidelines

WALL MOUNTING

Adjustable Wall Mount Kits

The adjustable wall mount can make up for a wall being up to .75" out of plumb.

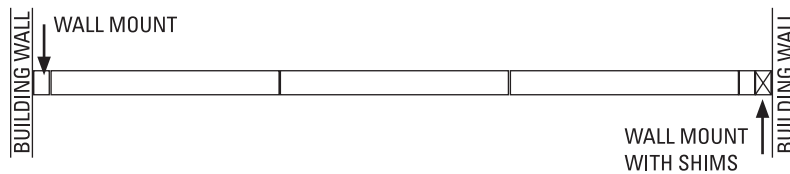
An adjustable wall mount adds 1.25" - 2.00" to the length of a panel run (see below).



If two wall mounts are being used on one panel run between two building walls (see below) and the panel run length comes up less than 6" short of the total distance, the following solution has been used.

The customer shims out the wall using layers of wood and the wall mount is then attached to the shim.

Note: Shim to be provided by installer.



Planning Guidelines

Wall Track

Wall track allows you to mount PowerWorks hang-on components directly onto a wall without the use of PowerWorks panels. The wall track comes in 30", 66", and 84" lengths but can be cut to shorter lengths for hanging worksurfaces only.

Wall track should always run all the way to the floor.

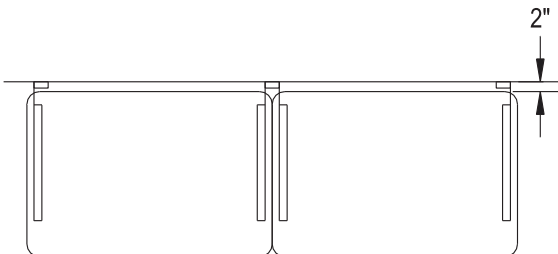
Wall track **MUST** be anchored into one of the following wall types:

- a. A concrete wall using a good quality concrete anchor installed to the manufacturer's recommendation.
- b. A dry wall surface that is over a minimum $\frac{3}{8}$ " thick plywood. Secure the wall track using a good quality hollow wall anchor (toggle bolt) installed according to the manufacturer's recommendations.
- c. A dry wall surface where all of the wall track is mounted directly into the wood or steel wall studs. Secure the wall track to the wood stud using at least a #10 x $2\frac{1}{2}$ " wood screw, or a good quality hollow wall anchor (toggle bolt) installed in the steel stud to the manufacturer's recommendations.

Note: All holes in the wall track should be used regardless of the length.

If possible, it is recommended to also specify worksurface supporting pedestals or worksurface supporting panels to provide added support to wall track mounted worksurface.

Wall track is double slotted (see Product Overview page 14): however, one piece of wall track can actually support two adjacent hang-on components (see below).



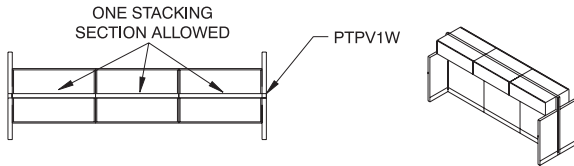
Worksurface that are hung on wall track will have a space about 2" wide between the back of the worksurface and the wall.

Planning Guidelines

STACKING SECTION GUIDELINES

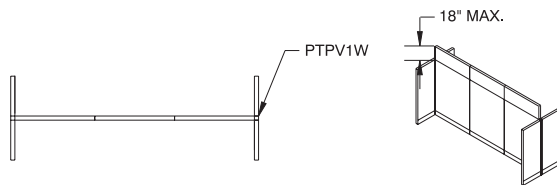
The following specifications apply to stackable sections. Stackable sections must always remain below the ceiling. To stack on top of a fully assembled panel at least 7" of clearance should be left between the top of the panel and the ceiling. If less clearance is available, the panel frame must be disassembled before adding or removing stacking sections.

Load Bearing Applications



Stacking sections are designed to be load bearing, however, only one stacking section is allowed at or below the height of the load bearing components. Unloaded return panels can utilize any number of stacking sections. Return panels must be within 12" of loaded panel height.

Non-Load Bearing Applications

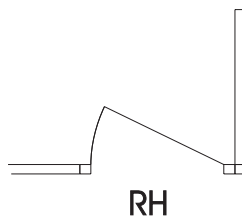
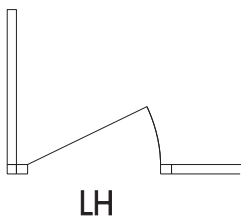


When panels will not be bearing loads, any number of stacking sections may be used, however, you still must keep return panels within 18" in height from the main run for stability reasons. Panels can be stacked to a maximum height of 12' and must be below the ceiling.

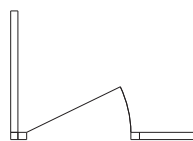
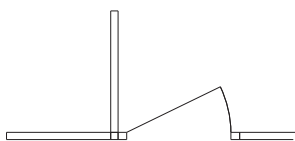
Planning Guidelines

DOOR GUIDELINES

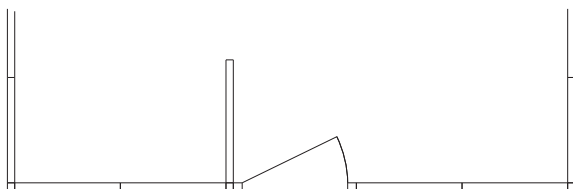
Panel doors are available in 42" widths. The actual door opening is 36". The 42" allows for handicap accessibility.



Panel doors come in right-hand (R), and left-hand (L) versions (see at left). An easy way to remember the difference is: which hand would you have on the door knob as you walk into the room and open the door away from you.



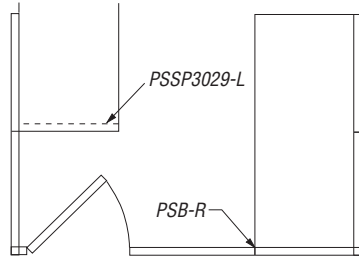
Always try to place the hinge side of the panel door so it is part of a "T" or "Corner" configuration (see at left).



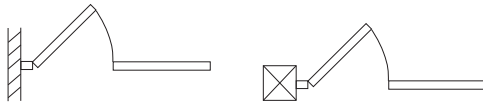
The panel that the door opens against must be an 84" tall panel and must be either at least as wide as the panel door width, or be part of a panel run that is larger than the panel door width. The panel that adjoins the door on the latch side should be 84" tall. If a panel door is requested in the middle of a straight panel run, an 84" tall panel equal to or greater than the width of the panel door, should be placed on the hinge side so the door opens against it (see at left).

Planning Guidelines

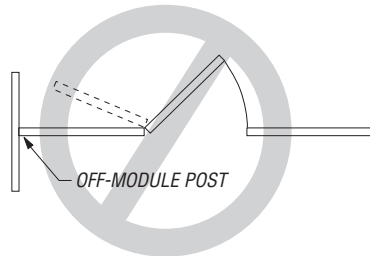
DOOR GUIDELINES



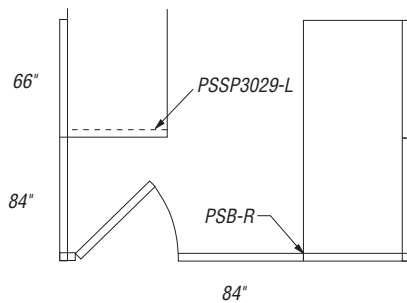
Use work surface support brackets or work surface support panels whenever a work surface adjoins or hangs on a run of panels containing a door.



A panel door may be used with a wallmount to connect the panel door to a column or wall. Mounting must be either parallel to the column or perpendicular to the wall. A panel door cannot be used with an off-module post.



Never reduce panel heights at a 90° intersection containing a door panel (example: a corner office with windows). Always round a corner with an 84" high panel equal or greater in width than the door. At that point a lower panel could be used.



Planning Guidelines

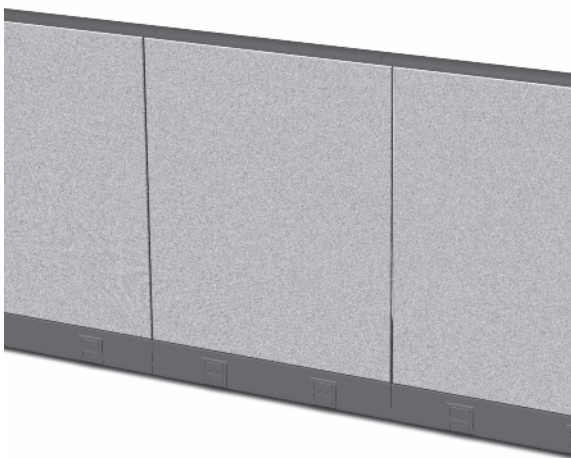
RECONFIGURING PANELS

The following are common reconfigurations to illustrate how easy modifying your existing layout can be. Every original layout and initial installation of PowerWorks is different, so the steps listed below may vary in specific environments.

Hint: Worksurface cantilever brackets have elongated slots, rather than holes, for attachment screws. These slots allow for worksurfaces to be pulled away from the panel one inch so tiles can be removed from the panel without removing the worksurface entirely.

Adding a Stacking Section

Add a stacking section to the top of an existing monolithic panel in which the top horizontal rail contains cables.



1. Remove top trim from the panel that will receive stacking sections and the adjacent panels.

2. Remove tiles from both sides of these panels. To remove tiles from panels which support rectangular worksurfaces without disturbing the equipment on the worksurface, loosen the screws on cantilever bracket just enough to slide the worksurface forward one inch.

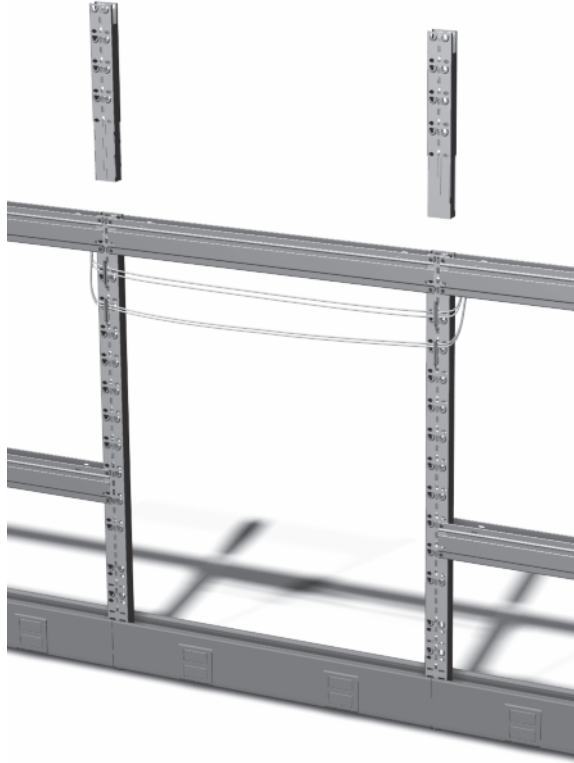
3. Remove cables from the top horizontal rail of all panels affected and let hang.

4. Remove the top horizontal rail from the panels immediately adjacent to the run of stacking sections. Note: On monolithic panels it is necessary to always have a minimum of two horizontal rails. Before removing the top horizontal rail of any monolithic panel, first install a horizontal rail at another height.



Planning Guidelines

RECONFIGURING PANELS



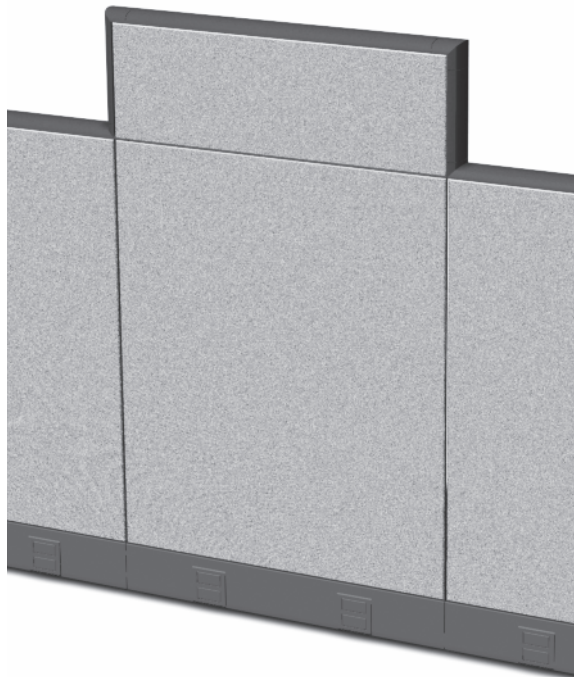
5. Install vertical cable guides on vertical posts of the stacking section. Note: Vertical cable guides occupy the same slots in the vertical posts as the brackets for all hanging components. In order to insure that over-heads and tackboards can be hung from the vertical posts, it is best to locate the vertical cable guides 49 inches from the floor. Refer to Guide Diagram on page 80.

6. Reroute cables down through the notch at the end of the removed horizontal rails of the adjacent panels then reattach these rails. Then, reroute cables behind vertical cable guides below the stacking sections.

7. Remove the cable guards from the top of each of the vertical posts that will be receiving a stacking vertical post. Install stacking vertical posts, horizontal rails, and tiles.

8. Reuse the top trim from previous panels and install new "change of height end-of-run caps."

9. Replace monolithic tiles. Slide worksurfaces back to original position and tighten screws.

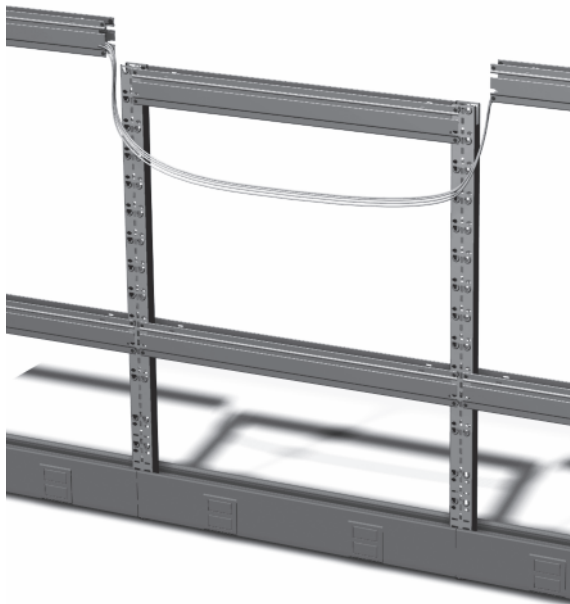
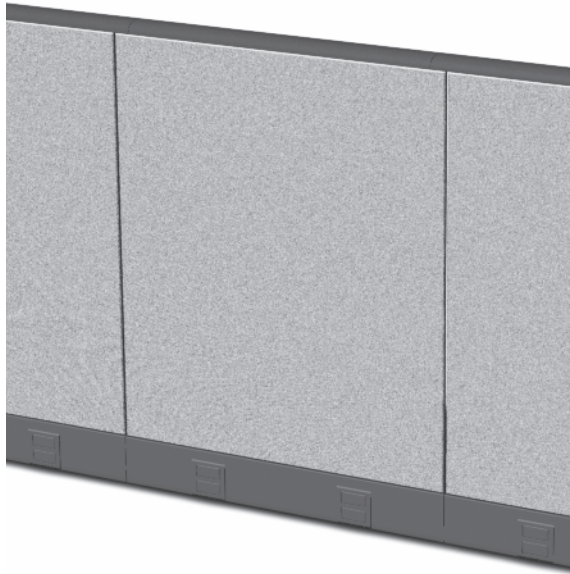


Planning Guidelines

RECONFIGURING PANELS

Reducing Height of a Monolithic Panel

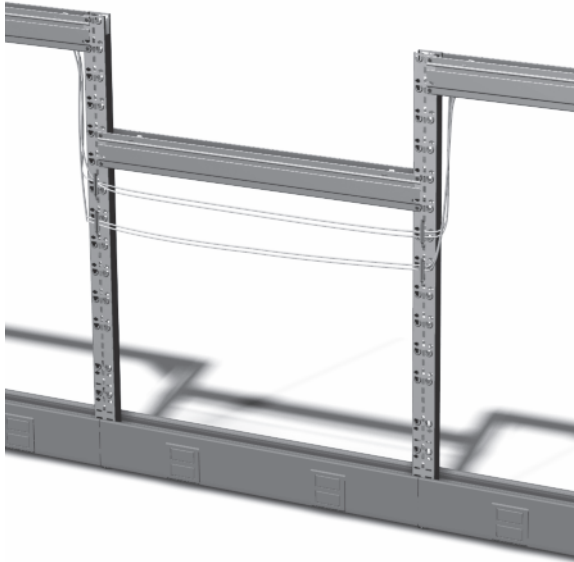
Reduce height of monolithic panel in the middle of a run in which the top horizontal rail contains cables.



1. Remove top trim from all panels that will be reduced in height and adjacent panels.
2. Remove tiles from both sides of the reduced height panels and from the adjacent panels. To remove tiles from panels, which support rectangular worksurfaces without disturbing the equipment on the worksurface, loosen the screws on cantilever bracket just enough to slide the worksurface forward one inch.
3. Remove cables from the top horizontal rail of all panels affected and let hang.
4. Remove the top horizontal rail from the panels immediately adjacent to the reduced height panels. **Note:** On monolithic panels it is necessary to always have a minimum of two horizontal rails. Before removing the top horizontal rail of any monolithic panel, first install a horizontal rail at worksurface height.
5. Install vertical cable guides on vertical posts of the stacking section. **Note:** Vertical cable guides occupy the same slots in the vertical posts as the brackets for all hanging components. In order to insure that overheads and tackboards can be hung from the vertical posts, it is best to locate the vertical cable guides 49 inches from the floor. Refer to Guide Diagram on page 80.

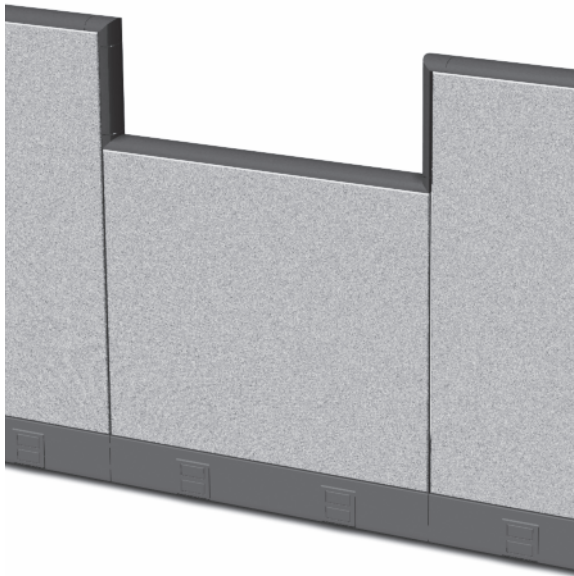
Planning Guidelines

RECONFIGURING PANELS



6. Reroute cables down through the notch at the end of the removed horizontal rails of the adjacent panels; then reattach these rails. Reroute cables behind vertical cable guides below the reducing sections.

7. Relocate top horizontal rail to new lower position on reduced height panels.



8. The new reduced height panel can reuse the top trim from the taller version by cutting the trim to the proper length. Install in-line height change trim on both posts of the reduced height, then trim the top trim to fit. Note: The new in-line height change trim can be ordered as a kit of parts or as separate pieces.

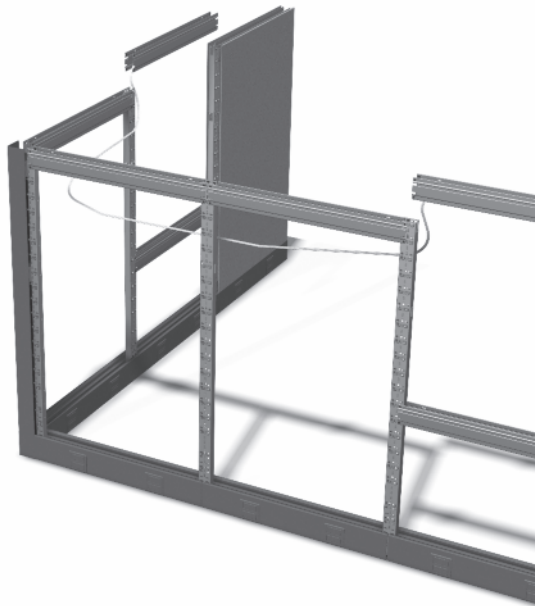
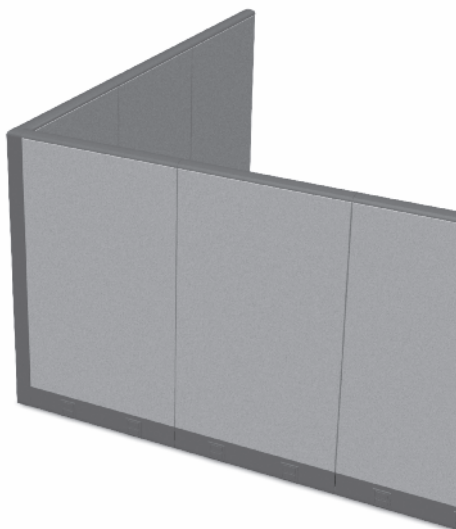
9. Replace monolithic tiles. Slide worksurfaces back to original position and tighten screws.

Planning Guidelines

RECONFIGURING PANELS

Adding a Walkthrough in Middle of Run

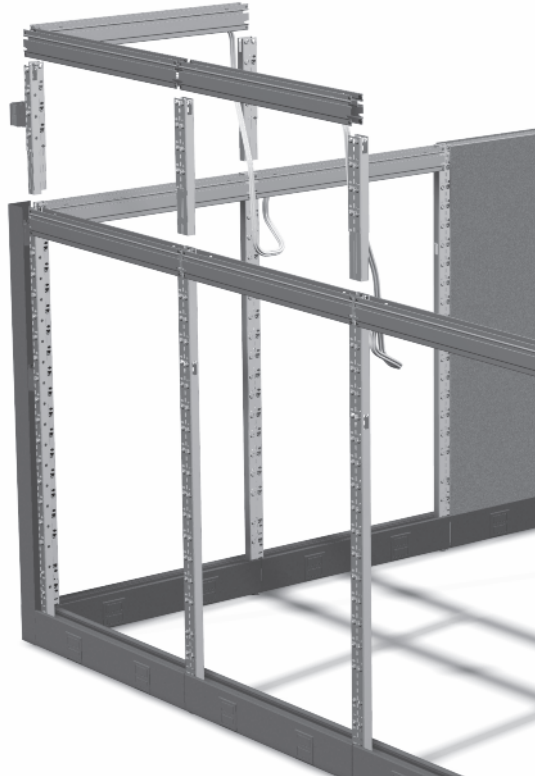
Add a walkthrough in the middle of a run of monolithic panels in which the top horizontal rail contains cables. Walkthrough can be used with or without door.



1. Remove top trim from panel that will be removed and next two panels on both sides of walkthrough.
2. Remove tiles from both sides of all of these panels. To remove tiles from adjacent panels, which support rectangular worksurfaces without disturbing the equipment on the worksurface, loosen the screws on cantilever bracket just enough to slide the worksurface forward one inch.
3. Remove cables from the top horizontal rail of all panels affected and let hang.
4. Remove the top horizontal rail from the panels which are immediately adjacent to the run of increased height panels (Panels directly adjacent to walkthrough must be stacked to match walkthrough height). Note: On monolithic panels it is necessary to always have a minimum of two horizontal rails. Before removing the top horizontal rail of any monolithic panel, first install a horizontal rail at worksurface height.
5. Install vertical cable guides on vertical posts at ends of the stacking section. Note: Vertical cable guides occupy the same slots in the vertical posts as the brackets for all hanging components. In order to insure that overheads and tackboards can be hung from the vertical posts, it is best to locate the vertical cable guides 49 inches from the floor. Refer to Guide Diagram on page 80.

Planning Guidelines

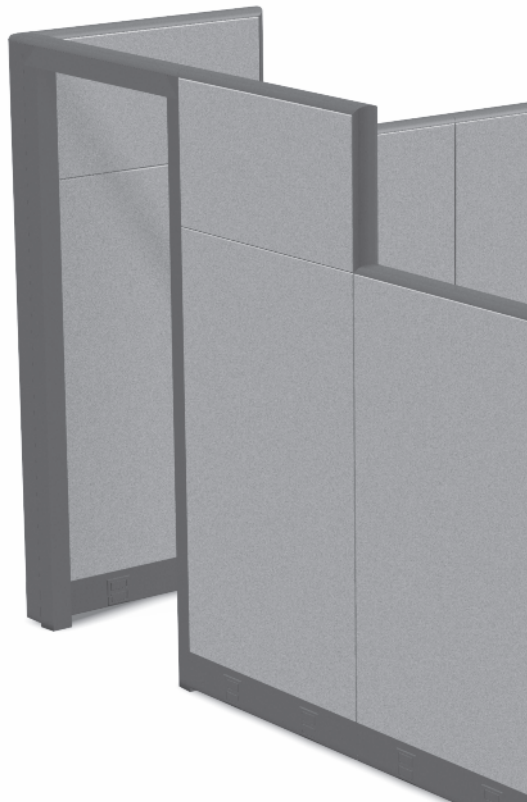
RECONFIGURING PANELS



6. Add stacking vertical posts to walkthrough and adjacent panels to extend walkthrough panel height to 84".

7. Remove top horizontal rail of walkthrough and adjacent panels and relocate at top of stacking sections to bridge the space over removed panel. Note: On monolithic panels it is necessary to always have a minimum of two horizontal rails. Before removing the top horizontal rail of any monolithic panel, first install a horizontal rail at worksurface height.

8. Reroute cables down through the notch at the end of the removed horizontal rails of adjacent panels; then reattach these rails. Reroute cables behind vertical cable guides, up through notches in adjacent stacking panels, and through the horizontal rail over walkthrough.



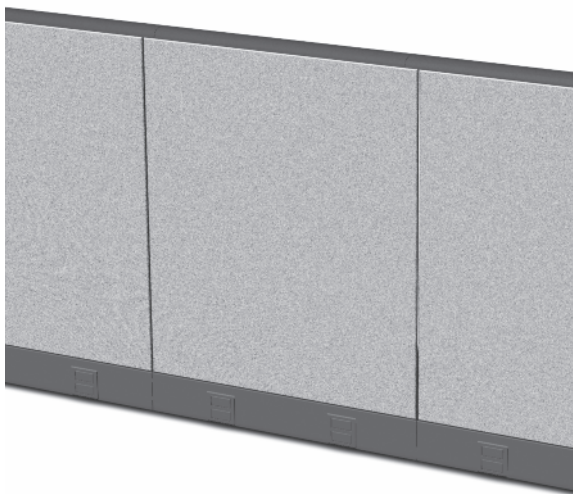
9. Replace monolithic tiles. Reuse the top trim from the previous panel for the top of the horizontal rail and add change in height trim to the stacking sections. Note: If the opening will not be used with a door, then specify door passthrough trim in 42" width.

Planning Guidelines

RECONFIGURING PANELS

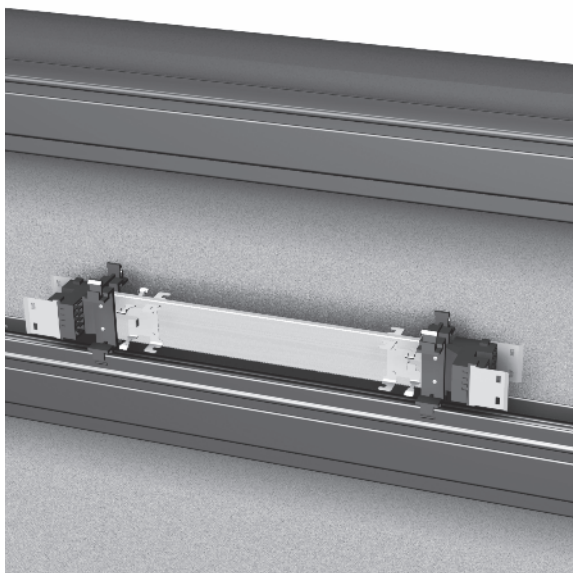
Adding Power to Monolithic Panel at ADA, Belt, or Stand-up height

Add ADA, Belt, or Stand-up height rigid wireways to a monolithic panel.



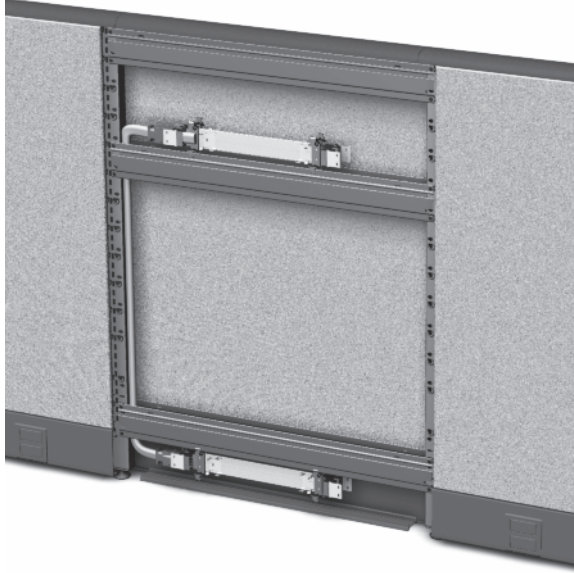
1. Remove tiles from the side(s) of the panel which provides receptacles. To remove tiles from panels, which support rectangular work-surfaces without disturbing the equipment on the worksurface, loosen the screws on cantilever bracket just enough to slide the worksurface forward one inch.

2. Install a horizontal rail and rigid wireway with receptacles at the desired height(s).

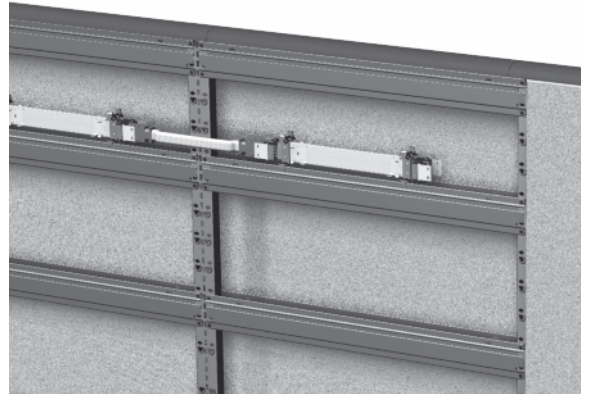


Planning Guidelines

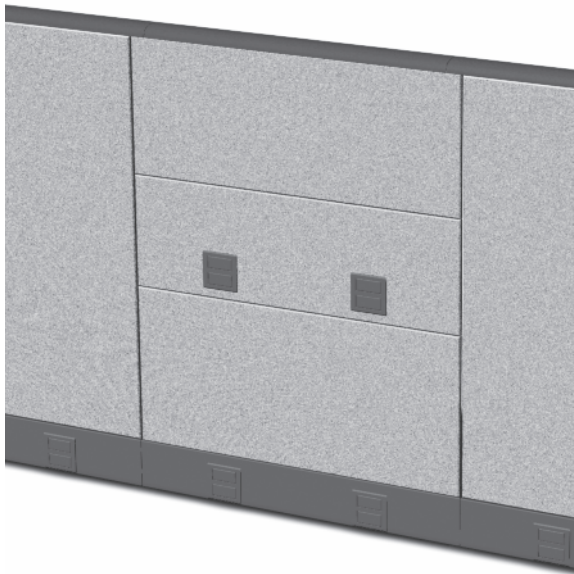
RECONFIGURING PANELS



3. Use either vertical or horizontal jumpers to connect rigid wireway(s) to power of same or adjacent panel.



4. Add additional horizontal rails, raceway tiles, and acoustic tiles to remainder of panel.
(Note: Cannot use horizontal jumpers behind acoustical tiles).

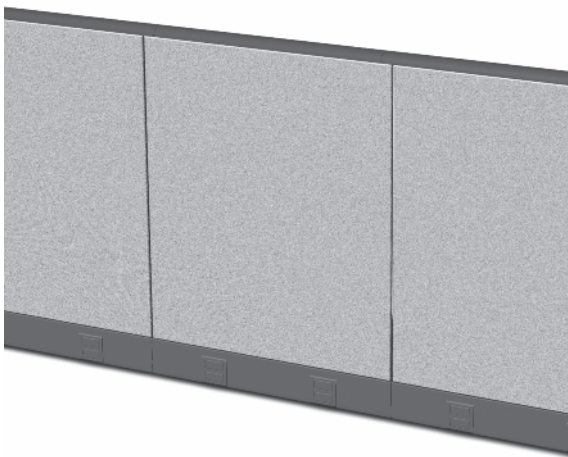


Planning Guidelines

RECONFIGURING PANELS

Storing Excess Cables

Store excess cable within a monolithic panel in which the top horizontal rail contains cables.

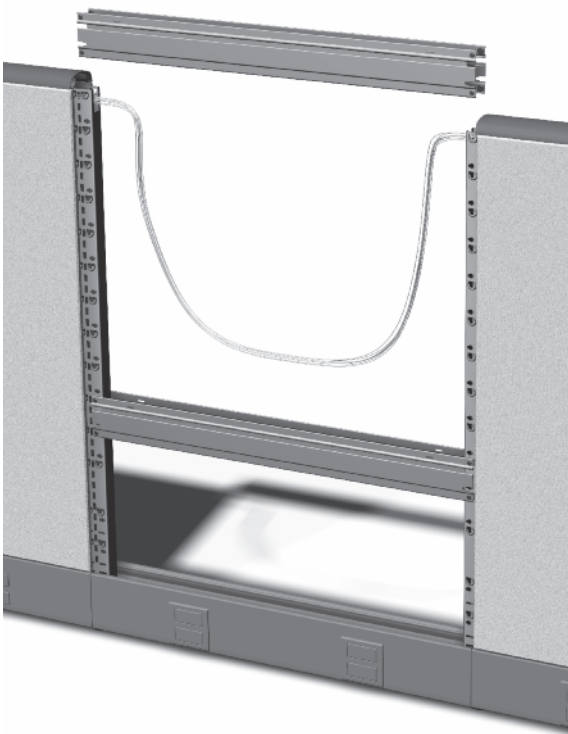


1. Remove top trim from all panels that will store excess cable.

2. Remove tiles from both sides of the panels. To remove tiles from panels which support rectangular worksurfaces, without disturbing the equipment on the worksurface, loosen the screws on cantilever bracket just enough to slide the worksurface forward one inch.

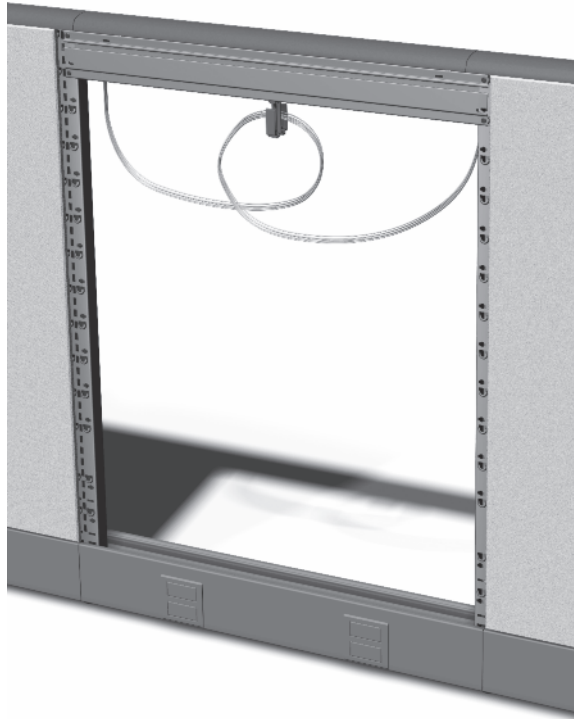
3. Remove cable from top horizontal rail and let hang.

4. Remove the top horizontal rail from panel which will store cable. Note: On monolithic panels it is necessary to always have a minimum of two horizontal rails. Before removing the top horizontal rail of any monolithic panel, first install a horizontal rail at worksurface height.



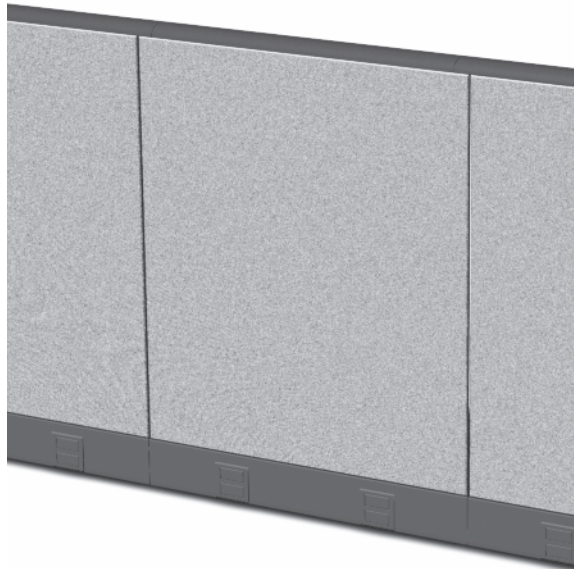
Planning Guidelines

RECONFIGURING PANELS



5. Reroute cables down through the notch at the end of the removed horizontal rail. Then reattach the rail. Relocate all excess cable into interior of panel and coil cable into loops.

6. Install acoustical tile horizontal cable support and hang loops of cable from the support. Note: Additional horizontal rails can be added to the panel to help support additional loops of cable.



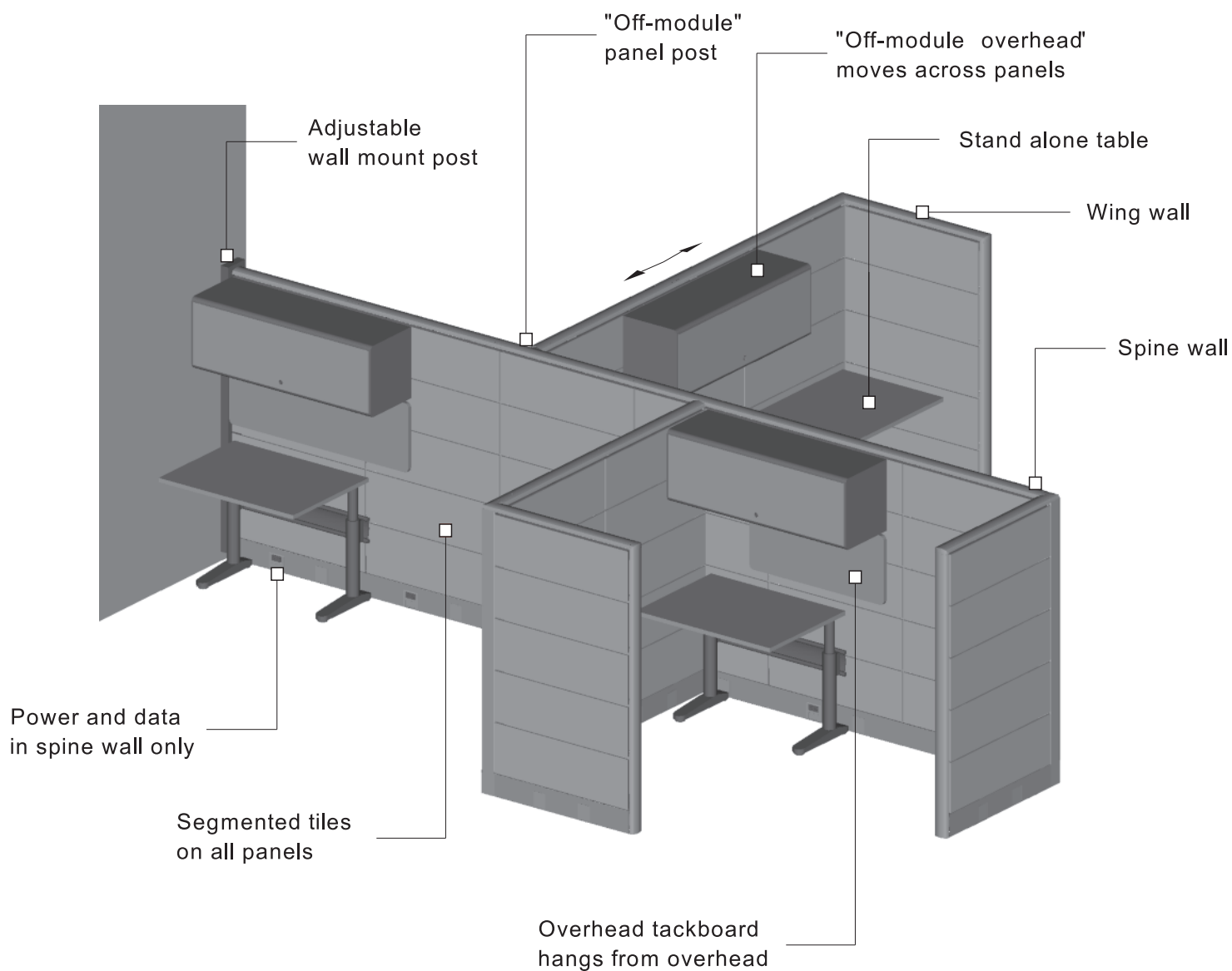
7. Replace tiles and trim.

Planning Guidelines

RECONFIGURING PANELS

Utilizing PowerWorks as a Spine Wall

1. Specify either half-segmented or fully-segmented panels.
2. Specify "off-module" overheads.
3. Specify overhead suspended tackboards and toolrails.
4. Specify "off-module" panel posts instead of 90 degree corners, or 3-way or 4-way intersection conditions, to connect wing walls to spine walls.
5. Specify power and data receptacles in the spine wall only and not the wing walls. (Note: Power/Data cannot be run between an off module panel connection and a spline wall).
6. Specify "off-module" worksurfaces such as stand alone tables.



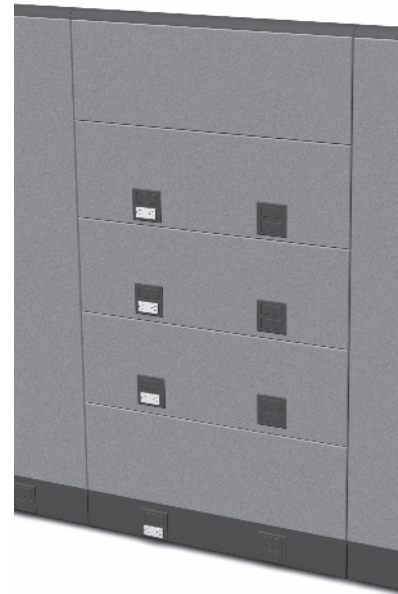
Planning Guidelines

ELECTRICAL POWER

Each PowerWorks panel can provide power in a number of ways. Depending on a panel's use, power can be supplied at varying heights, at multiple locations, or not at all. Power is supplied to PowerWorks panels using one of two types of power infeeds – base or ceiling. Rigid wireways provide power access through duplex receptacles at varying heights. Vertical and horizontal jumpers allow the routing of power to different heights and between panels.

Power Options

Power can be run at four standard heights on a 54" high and taller PowerWorks panel: base, ADA, worksurface, and standing. Each level of power can provide four, 20 amp circuits. Therefore, four levels of power can deliver 16, 20 amp circuits per panel. PowerWorks does allow for a rigid wireway to be installed at every twelve inches of panel height. See Electrical Power Guidelines section (page 74) for maximum number of receptacles per infeed.



(Standing)

(Worksurface)

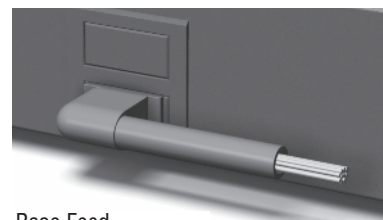
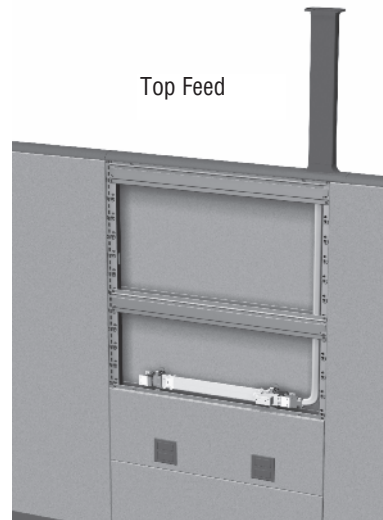
(ADA)

(Base)

Power Infeeds

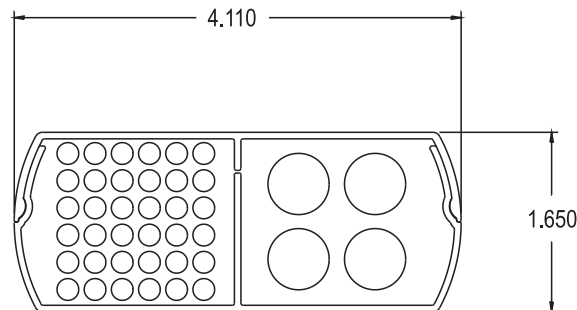
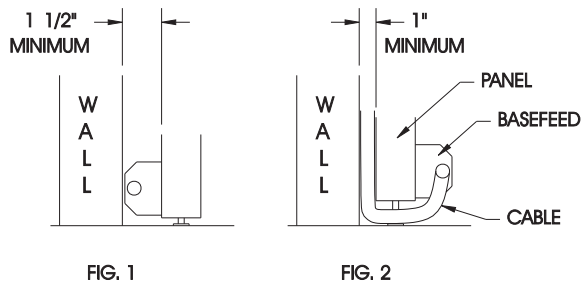
Power infeeds are available as base feed and top feed. Base infeeds fill one of the receptacle locations in the rigid wireway of a panel's base raceway. Each base must be specified as for left or right. All other levels of power that are not connected to the base level circuits must be fed from top feeds. Top feeds are run from the ceiling, through a power pole, through the notches in the ends of the horizontal rails, and then connected to the rigid wireway.

Top Feed



Base Feed

Planning Guidelines



Standard 7' Power Pole	
Panel Height	Maximum Ceiling Height
30"	9'0"
42"	10'0"
54"	11'0"
66"	12'0"
84"	13'6"

Extended 10' Power Pole	
Panel Height	Maximum Ceiling Height
30"	12'0"
42"	13'0"
54"	14'0"
66"	15'0"
84"	16'6"

Base Feeds

When a base feed is going to be used between a panel and the building wall, the panels must be at least 1½" away from the wall to provide clearance (See Fig. 1). If the panels must be tight against the wall, the basefeed can be connected inside the station and the 6' cable run under the panel. The panel run requires a minimum of 1" between it and the wall for the basefeed cable to enter the junction box on the wall (See Fig. 2).

If the panels must be tight against the wall, another option is to use an Open Tile on the bottom of the panel.

Top Feeds to Base Level

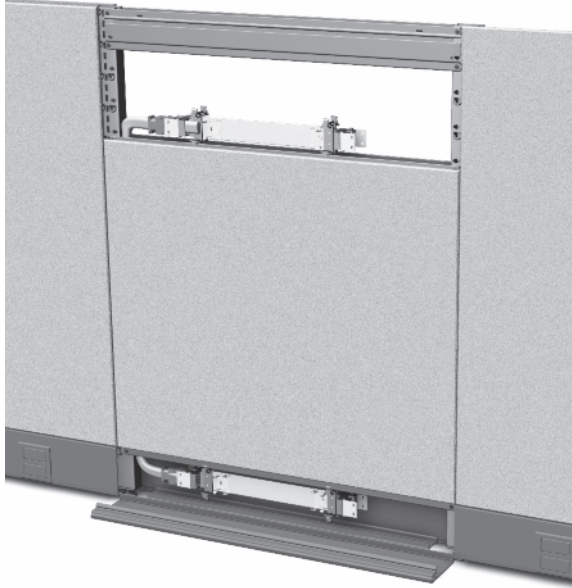
Standard top feed comes with a 7' aluminum power pole to go from the top of the panel to the finished ceiling. Use criteria at left for specifying a standard power pole.

When the finished ceiling height exceeds the maximum ceiling height, and top feed must be used, a 10 foot long power pole kit can be used. (See note below). Use criteria at left for specifying a long power pole.

Note: Any application requiring a long power pole should be installed next to an intersection.

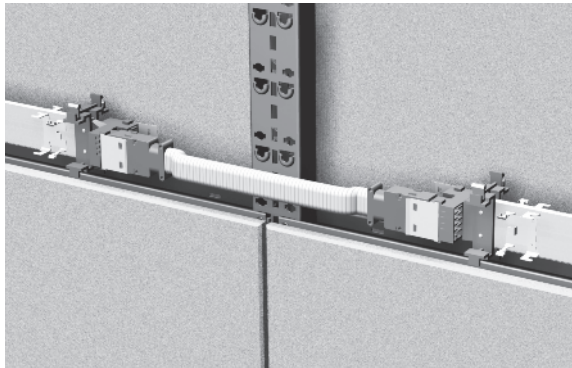
Planning Guidelines

ELECTRICAL POWER



Rigid Wireways

Rigid wireways mount to horizontal rails in the panel with two nylon clips. Rigid wireways hang from the horizontal rail in the base raceway (the horizontal rail is upside down) and attach to the top of the rail at all other heights. Rigid wireways are used in conjunction with raceway tiles at all heights except at base level. Rigid wireways can accept power infeeds, horizontal panel to panel jumpers, vertical jumpers, and receptacles.

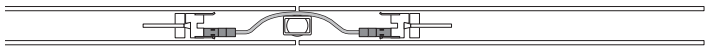


Horizontal Jumpers

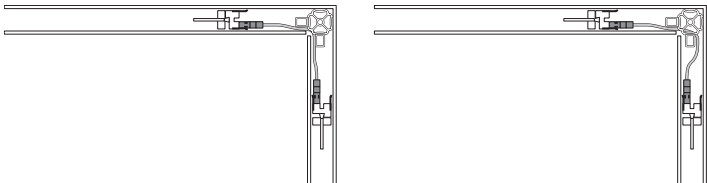
Horizontal jumpers are used to pass power from panel to panel between the rigid wireways. There are two length jumpers available. The short jumpers are used for in-line conditions and 90° corner conditions, while the long jumpers are used to pass straight through a panel intersection.

Planning Guidelines

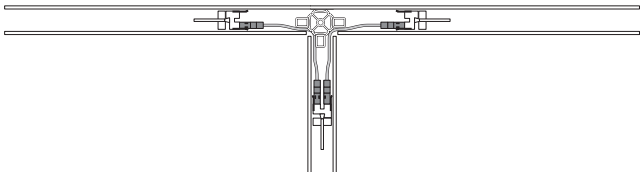
Horizontal Jumper Options Base Heights



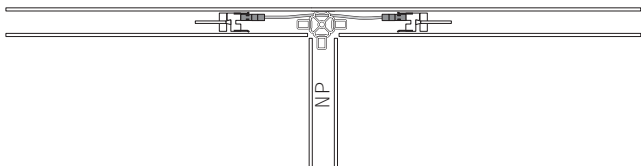
Panel to Panel Connection
Use (1) Panel Jumper -17



90° Corner
Use (1) Panel Jumper -20. Route Panel Jumper-20 Either Way Shown Above



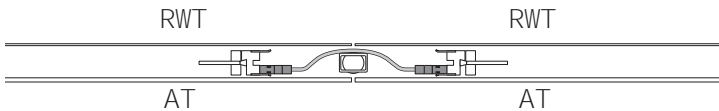
Two Inside 90° Corners
Use (2) Panel Jumpers -20



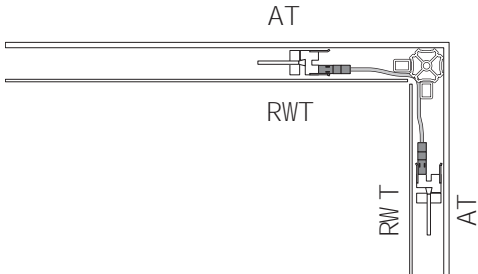
Three Way
Use (1) Panel Jumper -20

Horizontal Jumper Options Non Base Heights

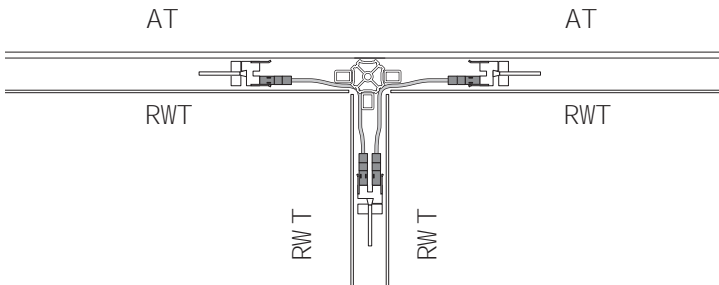
Note: A raceway tile (RWT) must be specified to allow the panel jumper to pass by the vertical posts. The vertical jumper will NOT fit between an accoustical tile (AT) and the vertical post.



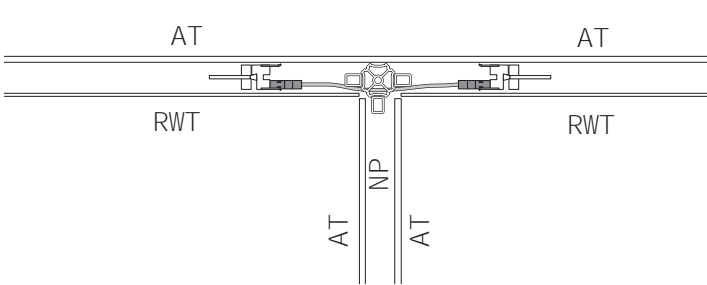
Panel to Panel Connection
Use (1) Panel Jumper -17



90° Corner
Use (1) Panel Jumper -20



Two Inside 90° Corners
Use (2) Panel Jumpers -20



Three Way
Use (1) Panel Jumper -20

Planning Guidelines

ELECTRICAL POWER

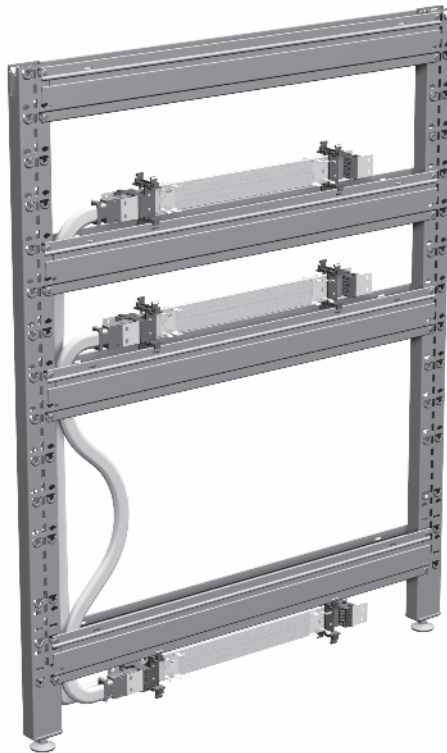
Vertical Jumpers

Vertical jumpers are used to pass power between various heights in a panel, through the notches at the ends of all horizontal rails. There are two length jumpers available. The long jumper is used to route power from the base to any height in the panel, while the short jumper is used to route power between two directly adjacent heights in a panel (ADA to worksurface height or worksurface height to standing height). When the long vertical jumper is used, any excess cable is stored in the cavity just above the base raceway. Vertical jumpers utilize round – shaped steel conduit.

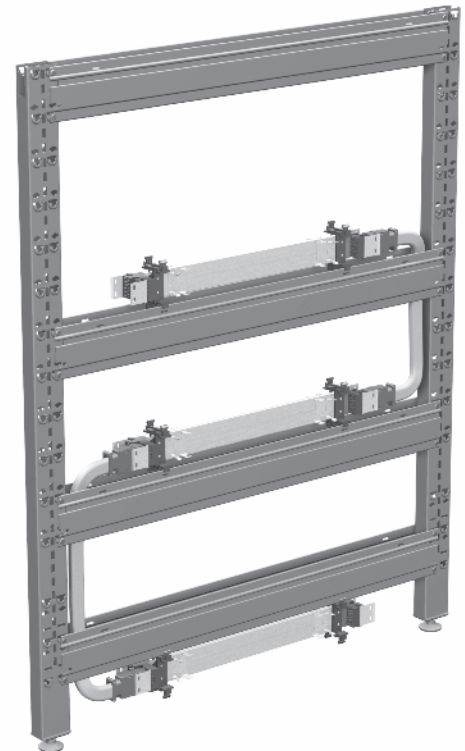
Horizontal rails can be added and removed with the jumpers in place (unless both ends of a horizontal rail are filled beyond 50% capacity with cables and/or jumpers).

Note: Filling both notches of the rail with cables and/or jumpers beyond 50% capacity can “trap” the horizontal rail in place, making it difficult to reconfigure a panel without disturbing the cables.

Vertical Jumper Options

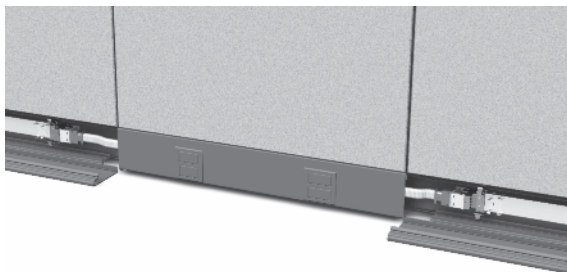


Long Jumper



Short Jumper

Planning Guidelines



Power Pass Through

Power pass through cables pass power from one rigid wireway, through a non-powered panel, to the rigid wireway of a third panel. These cables connect to the horizontal jumper from the rigid wireway of one panel, pass through the base raceway of the adjacent panel, and snap into the horizontal jumper connected to the rigid wireway of the next adjacent panel.

Planning Guidelines

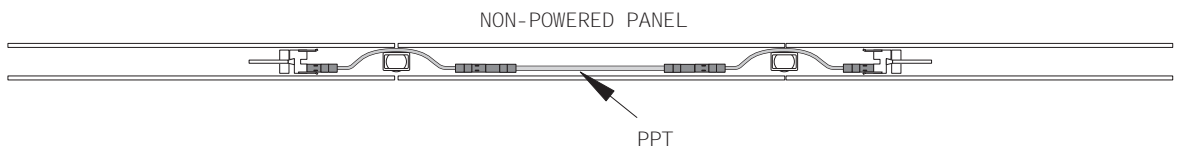
ELECTRICAL POWER

Typical Power Pass Through Connections

Note: Power pass throughs (PPTs) are the same length as the rigid wireways and are connected to other powered panels or PPTs using the appropriate length panel jumpers. Jumpers are specified the same as they would if connected to power panels. The PPT specified is always the same "named length" as powered panels. EXAMPLE: A 36" non-powered panel uses a 36" PPT.

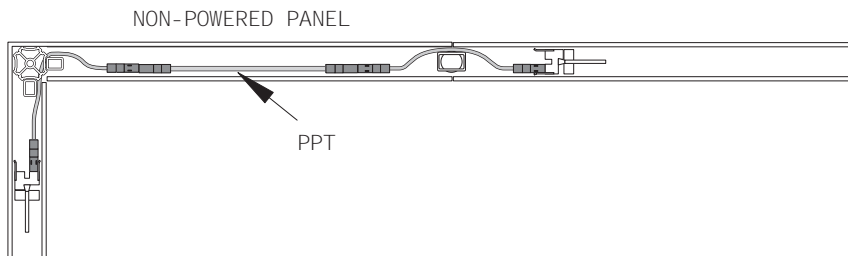
Note: For non base heights (ADA, worksurfaces, and stand-up) PPTs must be routed behind raceway tiles, they CANNOT fit behind acoustical tiles.

SAMPLES:



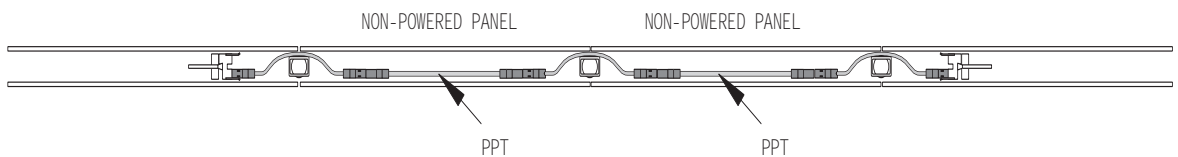
Drawing P.

Use (2) panel jumpers -17. Use (1) PPT the same "named length" as the non-powered panel.



Drawing Q.

Use (1) panel jumper -17, use (1) panel jumper -20, use (1) PPT the same "named length" as the non-powered panel.

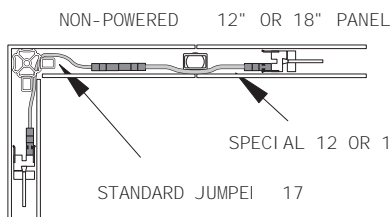


Drawing R.

Multiple PPT non-powered panels may be connected together by alternating the appropriate PPTs and panel jumpers.

12" and 18" PPTs

Note: 12" and 18" PPTs require only one horizontal jumper. The other side of the PPT will plug directly into the rigid wireway.



Drawing S.

12" and 18" PPT situations. Use (1) panel jumper (both around a corner or for adjacent in-line connections). Use (1) special PPT the same "named length" as the non-powered panel.

Planning Guidelines

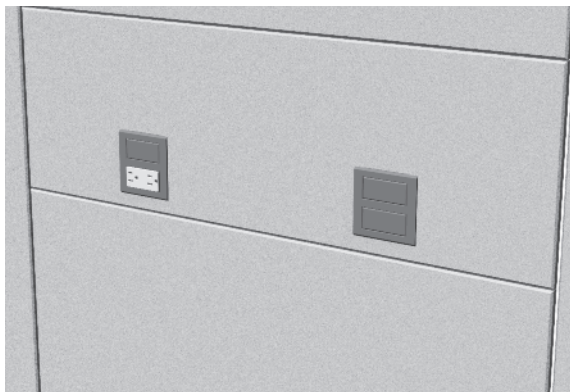


Receptacles

Duplex power receptacles are snapped into place on the rigid wireway and can be used at any power height. Receptacles are labeled with the circuit number to which they are wired.

To access power in a panel, press fit the receptacle into position on the rigid wireway.

When accessing at base raceway level, remove the base raceway filler plate in the base raceway door and replace it with a bezel. Orient the bezel such that the open space is at the top of the bezel and the data filler plate is at the bottom.



When accessing at heights other than the base raceway, orient the bezel such that the open space is at the bottom of the bezel and the data filler plate is at the top.

Planning Guidelines

8/10 ELECTRICAL POWER WIRING DETAILS

Circuit Wiring Details

The wiring configuration of the 6-2-2 electrical system is 6 conductors (12 gauge), 2 neutrals (10 gauge), and 2 grounds (12 gauge). All receptacles are rated at 15 amp, 120 volt capacity.

The following are standard building power sources and the method of wiring to the 8/10 electrical system.

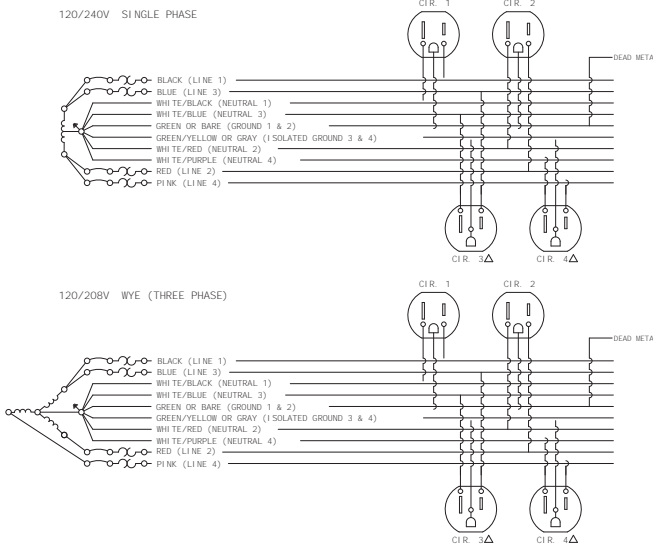
Note: It is required by most state and local codes to have a licensed electrician connect the 8/10 electrical system to the buildings power source.

Power Infeed to Building Connections

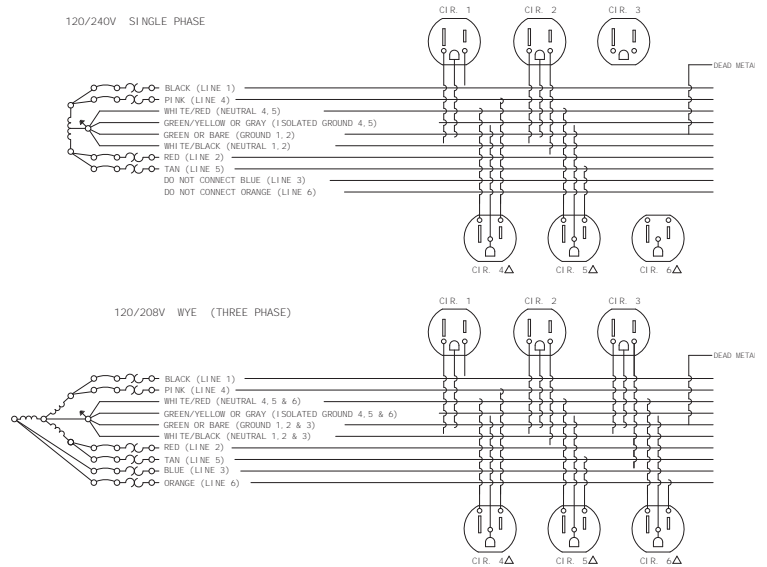
Have a certified electrician hard wire the panel power infeed to the building power source according to the National Electrical Code and any other applicable local codes. See the connection diagrams for proper wiring connections to available power.

Connection Diagram

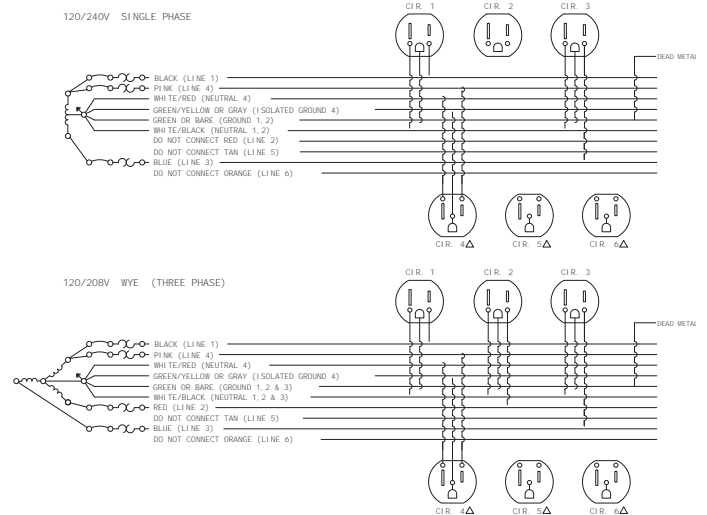
810 WIRE ELECTRICAL
4-4-2 CONNECTION DIAGRAMS



810 WIRE ELECTRICAL
6-2-2 CONNECTION DIAGRAMS



810 WIRE ELECTRICAL
6-2-2 CONNECTION DIAGRAMS
TO AN 8-WIRE BUILDING



Planning Guidelines

ELECTRICAL POWER

Frequently Used Electrical Terms

Volt: The force that moves an electric current. The Universal electrical system utilizes 120 volts as standard.

Amperes: The amount of electrical current flowing in a circuit. The current is the voltage of the circuit divided by resistance (ohms) in the circuit.

The Universal electrical system is comprised of four circuits. Each circuit has a maximum current carrying a capacity of 20 amps at 120 volts.

Note: The National Electrical Code (NEC) recommends that continuous use circuits (used 3 or more hours per day) be loaded to only 80% of rated capacity. Therefore, computer labs should not exceed a 16 amp load per circuit, which is two to three computers.

Wattage: A watt is a unit of power (rate of doing work). It is a function of volts and amperes; i.e., a light bulb which is rated at 100 watts at 120 volts will draw .833 amps. OEI's 20 amp circuit can carry enough current for 24 of these light bulbs (NEC only allows 19).

Circuit: A complete electrical path; the purpose of which is to provide current to power electrical items.

Hot wire: That path of a circuit which is connected to the supply side of the power source (either generator or battery). This is the path that contains a fuse or circuit breaker. OEI uses six hot-wires in its 6-2-2 electrical system.

Neutral: That path of a circuit which is connected to the return side of the power source (either generator or battery). This path is connected to ground at the main service box. OEI uses two oversized neutrals in its 6-2-2 electrical system.

Ground: Ground path - a conductor used to conduct stray electrical current safely back to earth. A ground-wire is not required to complete a circuit; i.e., make a light bulb glow or a motor turn. OEI includes two ground-wires for safety purposes in its Universal electrical system.

Isolated Neutral: A neutral which is used for only isolated circuits. OEI has one isolated neutral in its Universal electrical system.

Isolated Ground: A ground which is used for only one circuit, this ground is specifically grounded to its own dedicated grounding rod. OEI has one isolated ground on its standard Universal electrical system.

Isolated Circuit: A circuit which has a separate hot, isolated neutral, and isolated ground, thereby causing it to be electrically separated from other circuits.

There are up to three isolated circuits in its Universal electrical system. Some architects and facilities people state that all computers must be plugged into isolated circuits. This is not true because:

1) OEI's oversized neutral allows the harmonics of three circuits to cancel each other out (neutralize) to a net effect of zero.

2) Circuits that utilize all isolated neutrals tend to overheat because they don't cancel themselves out.

Single Phase: A type of circuit used primarily in private residence construction. The Universal electrical system can be wired to single phase. This allows four circuits, leaving out circuits number three and six.

Three Phase: A type of circuit used primarily in commercial construction. Main advantage is that motors run more efficiently on three phase than on single phase. The Universal electrical system can be wired to three phase. This allows for all four circuits.

Five Wire Circuits: Some commercial buildings have five wires in their walls instead of eight wires. The Universal electrical system can be wired to only five wires which will provide for three circuits, leaving out the isolated circuit.

Find out if the building has panel surge protection at the service. If not, a low cost solution would be to use retail available surge suppressors rated at 60 to 70 joules.

Harmonics: When current drawn by the load is at a higher frequency than 60 cycles. Personal computers tend to draw current at 180 cycles.

NEC: National Electrical Codes.

Planning Guidelines

ELECTRICAL

Guidelines

Plan circuits based on the actual amperage draw of known equipment.

Be aware of the NEC requirement that limits circuit capacity to 80 percent (16 amps) for circuits with continuous operating loads (more than 3 hours, e.g. lighting, computers, etc.).

Accommodate unplanned needs and future expansion by being conservative in your initial circuit loading (12 to 16 amps per circuit).

Never exceed maximum capacities or local code limitations.

KNOW YOUR LOCAL CODES! They always take precedence.

Determine the equipment needs for any isolated ground circuits and plan circuit loading and power feeds accordingly.

As far as possible, try to balance loads between circuits. Plan a circuit load that is within 50 percent of the loads on the other circuits. (Balance does not apply to the isolated circuits.)

Place receptacles for known equipment only, never exceeding maximums allowed per code (13 duplexes per circuit, or local code restrictions, whichever is smaller).

If any single piece of equipment draws more than 60 percent of the available amperage of a circuit, it must be the only device connected to that circuit. Example: A copy machine draws 15 amps; therefore, nothing else can be connected to the circuit the machine is on.

Always have your electrical layout plans reviewed by a licensed electrician or electrical inspector to ensure that they meet all code requirements.

Priority Sequence for Electrical Layout

1. Plan circuits based on actual amperage needs.
2. Plan for future growth and additions.
3. Consider and plan for large loads separately.
4. Balance loads across shared circuits.

Typical Amperage Loads

*CAD Station.....	10.00 – 20.00
Calculator.....	25
*Coffee Pot.....	8.50 – 15.00
Clock.....	03
Radio.....	03
Stereo.....	33
Tape Recorder.....	07
*Laser Printer.....	6.00 – 10.00
*Desktop Copier.....	10.00 – 15.00
Electric Eraser.....	25
Fan.....	1.10
*Freestanding Copier.....	15.00 – 20.00
Pencil Sharpener.....	1.00
Task Light (4').....	67
Adding Machine.....	35
Letter Opener.....	1.90
Dictaphone.....	25
Fax machine.....	50
Word Processor.....	1.50 – 3.00
Postage Meter.....	2.80
Tape Dispenser.....	1.80
Personal Computer.....	3.50 – 8.00
Desktop Printer.....	1.50 – 5.00
CRT.....	1.00 – 3.00
*Space Heater.....	12.50
Typewriter.....	1.50
Microfiche Reader.....	85
Transcriber.....	15
A.C. Adapter.....	05
100-Watt Lamp.....	80

*Some appliances such as coffee pots, copiers, printers, and heaters consume most of the amperage available on a circuit. It is recommended that these devices be connected directly to the building power supply, leaving flexibility for other circuit planning.

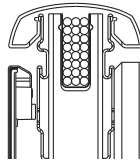
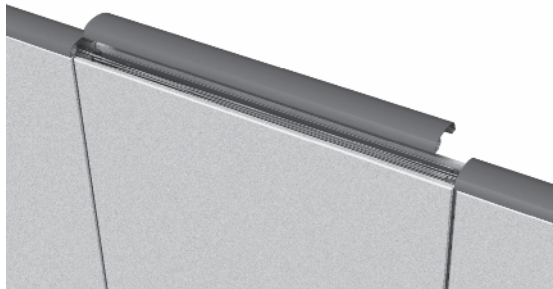
Loading Capacities

	Maximum Loan Rating	
	Circuit	Per Distribution System
Circuits	1	4
Amps	20	80
Receptacles	13	52

Planning Guidelines

DATA CABLE MANAGEMENT

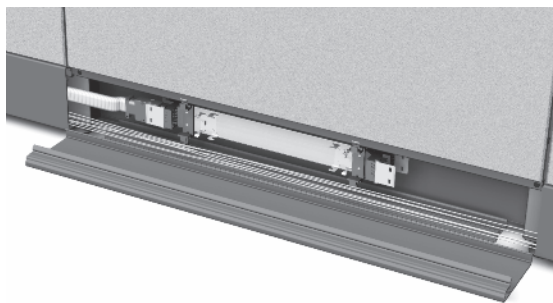
PowerWorks panels allow data cables to be “laid in” horizontally throughout the panel to ease installation and reconfiguration of data cables. A panel in the middle of a run can be completely disassembled leaving all of the cables undisturbed. Data cable routing is most easily accomplished after the frame of the panel has been set up but before the tiles and trim are installed. Data cables can be managed in several locations in the panel: under the top trim, in the base raceway, behind acoustic tiles, behind raceway tiles and vertically through the ends of horizontal rails. A 66 inch high panel with four levels of power can manage 300 to 400, 4 pair UTP cables.



Under the Top Trim

Data cables can be laid into the space under the top trim. Simply remove the top trim and lay the cables in place. Cable guides are available (purchased separately) to enforce a 1" minimum bend radius at 90° intersections (acoustical tile 90° cable guard). Cables are further protected in the top trough by the top trough cable guard, which is included as standard with every vertical post.

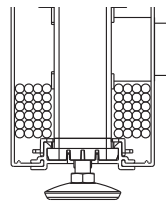
A total of 24, 0.20 dia, 4 pair UTP data cables can be run under the top trim.



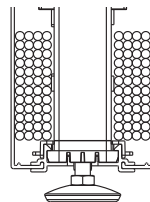
In the Base Raceway

Cables can be laid into both sides of the base raceway. To open the base raceway, push down on the top of the raceway and swing the door towards the floor. If power is present, the data cables should be run in the space underneath the rigid wireways. A steel power/data separation septum that mounts between the vertical posts to provide separation between power and data, can be purchased separately.

Lay the cables in the raceway as required. To close the base raceway, simply close the door and it will automatically snap into place. Only one hand is required to open and close the door.



With rigid wireway

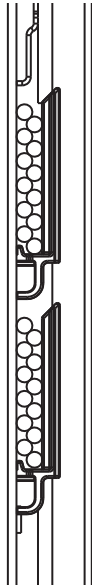
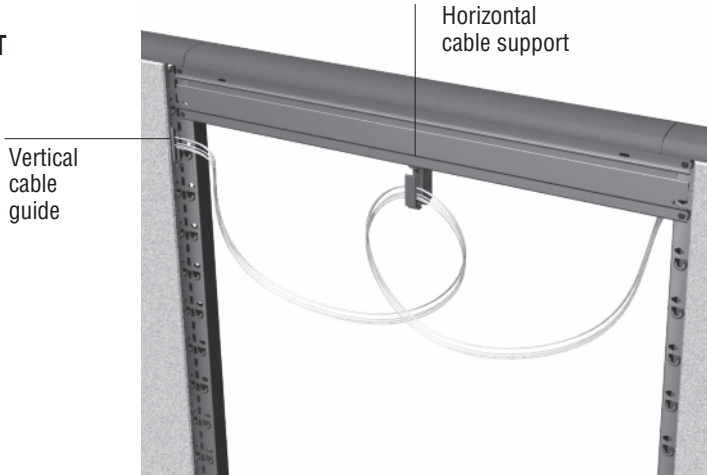


Without rigid wireway

The base raceway with rigid wireway can hold 24, 0.20 dia., 4 pair UTP data cables per side for a total of 48. A base raceway without rigid wireway can hold 48 on each side for a total of 96.

Planning Guidelines

DATA CABLE MANAGEMENT



Behind Acoustical Tiles

Data cables are managed behind acoustical tiles by using vertical cable guides and horizontal cable supports. Vertical cable guides hold and protect cables that run from panel to panel. Vertical cable guides also conceal the data cables as they are routed between tiles. A second type of cable guide insures that a one inch bend radius is maintained. Acoustical tile horizontal cable supports help support the cables in the center of a panel, as well as allow excess loops of cable to be hung from them.

Each vertical cable guide behind an acoustical tile can hold twelve, 0.20 dia. 4 pair, UTP data cables.

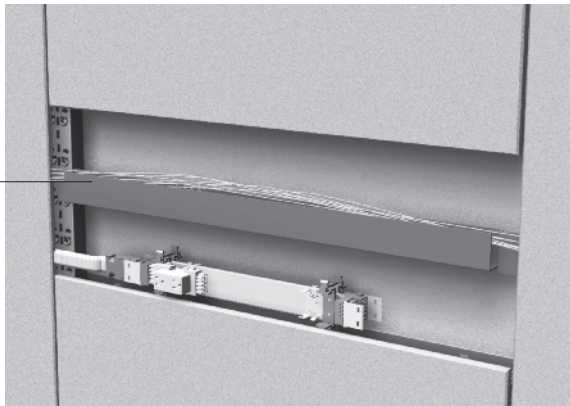
Refer to page 78 for the total number of vertical cable guides allowed for each tile height. Each side of the horizontal cable support can hold 12, 0.20 dia. 4 pair, UTP data cables, which is the equivalent of the capacity of one vertical cable guide. One of the “one inch radius” cable guards protects cables on the inside of a 90° corner while the other is used in all other conditions. The guards snap into the slots on the vertical post.

Before routing cables, snap the vertical cable guides into the vertical posts and twist the horizontal cable supports into the horizontal rail or gang them to each other, at the desired height. Plan carefully to be sure worksurfaces and overheads will not limit your future access to the cables. Refer to Cable Guide Diagram on page 78. Once the guides and supports are in place, the cables can be laid in.

It is advisable to store excess loops of cable in every other panel to allow for expansion and reconfiguration.

Planning Guidelines

Raceway tile cable trough



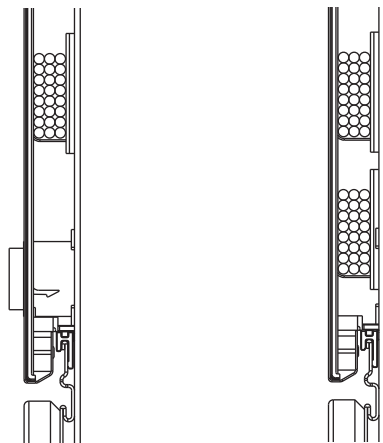
Behind Raceway Tiles

All raceway tiles include a steel cable trough, which hangs in the slots in the vertical posts. This cable trough is hung near the top of the raceway tile to allow enough room below it to mount a rigid wireway to the horizontal rail. Cables are simply laid into the trough. Convenient slots and holes are included in the trough to secure cables that are terminated at data connectors located in the same bezel as the power duplex receptacles.

The raceway tile is shipped completely upholstered and includes flexible end pieces which conceal all power and data cables as they are routed between tiles.

Each bezel includes one filler plate which can be snapped out, turned around, and snapped back into place to allow cables to exit the panel without the need for a data connector and face plate. The filler plate can also be removed and be replaced with a modular furniture data face plate. See the Data Cable Management Planning Guidelines (page 79) for typical manufacturers of these data face plates.

A total of 24, 0.20 dia. 4 pair, UTP data cables can be routed in the cable trough behind a raceway tile. If a rigid power wireway is not used with a raceway tile, then two cable troughs can be utilized which allows for a total of 48, 0.20 dia. 4 pair UTP data cables behind a raceway tile.



With rigid wireway

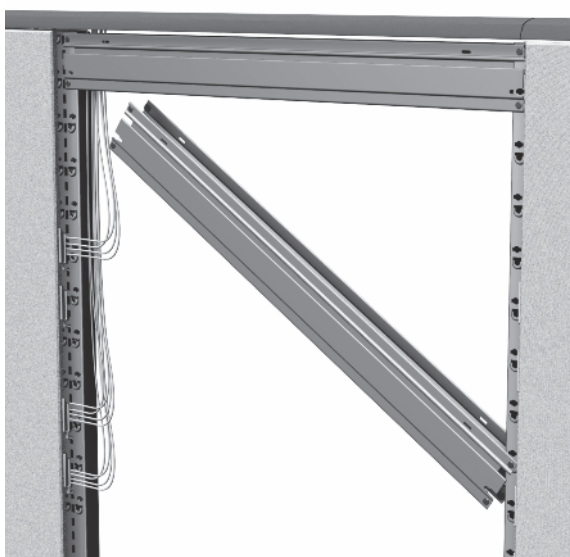
Without rigid wireway

Vertically Through Horizontal Rails

Cables can be managed vertically within a panel along the interior sides of the vertical posts. Cables are straddled by the notches cut into the ends of all horizontal rails. A cable guard is available for the notch of the horizontal rail to enforce a 1" minimum bend radius as the cable moves from a horizontal to vertical direction.

Horizontal rails can be added and removed with the cables in place (unless both notches of a horizontal rail are completely filled with cables). At least 24, 0.20 dia, 4 pair UTP data cables can be routed through each notch of a horizontal rail. Twenty four cables represent approximately 50% fill capacity of each notch.

Note: Filling both notches of the rail beyond 50% capacity can "trap" the horizontal rail in place, making it difficult to reconfigure a panel without disturbing the cables.



Planning Guidelines

DATA CABLE MANAGEMENT

Cable Management Capabilities

Cable management capabilities within panel and frame shall be as follows:

Page	Size	Location	4 Pair UTP 0.20 Dia.		4 Pair UTP 0.16 Dia		25 Pair	
			Side 1	Side 2	Side 1	Side 2	Side 1	Side 2
71	.65 x 1.90	Top Trough	24		32		10	
72	.31 x 2.0	Acoustic Tile Vertical Cable Guide	12	12	16	16	6	6
73	1.16 x 2.45 per trough	Raceway Tile w/power	24	24	32	32	12	12
73	1.16 x 2.45 per trough	Raceway Tile w/o power	48	48	64	64	24	24
71	.98 x 3.4	Base Raceway	24	24	32	32	12	12

The following shall be the number of vertical cable guides that fit vertically behind an acoustic tile:

Acoustical Tile Height	Maximum # of Vertical Cable Guides
12"	2
18"	4
24"	6
30"	8
36"	10
42"	12
48"	14
54"	16
60"	18
66"	20
72"	22
78"	24

For example:

12" high acoustical tile can use two vertical cable guides. Each guide can hold 12 - 4 pair UTP .20 dia. cables for a total capacity of 24 (2 x 12 = 24).

Lay-in cabling shall be supported throughout the panel. Cabling shall never be threaded through cutouts in frame. Panel horizontal rails shall be removable to allow for removal of vertically run cables within a panel.

Planning Guidelines

Notes on Reconfiguration

It is common while installing cable to store excess cable in the form of loops within some panels to allow for future reconfiguration of panels and workstations. PowerWorks supports this practice by providing two ways to store extra cable inside of the panel. Loops of cable can be hung from horizontal cable supports behind acoustical panels or set into the opening of horizontal rails.

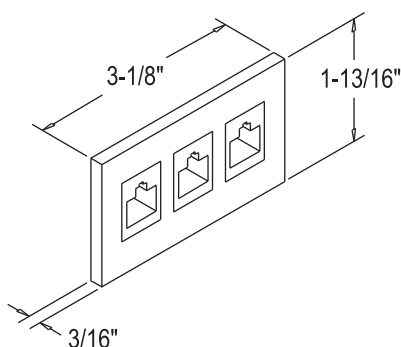
Panels can also be reconfigured without disturbing the cables. Cabling is always laid-in when cables are run horizontally in the system. This allows cables to be pulled out at any point along a run without having to disconnect cables from computers, printers, telephones, etc. The way in which cables are managed vertically through the panels allows horizontals to be added and removed without disturbing the cables. When a horizontal is removed, the notch at the end of the rail is open allowing the cables to remain undisturbed.

See the Reconfiguration section of this guide (pages 49-59) for specific examples.

Base and Tile Raceway Data Access

PowerWorks standard power and data bezel in base raceways and raceway tiles supports access to data cables in two ways. The bezel has two rectangular openings for power and data access. One opening is used for a duplex power receptacle, and the other is covered with a removable filler plate. This filler plate can be snapped out, reversed in position, and snapped back into place to allow cables to pass through the base raceway or raceway tile without terminating at a data connector in a modular face plate. The filler plate can also be removed and replaced with a modular furniture data plate. These plates are supplied by most major data connector manufacturers and are designed to snap into one or both of the openings in the power/data bezel. OEI does not provide the modular faceplates or data jacks. Typical manufacturer modular face plates that are compatible with PowerWorks are:

Lucent (AT&T)	M-Series
AMP	Mode Interconnect Modules
Panduit	Mini-Com Face Plate
Ortronics	Series II IMO's Modular Furniture Bezel
Leviton	Quickport Modular Furniture Face Plates
Siemon	CT-MFP-(color)



"Typical" Data Plate Dimensions

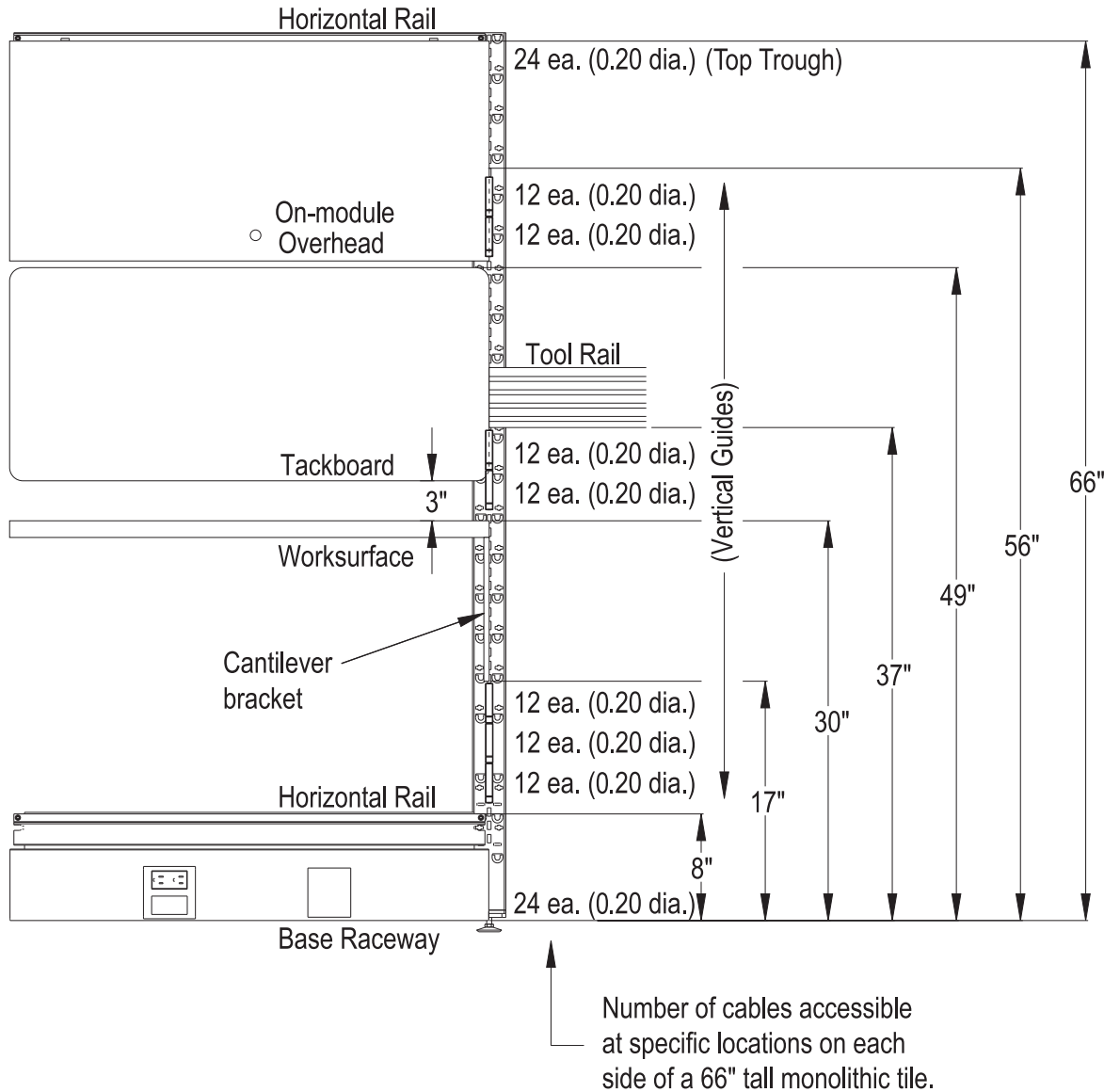
*Data openings are 1.375" x 2.700".

Planning Guidelines

DATA CABLE MANAGEMENT

Vertical Cable Guide Diagram

Use the Vertical Cable Guide Diagram below to determine the recommended placement of vertical cable guides based on your reconfiguration. Also note the typical number of data cables and possible locations for the cables on a panel that also supports an overhead cabinet or shelf, tackboard, tool rail, and worksurface.



Planning Guidelines

Frequently Used Data Terms

Category: Three, Four, Five - Standards developed by EIA/TIA for Building Telecommunication Cabling System. Applies to cables, connecting hardware and installation.

UTP: Unshielded Twisted-Pair Cabling System

This is where the category designation first started. Cat 3, 4, & 5 first applied only to cables.

Most common Cat 5 cable is four pair.

RJ: Remote Jack.

RJ45: Connector used for four pair cable. Available in Cat 5. Used mostly for computers.

RJ11: Connector used for three pair cables. Not available in Cat 5. Used mostly for telephones and modems.

Data Line Voltage: Voltage in data cables varies according to the hardware manufacturer; i.e. IBM, Hewlett Packard, DEC, Wang.

Voltage usually changes continually in data lines but is always around one volt.

Line Loss: Loss of signal due to resistance of length of cable and number of connectors. Category 5 guidelines prevent line loss.

Fiber Optics: Method of transferring data through a glass filament. Data is carried via light. No electricity, no EMI. Impervious to electrical noise. Bending of the cable is critical.

EMI: Electro Magnetic Interference. The condition that exists when the electric field of a conductor interferes with the signal of a data carrying conductor.

Basic Rules for Compliance with Cat 5

- 1) Use verified cable "UTP" (will be marked on the cable jacket)
 - Four Pair
 - Different Twist Patterns i.e. 1/2", 5/8", 3/4", 1"
- 2) Use Category 5 designated connecting hardware
 - RJ45 - on the front
 - Must be marked CAT 5 on the piece itself
 - AT&T 100 type contacts on the rear
- 3) Use Category 5 Patch cables (from equipment to patch panel)
- 4) Install to Category 5 standards
 - a) No more than 1/2" of the untwisted wire at the point of termination. This prevents "Near End Cross Talk": (NEXT)
 - b) Keep UTP cabling away from sources of EMI: fluorescent lights, electric panels, light dimmers, electric motors
 - c) Length of horizontal wiring should not exceed 295 feet.
- 5) Always check with local codes prior to installation.

Technical Specifications

PANELS

Fabric Panels

Panels available with Noise Reduction Coefficients of .65 and .80 in heights of 30", 42", 54", 66", and 84". The panel widths offered shall be 12", 18", 24", 30", 36", 42", 48", 54", and 60". All panels of 24-60" wide can readily accept electrical components. The panel shall be 3.5" thick.

The modular office systems acoustical properties will have been tested at independent laboratories using random production samples. The acoustical properties shall be determined by using the following testing procedure: Noise Reduction Coefficient (Test Method ASTM C-423). The standard acoustical panel tiles shall have an NRC rating of at least .65. The highly acoustic panel tiles shall have a rating of .80.

Vertical Posts

Full posts (used in-line & end-of-run) shall be available in heights of 30", 42", 54", 66" and 84" and include a glide that allows 4" leveling adjustment. Shall be constructed of 16 gauge cold rolled steel CRS with a black E-coat finish. Shall contain slots in 1" increments to allow component hanging and formed out pockets accept rivets of horizontal rails.

Stackable full post (used in-line & end-of-run) shall be available in heights of 12", 18" and 24" and include an extruded aluminum stacking splice to stack on full post. Shall be constructed of 16 gauge CRS with a black E-coat finish. Shall contain slots in 1" increments to allow component hanging and formed out pockets accept rivets of horizontal rails.

Half posts (used at intersections) shall be available in heights of 30", 42", 54", 66" and 84" and include a glide that allows 4" leveling adjustment. Shall be constructed of 16 gauge CRS with a black E-coat finish. Shall contain slots in 1" increments to allow component hanging and formed out pockets accept rivets of horizontal rails.

Stackable half posts (used at intersections) shall be available in heights of 12", 18", and 24" and include an extruded aluminum stacking splice to stack on half post. Shall be constructed of 16 gauge CRS with a black E-coat finish. Shall contains slots in 1" increments to allow component hanging and formed out pockets accept rivets of horizontal rails.

Integral glide shall provide 4" height adjustment. Shall be mounted to post with an injection-molded housing. Integral light block shall be constructed of .030 black chipboard and include black, injection-molded wire protector and top cut-out.

Horizontal Rails

Horizontal rails shall be constructed of 16 gauge CRS with black E-coat finish, and eight rivets per horizontal member to attach to vertical members. Shall be offered in lengths of 12", 18", 24", 30", 36", 42", 48", 54", and 60" with mounting holes to accept electrical wireway in 24" and wider rails. Shall contain an integral off-module component hanging track.

Fabric Acoustical Tiles

Tile upholstery shall be stretched over the frame and adhered to perimeter of tile. Tiles shall hang on frame by an injection-molded hook. Connection shall interlock horizontal frame member to vertical member. Tiles are field replaceable.

.65 Noise Reduction Coefficient upholstered tiles shall be constructed of 20 gauge, prefinished steel. Frame shall be joined together by injection-molded corner blocks, and spot welded in place. Core shall consist of 7/16" thick perforated mineral fiberboard and 3/8" thick fiberglass overlay.

.80 Noise Reduction Coefficient upholstered tiles shall be constructed of 20 gauge, prefinished steel. Frame shall be joined together by injection-molded corner blocks, and spot welded in place. Core shall consist of 7/16" rigid fiberglass board and 3/8" thick fiberglass overlay.

Raceway Tiles

Raceway tiles shall be fabric wrapped. Fabric shall be adhered to face of tile. Raceway tiles shall be constructed of 20 gauge steel. Raceway tiles 24" and wider shall contain knockouts to accept receptacle and data jacks. Shall include steel trough for data cabling. Injection-molded ends shall mount tile to panel and provide flexible seal to conceal cables between tiles. Shall be available in 12" height only and widths of 12", 18", 24", 30", 36", 42", 48", 54", and 60".

Technical Specifications

PANELS

Glass Tiles

Glass tiles shall be constructed of an extruded aluminum frame. Frame shall be joined together by steel corner bracket plates and screwed into place. Glass shall be supported by PVC extrusion which slides into the aluminum frame. Shall be available in heights of 12", 18", 24", 30", 54", 66", and 84" and widths of 12", 18", 24", 30", 36", 42", and 48". Glass shall be 1/4" thick tempered or tinted.

Open Tiles

Open tiles shall be constructed of an extruded aluminum frame. Frame shall be joined together with steel corner brackets plates. Shall be available in heights of 12", 18", 24", 30", 42", 54", 66", and 84" and widths of 12", 18", 24", 30", 36", 42"and 48".

Base Trim/Raceway

All base trim/raceways 24" and wider shall readily accept electrical rigid wireways and data cables. The base raceway shall consist of two doors (one on each side of the panel). Each door shall be hinged to raceway bottom with integral living hinge and held in place with injection-molded base lock. Base shall snap onto vertical post glide housing. Shall ship standard with filler plates, which are easily removed to accommodate electrical receptacles and/or data jacks. Doors and bottom shall be .080 thick PVC.

Technical Specifications

PANEL TRIM AND ACCESSORIES

Panel-to-Panel Connectors - The panel-to-panel connector must be universal for simplicity in specification and inventory. In-line connections shall include a full vertical post shared between two panels. 90° Intersections (2-way, 3-way, & 4-way intersections) shall include a half post which bolts into an extruded aluminum connector block. Open portions of universal connectors can accept universal corner trim.

Top Cap

All panels shall have a top trim cap made from rigid PVC with trim color permeating throughout the entire part with textured surface to hide fingerprints. Installation of top cap shall be a press fit without the use of tools. The top cap shall extend the full width of the panel.

Universal Corner Trim

Universal corner trim shall be constructed of .080 thick extruded PVC with integral flexible seal. Shall snap into open portions of corner connector block. Trim shall be extruded PVC with the trim color permeated throughout the part or fabric covered.

Variable Height Universal Trim

Variable height universal trim shall be constructed of .080 thick extruded PVC with notch to provide clearance for horizontal rail on lower height panel. Shall snap into open portions of corner connector block. Trim shall be extruded PVC with the trim color permeated throughout the part or fabric covered.

Adjustable Wall Mount

The adjustable wall mounts shall consist of a formed steel channel enclosed in a steel "U" channel to allow panels to be attached to existing building walls. This unit shall have a total adjustable depth of 1¼". Method of attachment to the existing building depends on the existing wall construction.

Panel End Caps

All exposed ends of a panel run shall be covered with an end-of-run cap. End-of-run caps shall be made from extruded rigid PVC with the trim color permeated throughout the part and shall be satin-textured to hide fingerprints. End caps shall be installed using a press fit method and require no assembly or disassembly tools. Panel end cap lengths shall correspond to panel heights. An end-of-run top cap shall be included with each panel end cap.

In-Line Variable Height Panel End Caps

All exposed ends of vertical posts shall be covered with a vertical trim cap when in-line panels are of different heights. Panel end caps shall be made from extruded PVC with the trim color permeated throughout the entire part and satin textured to hide fingerprints. End caps shall be installed using a press fit method and require no assembly or disassembly tools. Panel end cap lengths shall correspond to the different panel heights. An end-of-run top cap and bottom cap shall be included with each end cap.

2-Way Caps

Injection molded 2-way caps shall be available for spanning the gap when panels are assembled requiring a 2-way cap. The trim color shall permeate throughout the entire part.

3-Way Caps

Injection molded 3-way caps shall be available to cover the gap that exists when 3 panels are connected at right angles. The trim color shall permeate throughout the entire part.

4-Way Caps

Injection molded 4-way caps shall be available to cover the gap that exists when four panels are connected to each other at 90°. The trim color shall permeate throughout the entire part.

Off-Module Panel Mount

An off-module panel mount shall allow a panel to be connected at 90° along an adjoining panel at any point. Can be made at any height where a break in tiles exists. Does not allow for the transfer of power.

Door

Panel doors shall be available in 42" width and 84" height to provide visual and acoustical privacy. Panel door shall mount to an 84" high panel. The construction of the door shall be corrugated cardboard honeycomb wrapped by hardwood stiles, MDF rails, faced with hardboard and covered with high pressure laminate. The frames shall be powder-coated aluminum to match panel frames. The door shall be available non-locking or locking.

Technical Specifications

ELECTRICAL

The factory installed US standard electrical system supplied for the modular office system shall be an 8/10 electrical system. This design consists of either 6 hot wires, 2 neutral wires and 2 ground wires – (6-2-2), which provide 6 separate 20 amp circuits or 4 hot wires, 4 neutral wires, and 2 ground wires – (4-4-2) which provide 4 separate 20 amp circuits.

Power Options

Power shall be supplied through an 8/10 electrical system. For power at heights other than base height, the panel must be specified with a raceway tile at the appropriate height. Raceway tiles at least 30" in width shall allow for the mounting of up to two duplex receptacles per tile (24" width shall allow one per tile). Rigid wireway can be mounted to any horizontal rail and snaps in with injection-molded clips. Power shall be available at the following heights:

- a. Base-Height Power - found in the 6" base raceway of the panel. Accepts US Standard receptacles.
- b. ADA-Height Power - The fabric covered raceway tiles shall allow for installation of ADA Height receptacles. In accordance with ADA requirements, receptacles are located at 20" from the base of the panel.
- c. Worksurface-Height Power - The fabric covered raceway tiles shall allow for installation of worksurface height receptacles. Two duplex receptacles can be mounted in a tile. Receptacles are approximately 32" high.
- d. Stand-up-Height Power - The fabric covered raceway tiles shall allow for factory installation of stand-up height receptacles. Two duplex receptacles can be mounted in a tile. Receptacles are approximately 44" high.

Panel Rigid Wireway

A rigid one-piece wireway shall be attached to the horizontal rail by two injection-molded clips. The wireway design shall allow for the snap connection of the rigid wireway of one panel to another through the use of panel jumpers. All panels 24" and wider are ready to accept electrical components.

Base Infeeds

The electrical system shall permit power infeed along the base raceway of the panel. Base feed power shall feed into the rigid wireway of the panel raceway. The base feed shall be constructed of a 6' long 1/2" liquidtight flexible metal conduit that contains ten wires with a receptacle type design allowing for quick installation and removal. The infeed shall be specified as left or right configuration.

Top Infeeds

The electrical system shall permit power infeed through the top of the panel. The top feed assembly shall consist of a 7' extruded aluminum power pole, top cap and ceiling trim and 12' flexible conduit containing ten wires to span the ceiling with a snap fit attachment for connection to the rigid wireway. The interior of the power pole shall be divided for power and communication management.

Data Top Feed

The data top feed consists of a 7' aluminum extruded power pole, top cap, and ceiling trim pieces, but does not include power infeed wiring.

Power Pass Through

The electrical system shall provide for a method of passing power from one powered panel through the raceway of a non-powered panel and connected to the powered rigid wireway of the next panel. This power pass through shall attach from the one powered panel to the next with a snap fit connection that requires no tools for assembly.

Receptacles

The receptacles for the modular electrical system shall be injection molded components which press fit into the rigid wireways of the panels. The rated capacity of the duplex receptacles shall be 15 amps.

Electrical System Test Requirements

The panel system, including the modular US electrical components, shall be listed to applicable UL standards and requirements by Underwriters Laboratories, Inc.

Technical Specifications

WORKSURFACES AND ACCESSORIES

Worksurfaces shall be available with high-pressure laminate and three edge styles. Surface shall be constructed of a 45 pound density particleboard core. The laminate worksurface cores shall be encased in a .028" phenolic backer and a .030" face sheet of high-pressure laminate. Laminate worksurface edges shall be trimmed with either a 2mm PVC edge banding, extruded flat vinyl T-molding, or an postformed/elliptical front edge with color matched .024" vinyl edge banding on all other edges. All worksurfaces with a flat vinyl T-edge shall be pre-drilled for cantilever brackets and hanging pedestals. Corner surfaces shall be pre-drilled for keyboards. The 60" wide surfaces shall have an integrated steel reinforcement to allow adequate support for load bearing. Worksurfaces 60" and wider shall include additional left-hand cantilever bracket. The worksurface shall be supported by one piece 14 gauge steel cantilever brackets. These brackets shall prevent dislodgment by the use of an integral top bracket tooth.

Rectangular Worksurfaces

The standard rectangular worksurface shall be offered in widths of 24", 30", 36", 42", 48", 54", 60", 66", 72", 78", 84", 90", and 96". The worksurfaces shall be offered in 24" and 30" depths.

Mitered Worksurfaces

Mitered worksurfaces shall be offered in 24" and 30" depths with widths of 30", 36", 42", 48", 54", 60", 66", 72", 78", 84", 90", and 96". (NOTE: 30" deep surface with 24" and 30" widths not available). The mitered worksurface is not available with a flat vinyl T-molded edge.

90° Corner Worksurfaces

The 90° worksurfaces shall be available in: diagonal, curvilinear, dual curvilinear, and wing options in various widths and depths. The postformed/elliptical edge is not available in the laminate series when the front edge is curved. The postformed/elliptical edge shall be available on straight edged corner surfaces. The 90° diagonal corner worksurface will have a center round grommet as standard with T-mold edge. The curvilinear, dual curvilinear, and wing options will have rectangular shaped grommets as standard.

Countertops

The countertops shall be offered in widths of 24", 30", 36", 42", 48", 54", 60", 66", 72", 78", and 84" with a countertop depth of 16". Countertops shall also be available for 90° corner. Construction of the countertops shall be identical to the construction for the rectangular worksurfaces. The bracket to support the countertops shall consist of steel brackets and locking clips to prevent dislodgement. The brackets are mounted on the inside of the workstation allowing for a 4" extension over the top of the panel to conform with ADA guidelines. The countertops will also accommodate a task light.

Worksurface Support Panels

The support panels shall be available in the following sizes: 26" and 29" height and 24" and 30" depth. The worksurface support panel shall be 1¼" thick and constructed of 45-pound density particleboard with high-pressure laminate on both sides and high-pressure laminate on one side with fabric on the other side. The front edge of the high-pressure laminate panel shall be either a flat vinyl T-edge, 2mm PVC edge, or a postformed/elliptical edge. The worksurface support panel brackets shall prevent dislodgement from the vertical post of the panel. There shall also be an 18 gauge support bracket that attaches to the side of the support panel and to the underside of the worksurface.

Variable Height Front Surface Adjustment Mechanism

The variable height adjustment mechanism mounts underneath the dual curvilinear front worksurface and is available in black powder-coated finish only. The construction shall be steel construction finished in a durable black powder coat and offers front surface height adjustment and tilt. Height adjustment of 5¾" below and 7" above worksurface. Tilt adjustment of 9° positive and 15° negative. Mechanism has a 20# capacity spring assist for ease of adjustment.

Worksurface Grommets

Circular worksurface grommets, 2¾" I.D. and 3" O.D. shall be standard on T-edge worksurfaces. Trapezoidal shaped worksurface grommets 2½" x 6" shall be standard on 2mm PVC edge, postformed/elliptical edge laminate. The worksurface grommet shall be a two-piece molded component with the ability to remove the top cover to allow full access to the grommet hole.

Technical Specifications

Worksurface Vertical Fillers

A worksurface vertical filler shall be available to fill the gap when one worksurface drops from the standard 29" down to an adjacent 26" secretarial typing height worksurface. Worksurface vertical fillers shall be available in 24" and 30" widths. The height of the worksurface vertical filler shall be 3". The construction of the worksurface vertical filler shall be 16 gauge steel, powder-coated to match the trim colors of the panel. The worksurface vertical filler shall be attached to the worksurface through the use of wood screws.

Worksurface Wire Manager

Constructed of high-quality black velcro 7½" wide by 2" deep. The harness is fastened to the underside of the worksurface with pressure-sensitive adhesive. This wire manager supports cords and communication cables under the worksurface.

CPU Sling

Vertical CPU sling supports and stores the CPU beneath the worksurface providing a 360° swivel and 5½" travel range. The CPU sling is constructed of a steel mounting plate with 17¾" track which attaches to the underside of the worksurface. Front and back bumpers are included to prevent over travel. CPU sling is held by an adjustable strap to accommodate most computers and has a positive locking clamp. The CPU sling is finished in durable black powder coat.

Adjustable/Securable CPU Holder

The adjustable/securable CPU holder shall be available in three models: the basic with a slide mechanism permitting 5" of forward travel, the basic with adjustable covers for enhanced aesthetics, and the basic with covers and security kit. The CPU holder shall accommodate CPUs that are vertical 11" to 21", horizontal 2" to 10½", and a depth of 16" maximum for the security kit. Covers and security kits shall also be available for retrofit or replacement to the basic unit. Shall be available in black only.

Fully Adjustable Keyboard Tray

The keyboard mechanism shall be fully adjustable front-to-back with tilt adjustment and storability. The tray shall slide in and out on a ball bearing mechanism. The adjustable tray shall rotate 359°, adjust vertically 5½", and tilt 15° down and 15° up. The mechanism that supports the keyboard pad passes all appropriate BIFMA tests. The construction of the keyboard tray shall be molded plastic with non-skid surface and molded palm rest. The keyboard tray shall measure 22⅝" wide by 11" deep.

Fully Adjustable Keyboard Tray With Mouse Tray

The keyboard mechanism shall be fully adjustable front-to-back with tilt adjustment and storability. The tray shall slide in and out on a ball bearing mechanism. The adjustable tray shall rotate 359°, adjust vertically 5½", and tilt 15° down and 15° up. The mechanism that supports the keyboard pad passes all appropriate BIFMA. The construction of the actual keyboard tray shall be molded plastic with non-handed sliding mouse tray and molded palm rest. Keyboard tray shall measure 21¼" wide by 11¼" deep. The mouse tray measures 9" wide by 9" deep. The keyboard tray and mouse tray shall be available in black only.

Sliding Keyboard Drawer

Drawer shall consist of molded plastic tray mounted to steel ball bearing drawer slides. Drawer slides are 16" long with height adjustment at 3", 3½", or 4". The keyboard tray shall be molded plastic with non-skid surface and molded palm rest. Keyboard tray shall measure 22⅝" wide by 12" deep.

Sliding Keyboard Drawer With Mouse Tray

The sliding keyboard drawer with mouse surface shall be the same construction as the keyboard drawer with the addition of a non-handed mouse tray of molded plastic. The sliding keyboard tray with non-handed sliding mouse tray shall be molded plastic with non-skid surface and molded palm rest. Keyboard tray shall measure 21¼" wide by 11" deep. The mouse tray shall measure 9" wide by 9" deep. The sliding keyboard drawer with mouse tray shall be available in black only.

Center Drawers

A locking center drawer shall be available with a minimum size of 2½" height, 17⅞" width, and 17" depth. The center drawer shall be a one-piece molded design with ball-bearing slides.

Technical Specifications

OVERHEAD STORAGE AND ACCESSORIES

Overhead Cabinet Task Lights

Task lights which suspend from the shelf and overhead cabinet shall be available. The task light shall mount flush with the underside of the shelf and overhead cabinet. Task lights shall be offered in standard panel trim colors. The task light shall have a 9' cord. Task lights will be available with an electronic ballast. Options include a cool white lamp. Cords can be concealed by tucking between the reveal along tiles.

LED Overhead Cabinet Lights

LED lights which suspend from the shelf and overhead cabinet shall be available. The LED light shall mount recessed to the underside of the shelf and overhead cabinet via magnets or screws. LED lights are offered in a silver aluminum finish with white end caps and a black power cord. The LED light shall have a 9' cord. Options include an occupancy sensor (lights shut off after 30 minutes of inactivity) and the ability to interconnect multiple lights from a single power source. LED lights shall come standard with single-touch on/off and touch and hold 100%-15% continuous dimming pad with last state memory. LED lights shall have a rated life span of 50,000 hours and automatically turn off after 10 hours.

Low Shelf

The product shall be offered in widths of 24", 30", 36", 42", 48", 54", and 60". The overall dimensions of the end panels shall be 9½" high and 14½" deep. The shelf depth shall be 13¼". Each shelf shall include separate brackets which allow for either on- or off-module mounting. On-module shelf shall mount into slots in vertical posts. Shelf must be same width as the panel to which it is mounted. Off-module shelf shall mount into the integral track in the horizontal rail, allowing shelf to slide along track. The end panels shall be constructed of 14 gauge steel with a powder-coat finish. The shelf shall be an 18 gauge steel weldment with a powder-coat finish. The front edge of the shelf shall be a PVC extrusion that also provides space for a concealed flush mount task light.

Regular Shelf

The product shall be offered in widths of 24", 30", 36", 42", 48", 54", and 60". The overall dimensions of the end panels shall be 16½" high and 14½" deep. The shelf depth shall be 13¼". Each shelf shall include separate brackets which allow for either on- or off-module mounting. On-module shelf shall mount into slots in vertical posts. Shelf must be same width as the panel to which it is mounted. Off-module shelf shall mount into the integral track in the horizontal rail, allowing shelf to slide along track. The end panels shall be constructed of 14 gauge steel with a powder-coat finish. The shelf shall be an 18 gauge steel weldment with a powder-coat finish. The front edge of the shelf shall be a PVC extrusion that also provides space for a concealed flush mount task light.

Overhead Cabinet

The product shall be offered in widths of 24", 30", 36", 42", 48", 54", and 60". The overall dimensions of the end panels shall be 16½" high and 14½" deep. The shelf depth shall be 13¼". Each cabinet shall include separate brackets which allow for either on- or off-module mounting. On-module cabinet shall mount into slots in vertical posts. Cabinet must be same width as the panel to which it is mounted. Off-module cabinet shall mount into the integral track in the horizontal rail, allowing cabinet to slide along track. Door fronts shall be offered in steel, fabric, and laminate versions with a dual-durometer PVC extruded handle. The door front will operate on a rack and pinion gear system and will utilize a center lock mechanism. The door front will store recessed inside the cabinet with the handle exposed. The steel door front shall be of honeycomb core construction with a powder-coat finish. The construction of the fabric door front shall be identical to the steel door front except that the outer surface of the door front is covered with fabric. The laminate door front shall be high-pressure laminate covering a particleboard core.

Shelf Dividers

Shelf dividers shall be offered in the same color trim as the panels. The shelf dividers shall be powder-coated steel. Installation or removal shall be accomplished without the use of tools or fasteners.

Technical Specifications

PAPER MANAGEMENT ACCESSORIES

Wall Track

Wall track shall be available to allow for hanging of components onto an existing structural wall in the identical method as if the components were hung on PowerWorks panels available in 30", 66", or 84" lengths. The wall track shall consist of a double slotted 16 gauge steel with powder-coat finish in the panel trim colors.

Markerboards

Markerboards shall be available in 32" height and 30", 36", 42", 48", 54", and 60" widths. The markerboard shall be constructed of painted aluminum framed units with a white porcelain painted marker surface. The markerboard surface shall be magnetic with an eraser and markers. The markerboards will mount in the vertical post rail slots of a panel the same width as the board or to wall track.

Tackboards

Tackboards shall be available in 12", 16", 30", and 48" heights and in 24", 30", 36", 42", 48", 54", and 60" widths. The tackboard shall be constructed of $\frac{3}{4}$ " industrial insulationboard covered with fabric. The mounting brackets shall be steel powder coated and attached to the coreboard with T-nuts and machine screws. Fabric shall be attached to the coreboard with staples.

Tool Rail

The tool rail shall be fabricated from a powder-coated aluminum extrusion with injection-molded plastic end caps. The tool rail shall be attached to the panel through the use of steel brackets. The tool rail shall support all paper management accessories.

Plastic Paper Tray

The legal and letter sized paper trays shall be of injection-molded plastic construction. The paper tray shall be supported by the tool rail.

Plastic Diagonal Storage Unit

The diagonal storage unit shall be of injection-molded plastic construction. Three injection-molded and painted ABS dividers shall be able to be used in left or right positions. The diagonal storage unit shall be supported by the tool rail.

Telephone Caddy

The telephone caddy shall be available 8 $\frac{1}{2}$ " wide by 2" high by 9 $\frac{1}{2}$ " deep. Caddy shall be adjustable to accommodate a phone up to 10 $\frac{3}{4}$ " deep. Caddy shall include three hooks for suspending from tool rail.

Accessory Tray

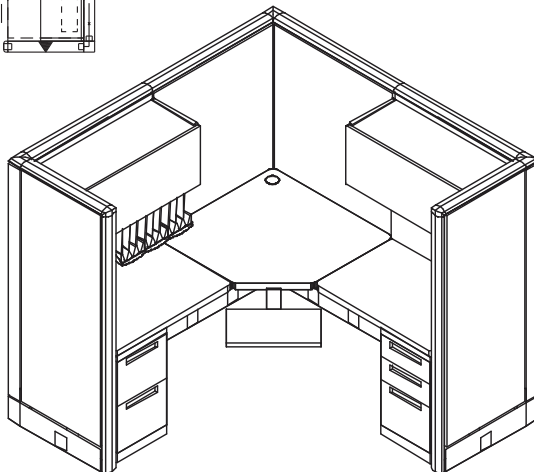
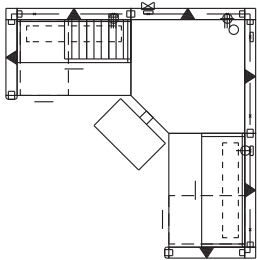
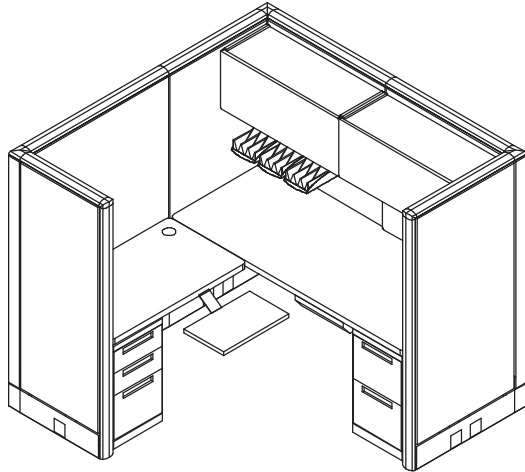
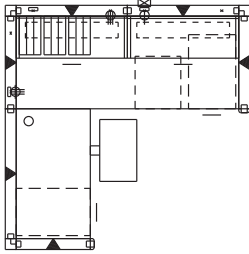
The accessory tray shall measure 9 $\frac{1}{2}$ " wide by 2" high by 10" deep and include three hooks for mounting to tool rail. Tray shall have compartments to hold pencils, paper clips and miscellaneous items. Tray shall be suspended from tool rail or used freestanding on worksurfaces and shelves.

Pencil Cup

The pencil cup shall be 4" wide by 4" high by 3 $\frac{1}{2}$ " deep. Cup shall provide for storage of pens, pencils, and highlighters. Two hooks shall be provided for mounting on tool rail.

Workstation Typicals

TYPICAL WORKSTATION CONFIGURATIONS



Typical Clerk Workstation

WorkSpace: 36 sq. ft.

Workstation Features:

- Fabric Acoustical panels 66"H
- Base Electrical
- Laminate surfaces with flat vinyl T-edge
- Fabric overhead units with tasklights
- File/file and box/box/file pedestals
- Paper management accessories and tackboard
- Fully adjustable keyboard arm

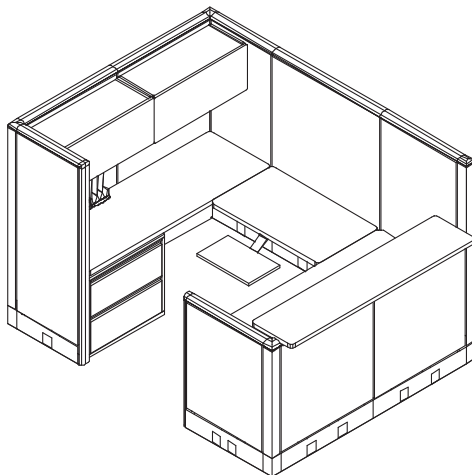
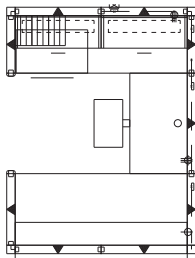
Typical Assistant Workstation (66" Height Panels)

WorkSpace: 36 sq. ft.

Workstation Features:

- Fabric Acoustical panels 66"H
- Base Electrical
- Laminate surfaces with flat vinyl T-edge
- Fabric overhead units with tasklights
- File/file and box/box/file pedestals
- Paper management accessories and tackboard
- Fully adjustable keyboard arm

Workstation Typicals

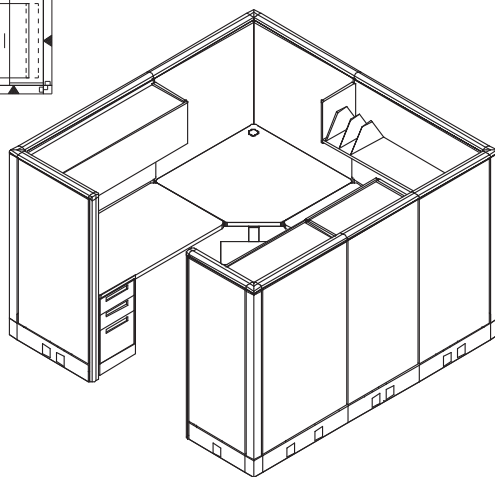
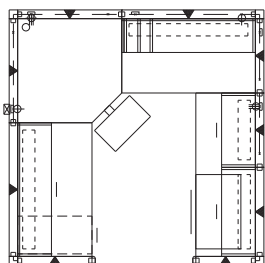


Typical Receptionist Station

WorkSpace: 48 sq. ft.

Workstation Features:

Fabric Acoustical panels 66"H
 Base Electrical
 ADA laminate countertop on 42" high panels
 Laminate surfaces with flat vinyl T-edge
 Fabric overhead units with tasklights
 Fully adjustable keyboard arm
 Two drawer lateral and box/box/file pedestal
 Paper management accessories



Typical Engineer Workstation

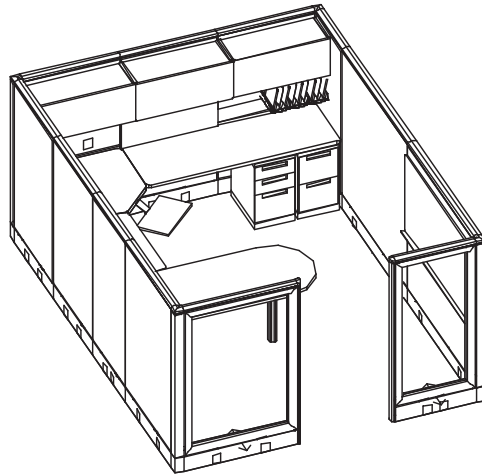
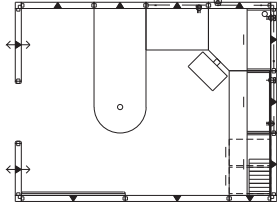
WorkSpace: 64 sq. ft.

Workstation Features:

Fabric Acoustical panels 66"H
 Base Electrical
 Laminate surfaces with flat vinyl T-edge
 Fabric overhead units with tasklights
 Open shelf with tasklight
 Box/box/file pedestal
 Lateral file
 Tackboard and shelf dividers
 Fully adjustable keyboard arm

Workstation Typicals

TYPICAL WORKSTATION CONFIGURATIONS

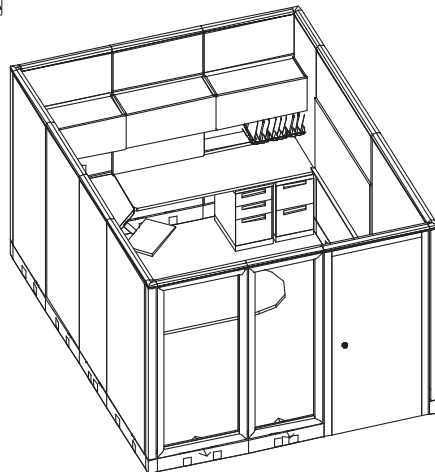
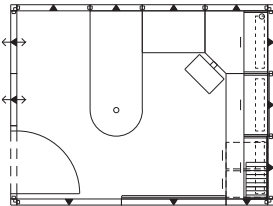


Typical Manager Workstation (66" Height Panels)

WorkSpace: 108 sq. ft.

Workstation Features:

Fabric Acoustical panels 66"H
Base and Worksurface Electrical
Laminate surfaces with flat vinyl T-edge
Fabric overhead units with tasklights
File/file and box/box/file pedestals
Paper management accessories and tackboard
Markerboard Fully adjustable keyboard arm



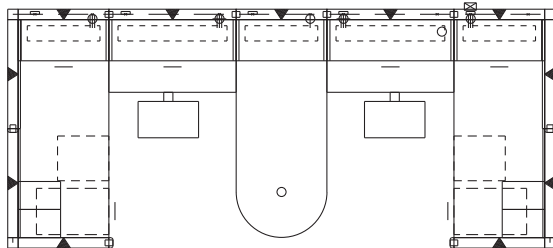
Typical Manager Workstation (84" Height Panels)

WorkSpace: 108 sq. ft.

Workstation Features:

Fabric Acoustical panels 84"H
Laminate door 80"H
Base and Worksurface Electrical
Laminate surfaces with flat vinyl T-edge
Fabric overhead units with tasklights
File/file and box/box/file pedestals
Paper management accessories and tackboard
Markerboard
Fully adjustable keyboard arm

Workstation Typicals



Typical Shared Workstation

WorkSpace: 87 sq. ft.

Workstation Features:

Fabric Acoustical panels 30"H, 42"H, 54"H, and 66"H

Base Electrical

Laminate surfaces with flat vinyl T-edge

Fabric overhead units with tasklights

