

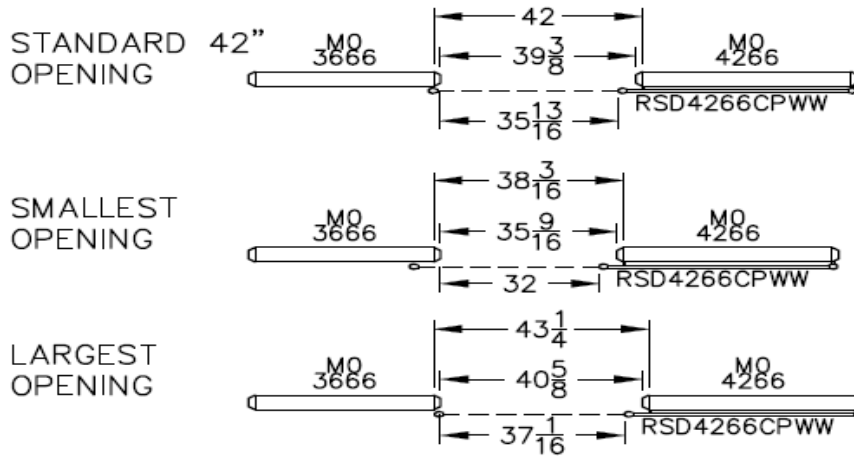
PowerWorks Rolling Screen Door Guidelines

The Rolling Screen Door was developed to provide non-locking, visual security in a cubicle environment. The initial size available is designed to replace a 42" panel although it can be used for a 38-43" opening. The door is listed as a 4266 but actually measures 48" wide by 66" high. Construction contains an aluminum frame with a semi-opaque, fluted plastic core. The 2-1/2" wheels, mounted inboard to provide a clean look, are made of a hard, clear acrylic which allows for ease of travel. The door is guided by a top and bottom channel bracket and has adjustable stops for opening and closing distances. The door runs 2" away and parallel to the panels with a sleek handle design on the inside and outside. The door frame and channel brackets are painted to match your trim color.

The channel brackets are attached to the panel and allow for either right or left door applications. This allows for the ordering of one model number which is capable of being right or left handed. The door may be mounted to any existing 66" through 84" high panel with the adjacent panel(s) being at least 42" wide. The door is defined as being right or left, by the side to which it is attached when viewing from outside the cubicle. A right-handed door is shown below.



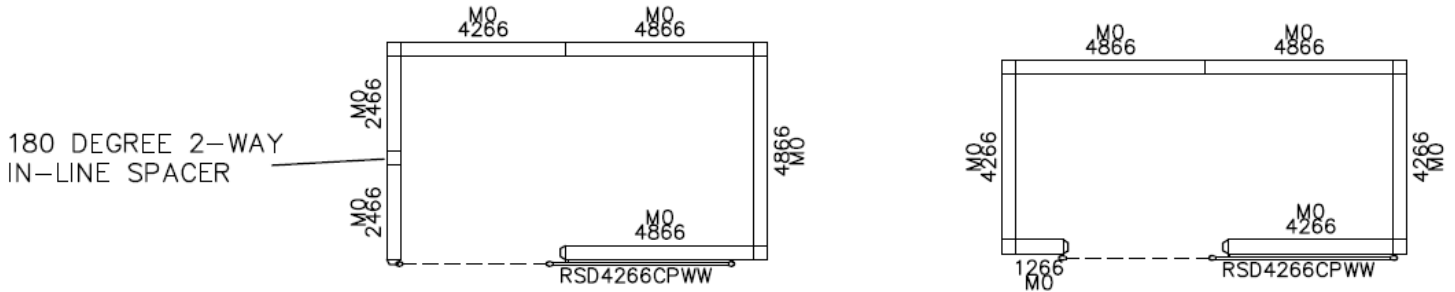
PowerWorks Rolling Screen Door Guidelines



Above are the measurements of the panel opening from end of run trim to end of run trim. It also shows the size of the access into the work area with the door in the fully open position. Keep in mind the smallest access maintains 32" for ADA requirements while the largest opening will still block sight into the workstation at the edge of the door to retain visual privacy.

Below are typical installations for the rolling screen door. The left layout is a situation where an In-Line Spacer is required to bring the closing wall out. An In-Line Spacer must be located at least one panel deep because of trim considerations. Caution must be used to be sure the spacer is not planned where it will interfere with the placement of hang-on components. **Enhanced horizontals are required on this unsupported panel run. However, it is recommended to design the workspace (right cubicle) using return panels for panel support instead of using an In-Line Spacer. Enhanced horizontals are still required on this run without having a 24" return panel.**

Typical planning guidelines can be used for planning the workstation, but the addition of the Rolling

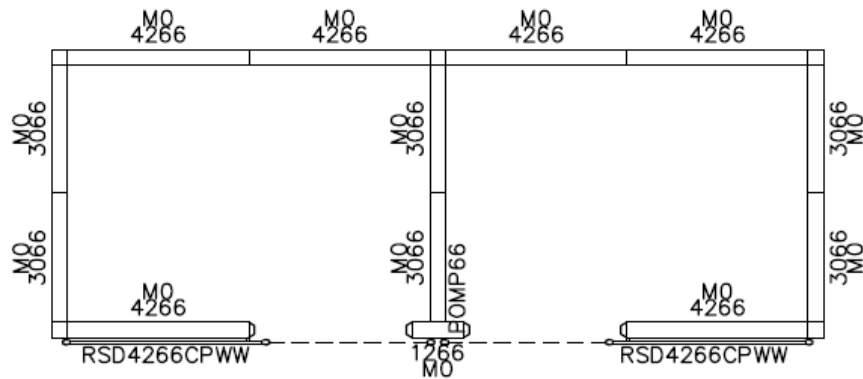
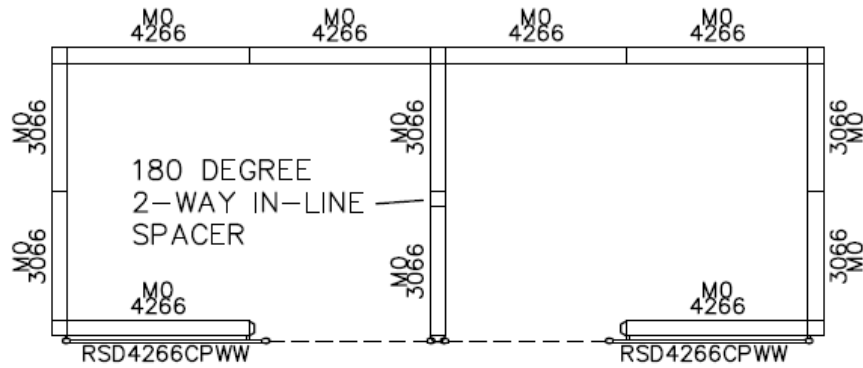


Screen Door may have some effect on the stability of the panel run where the door is installed. Customers will need to be made aware of this. Stackable panels can be used. Segmented panels can be used, but due to mounting location of the top panel bracket refer to the chart below for which segmented top panels will not interfere with the mounting of the door.

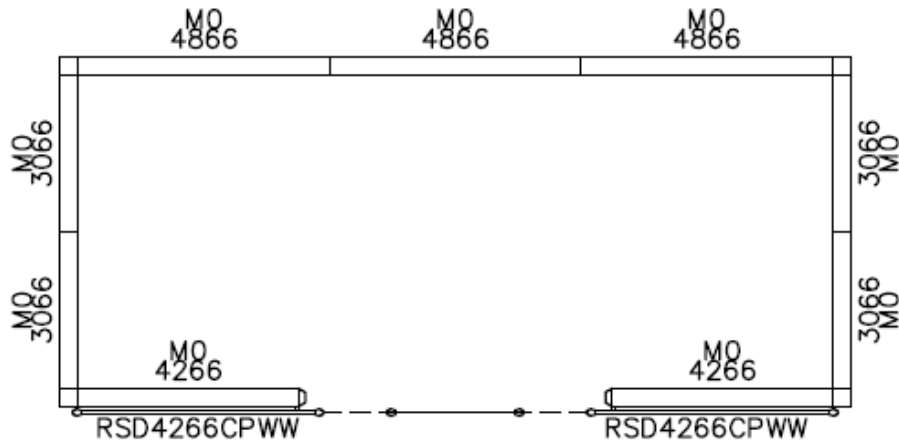
PANEL HEIGHT	TOP SEGMENTED PANEL (HEIGHT)			
84	12	18	24-NO	30
78	12	18-NO	24	30
72	12-NO	18	24	30

PowerWorks Rolling Screen Door Guidelines

The situation below depicts a shared opening into adjacent cubicles. An In-Line Spacer is required in this situation to extend the middle wall out. This will limit viewing into the adjacent cubicle at edge of door. **Enhanced horizontals are required on this unsupported panel run. However, it is recommended to use an off-module 12" return panel which causes the opening to be reduced by 5" per side. Enhanced horizontals are still required on this run without having a 24" return panel.**



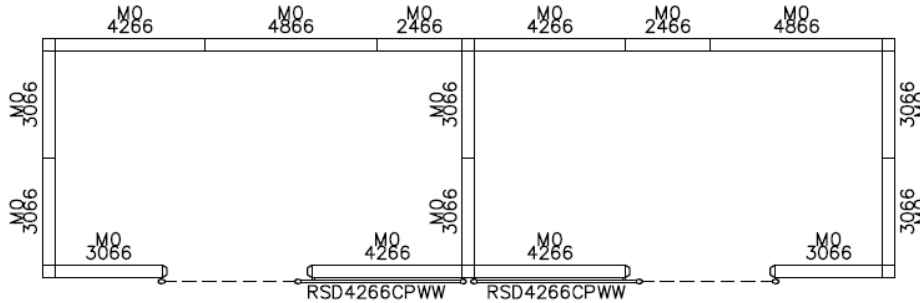
The next situation is using 2 doors for a wide opening into a conference area. The door stops can be adjusted during installation to avoid excessive door travel. The edge of the mating rolling doors can be ordered special with a magnetic strip if desired.



PowerWorks Rolling Screen Door Guidelines

The panel the door is mounted on should remain perpendicular to the floor, so it is not recommended to place an add-on component such as shelving or an overhead on the backside of this panel. The addition of a worksurface and worksurface support panel will not affect the function of the door. Tech panels cannot be used on the mounting panel for the Rolling Screen Door.

Examples of some typical installations of rolling screen doors are depicted below.



Rolling Screen Door Model # Structure

RSD4266FHC/CP/WW/xx

Basic Model

RSD – Rolling Screen Door

4266 – Width/Height

FHC – Full Height Core

CP – Clear Plastic

WW – PowerWorks/PowerWorks/Crescendo

xx – Trim Color

Location of Rolling Screen Doors in Encompass CAD

