
FLEXSTATION

FURNITURE

Price List Quarter 2

(April - July 2024)

Revised - April 12, 2024



General Information	3	Overhead Storage	28
Specifications.....	3	Components Information	28
Finish Options.....	4	Universal.....	30
Paint Swatches.....	5	Venus®	34
Molded Edge Colors	6		
Laminate Swatches.....	7	Privacy Screens	39
Worksurfaces	9	Accessories	43
Feature Information	9	General Information	43
Basic	10		
Mobile	19	FlexStation® with Power	46
Peninsula	21	General Information	46
Transitional	22	Electrical	49
Accessories	27		
		FlexStation® with Shared Leg	51

Streamline Worksurface Frames

Heavy-gage seam-welded powder-coat finished tubular steel. Horizontal tabletop support tube, 16-ga., 1" x 1" steel. Floor support member, 16-ga., 1-1/8" x 1-3/4" belly rectangular steel tube. Top floor support tubes are welded with 2 steel tube vertical leg members. The rear vertical support is 16-ga., 1" x 2" steel tube. The front vertical support is 16-ga., 1" x 2-1/8" bullet oval steel tube. Leg interior provides concealed management of wire from floor to worksurface. Adjustable chrome-plated glides. Powder-coat finish on legs. Casters offered as an option. There are three frame style options. The receptacle clearance beam option (WB) is a 16-ga., 1/2" x 1-1/2" steel tube cross brace, welded to two 14-ga., L-brackets for support. The modesty panel (WM) is 19-ga. steel. It is located 1-1/2" from the rear of the worksurface. The modesty panel is 15.31" on the 29" tables. The full height modesty panel (WF) is 19-g steel. It is located 1-1/2" from the rear of the worksurface. The full modesty panel spans the space between the underside of the worksurface and the floor. It is only available on 29" height desks.

Worksurface Top

1-1/4" thick top, .030" high-pressure plastic laminate top surface with .028" phenolic backing sheet. Available with flat-vinyl T-edge, 74P edge or 180° post-formed and elliptical post-formed front edge with .042" high pressure laminate and .045 phenolic backing sheet. Side and rear edges of post-formed tops are finished with either .024" PVC or .053" high-pressure laminate.

Surface Splice Plates

Die-formed steel splice plates attach to underside of units with screws. Two splice plates are provided with all surfaces. Standard connector plate provided when surfaces are of common height. Worksurface height change connector provided for connecting 29" to 27" surfaces on transitional height worksurfaces. Specify worksurface height change connector for connecting non-transitional worksurfaces of two different heights.

Adjustable Keyboard Pad Worksurface

Die-formed L-brackets attach to table and keyboard pad with screws. Threaded hand knobs lock keyboard pad in position. Available with flat vinyl T-edge and 74P edge.

Weight Capacity

All FlexStation® tables meet or exceed BIFMA 5.5 Standards.

Horizontal Wire Management Trough

Horizontal wire management trough (WW) is located behind the modesty panel and is constructed of rigid PVC with 1" deep by 1-1/2" high openings for cables.

Base Options

There are two options for the base, standard chrome-plated adjustable glides (NC) or four swivel casters (WC). The caster option comes with two casters with locks and it raises worksurface height 3".

Guest Modesty Panel

The Guest Modesty Panel for P shaped Piano, and Square Shoe, peninsula worksurface is constructed of 19-ga. steel. It is located 4.5" from the guest side of the peninsula worksurface and is attached using 6, #10-1" screws. It is 9" high and comes in lengths to fit 60" through 84" peninsula top.

Special Services

Shipping:

Add 5% of Net for shipping.

Installation:

Add 8% of Net for Installation.

Specifications and prices subject to change without prior notice.

**FlexStation®, and FlexStation®
with Power Worksurfaces/
Components/Overhead
Storage**

Paint Color

Black	BL
Blue Grey	GR
Champagne Metallic	CM
Cool Grey	CG
Espresso Metallic	EX
Light Tone	LG
Misty Brown	MY
Sand	SA
Starlight Silver	SX
Warm Grey	WG

Insert Color

Black	IBL
Blue Grey	IGR
Cool Grey	ICG
Light Tone	ILG
Misty Brown	IMY
Sand	ISA
Warm Grey	IWG

Edge Color for 74P Edge Style

Biltmore Cherry	EBT
Black	EBL
Blue Grey	EGR
Brighton Walnut	EBW
Castle Oak	ECO
Flannel	EFN
Kensington Maple	EKM
Light Tone	ELG
Monticello Maple	EMT
River Cherry	ERY
Sand	ESA
Sterling Ash	EAZ
Warm Grey	EWG
Wild Cherry	EWC
Windsor Mahogany	EWY

Edge Color for 54B Edge Style

Black	EBL
Blue Grey	EGR
Light Tone	ELG
Sand	ESA
Warm Grey	EWG

Grommet Color

Black	GBL
Blue Grey	GGR
Cool Grey	GCG
Light Tone	GLG
Misty Brown	GMY
Sand	GSA
Warm Grey	GWG

Laminate Upper Door Color

Biltmore Cherry	LBT
Black	LBK
Brighton Walnut	LBW
Canyon Zephyr	LCA
Castle Oak	LCO
Casual Linen	LCU
Cherry Storm	LCX
Classic Linen	LCI
Cloud Zephyr	LCL
Cocobala	LCC
Coffee Bean	LCB
Crisp Linen	LRI
Desert Zephyr	LDZ
Dove Grey	LDG
Fired Steel	LIL
Flax Linen	LXF
Florence Walnut	LFC
Forged Steel	LOL
Frosty White	LFW
Graphite Nebula	LGN
Grey	LGE
High Rise	LHE
Hollyberry	LHY
Irish Linen	LIH
Island	LID
Italian Silver Ash	LIT
Kensington Maple	LKM
Lapis Blue	LLB
Markerboard	LMK
Misted Zephyr	LMR

Monticello Maple	LMT
Nickel Evolv	LNV
North Sea	LNA
Ocean	LON
Orange Grove	LOE
Pearl Bisque	LPB
Pearl Silver	LPS
Pressed Linen	LPR
River Cherry	LRV
Rugged Linen	LGR
Satin Stainless	LSS
Shadow Zephyr	LSR
Silicon Evolv	LSV
Sprout	LZP
Sterling Ash	LAZ
Tailored Linen	LTL
Titanium Evolv	LTV
White Nebula	LWL
White Sand	LWN
Windsor Mahogany	LWY

Universal Overhead Paint Color

Black	BL
Blue Grey	GR
Champagne Metallic	CM
Cool Grey	CG
Espresso Metallic	EX
Light Tone	LG
Misty Brown	MY
Sand	SA
Starlight Silver	SX
Warm Grey	WG

Venus® Laminate Door Edge Color

Black	EBL
Blue Grey	EGR
Cool Grey	ECG
Light Tone	ELG
Blue Grey	EGR
Misty Brown	EMY
Warm Grey	EWG

Venus® Overhead Cabinet Paint Color

Black	BL
Blue Grey	GR
Bronze Metallic	ZM

Cayenne	CY
Champagne Metallic	CM
Cool Grey	CG
Cottonwood	CO
Everglade Shade	EV
Espresso Metallic	EX
Earthen Clay	EY
Flannel	FN
Hazy Jade	HJ
Light Tone	LG
Mardi Gras	MG
Misty Brown	MY
Nemo	NE
Nordic	ND
Purple Haze	PH
Rubber Ducky	RK
Sand	SA
Starlight Silver	SX
Surf's Up	SP
Twilight Shadow	TI
Ultra Blue	UB
Warm Grey	WG
Zesty Lime	ZL

Venus® Upper Door Solid Color

Black	UBL
Blue Grey	UGR
Cool Grey	UCG
Light Tone	ULG
Misty Brown	UMY
Sand	USA
Translucent	UTR
Warm Grey	UWG

Accessory Color

Black	MBL
Blue Grey	MGR
Cool Grey	MCG
Light Tone	MLG
Misty Brown	MMY
Sand	MSA
Warm Grey	MWG

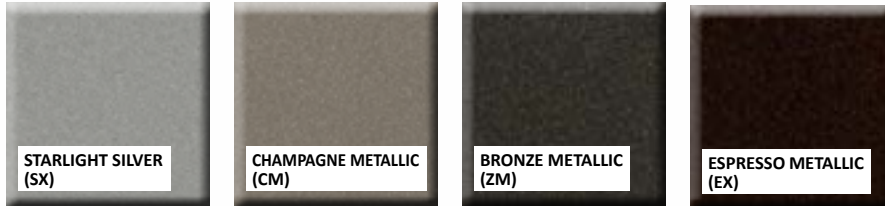
Data door and table-to-table wireway connector are always black.

Actual Samples and Replacement Cards

Contact your Sales or Customer Service Representative.

- Not all colors are available on all products.
- There will be slight variations in color, texture and finish.
- Swatches are provided as a preliminary color reference and should not be used for a final color selection.
- Please refer to the Color Addendum for product line details and options.

METALLIC POWDERCOAT & CHROME PLATED



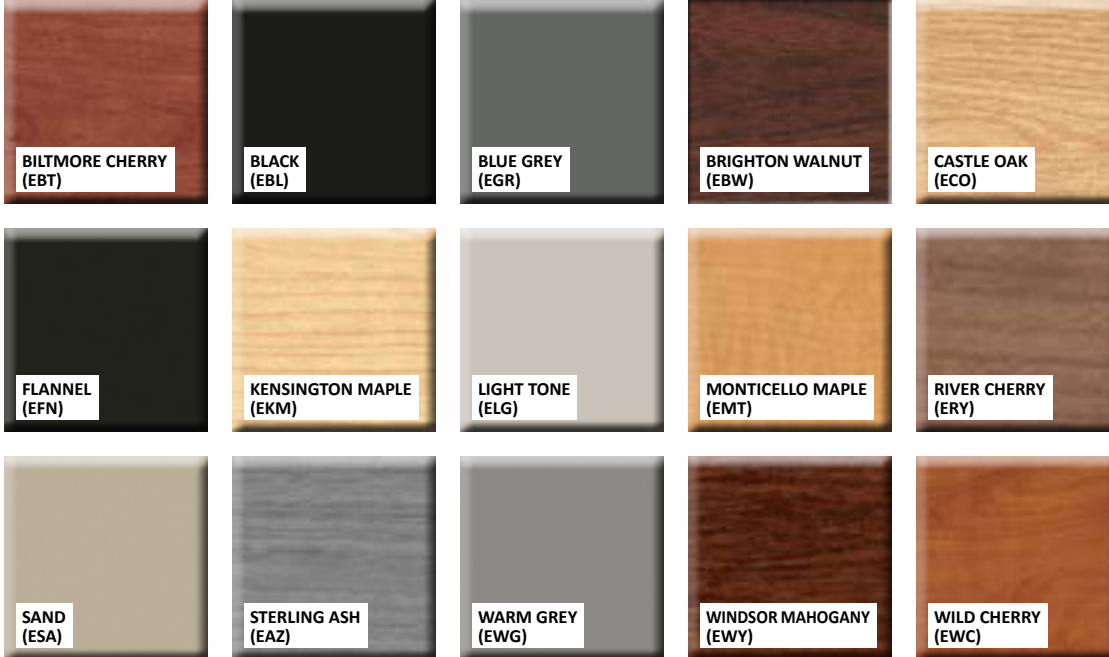
POWDERCOAT & MOLDED PLASTIC





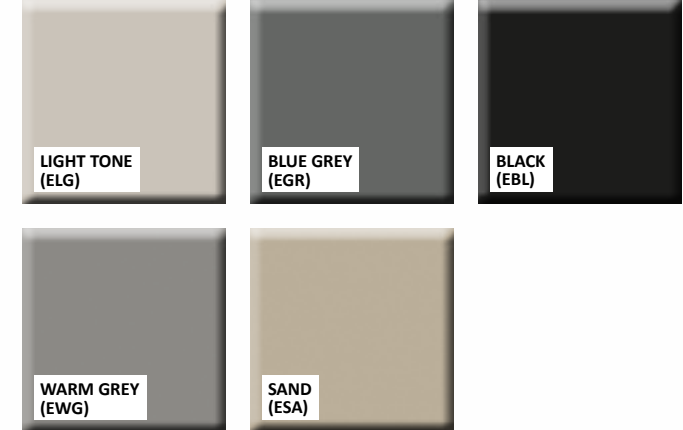
74P
1 - 1/4" STRAIGHT

MOLDED EDGE COLOR OPTIONS (74P EDGE)



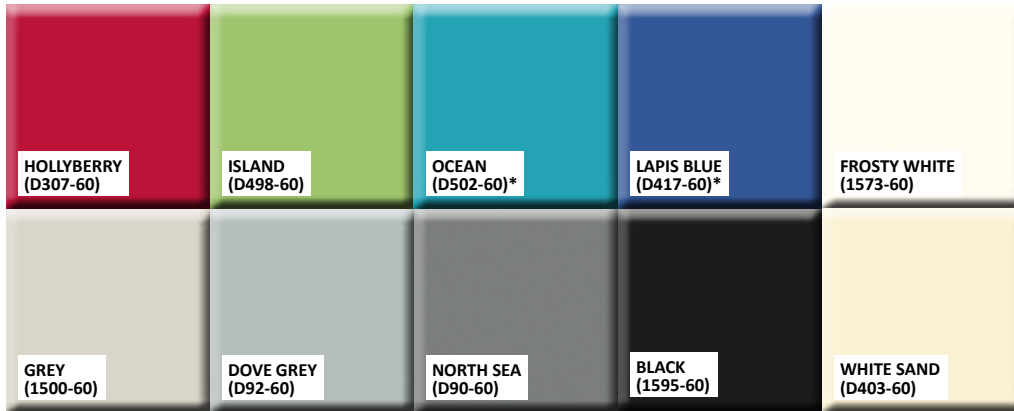
54B
1 - 1/4" BULLNOSE

MOLDED EDGE COLOR OPTIONS (54B EDGE)

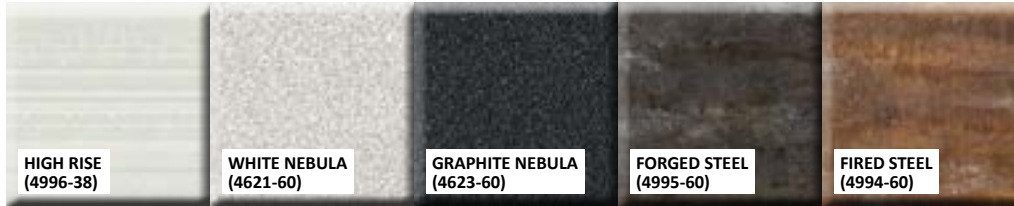


STANDARD LAMINATES

SOLIDS



MISCELLANEOUS



WOODGRAIN LAMINATES



* Consider factory lead time when ordering

LINEN



ZEPHYR



EVOLV

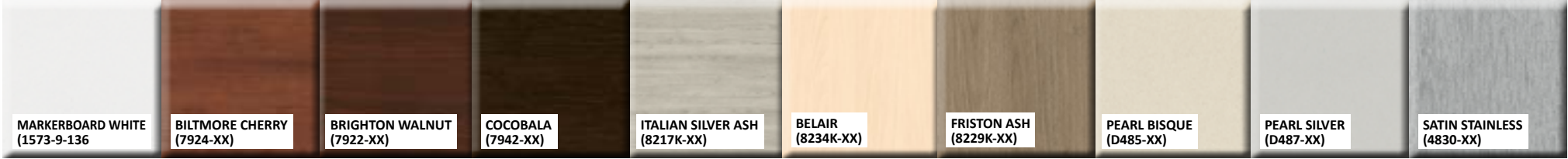


PREMIUM LAMINATES (UPCHARGE APPLIES TO ALL SURFACE TEXTURES)

SOLIDS

WOODGRAIN LAMINATES

METALLICS

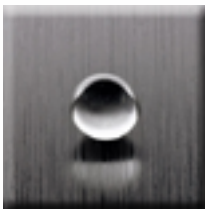


Select Laminate Surface Textures (excluding for MARKERBOARD WHITE)

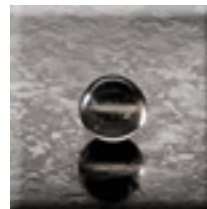
LAMINATE SURFACE TEXTURES



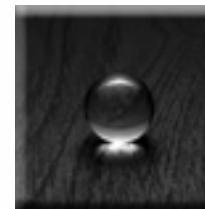
#01 HIGH GLOSS - PREMIUM
A mirror sheen finish, which gives a smooth, brilliant appearance. Recommended for horizontal applications such as countertops and light-to medium commercial applications. Excellent for vertical application.



#18 LINEARITY - PREMIUM
A directional texture running the length of the sheet, having a narrow, random, matte-gloss linear quality. It is complementary to linear woodgrains, and linear patterns and provides dimension and visual movement to solid colors. Recommended for horizontal and vertical application.



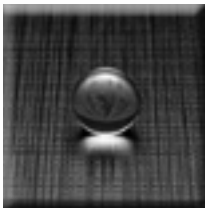
#35 MIRAGE - HD PREMIUM
Subtle variations in matte and gloss finish connect to nature's own finishes: rough and weathered, smooth and polished. Recommended for horizontal and vertical application.



#57 ALIGNED OAK* - HD PREMIUM
NEW Authentic realism is brought to the surface using synchronized texture as each elegantly aged oak design exhibits the natural dimension and feel of real wood. Recommended for horizontal and vertical application.



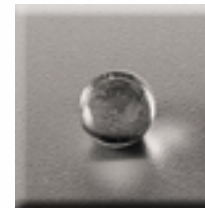
#07 TEXTURED GLOSS - PREMIUM
A textured finish which reproduces the high sheen of waxed wood furniture. Recommended for horizontal and vertical application.



#19 LENO WEAVE* - PREMIUM
NEW Random intersecting horizontal and vertical lines create a geometric weave with a matte-gloss mix. Recommended for horizontal and vertical application.



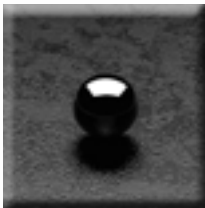
#38 FINE VELVET TEXTURE - STANDARD
A smooth textured finish with moderate reflective value. Recommended for horizontal and vertical application.



#60 MATTE - STANDARD
Textured finish with a moderate reflective quality. Recommended for horizontal and vertical application.



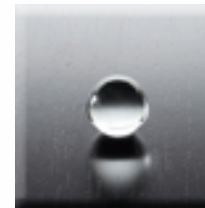
#12 SOFTGRAIN - PREMIUM
A dense, woodgrain structure that is low gloss and soft to the touch. Subtle highlights of reflectivity randomly occur within the embossed grains, creating a sophisticated raw wood look. Recommended for horizontal and vertical application.



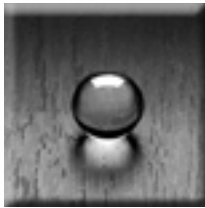
#22 ANTIQUE - PREMIUM
A mixture of varying low gloss features combined with organic movement, indicative of the surface of an aged stone or an antique metal. Recommended for horizontal and vertical application.



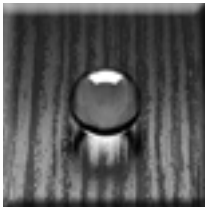
#52 QUARRY - PREMIUM
Premium finish emulating the "pitted" look of polished natural stone. Recommended for horizontal and vertical application.



#78 FINEGRAIN - PREMIUM
This premium finish features the polish and luster of a real wood veneer, with a subtle, narrow grain structure that runs the length of the sheet. Recommended for horizontal and vertical application.



#16 CASUAL RUSTIC - PREMIUM
A woodgrain texture with a blend of grain variations ranging from linear to subtle movement with random, irregular features. The overall low gloss surface is accented with higher sheen woodgrain ticking and random highlights. Recommended for horizontal and vertical application.



#28 GLOSS LINE - PREMIUM
A linear woodgrain texture with varied widths of narrow grain structures in an alternating mix of matte and gloss surface areas. Recommended for horizontal and vertical application.

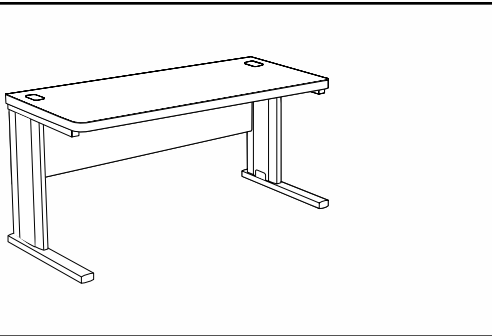
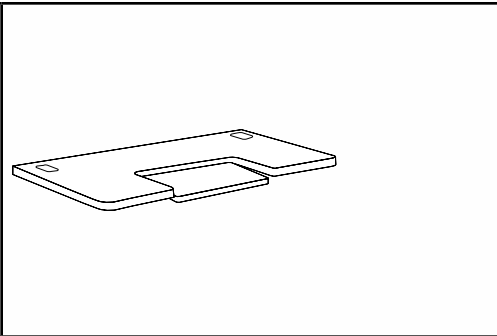
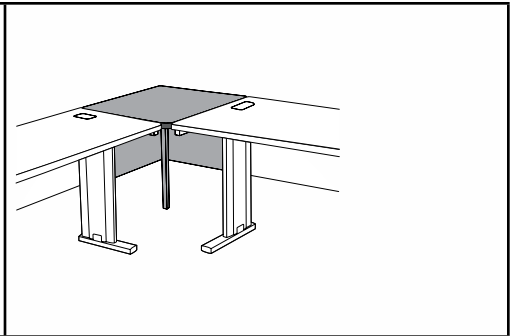


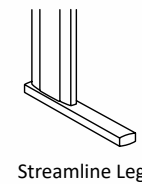
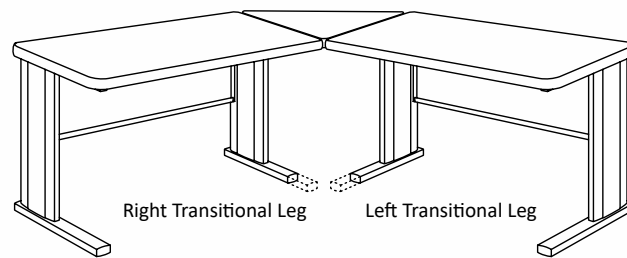
#55 GLAZE - HD PREMIUM
A layering of matte features over a glaze of semi-gloss, creates this timeworn effect. Recommended for horizontal and vertical application.

* Not available in Textured Solids

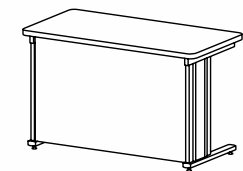
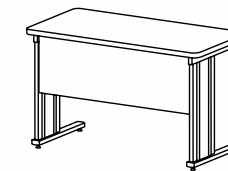
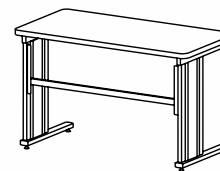
Finish features AEON™ Enhanced Performance Technology, providing 3x industry standard wear resistance, improved scratch, scuff and mar performance, versus comparable competitive finishes.

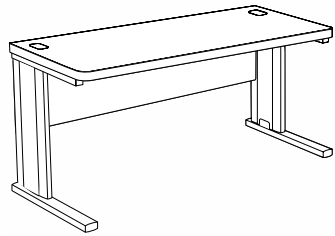
ANTIMICROBIAL PROTECTION is built into the laminate to protect the surface against damaging microbes. Antimicrobial agents protect the surface from the growth of mold and mildew that cause odors when used for countertops and work surfaces.

			
Features	Basic Worksurface (WBW)	Adj. Keyboard Pad Worksurfaces (WAK)	Transitional Worksurfaces (WCT)
Solid core top	•	•	•
Plastic Laminate Surface	•	•	•
Flat vinyl T-edge	•	•	•
Post-formed edge	•	•	•
74P edge	•	•	•
Elliptical post-formed edge	•	•	•
Powder coated legs	•	•	•
Seam-welded tubular steel frame	•	•	•
Chrome plated guides	•	•	•



Transitional Leg
Transitional leg bases are 6 inches shorter than standard leg bases for greater leg room and chair clearance when two surfaces are joined. When sealed at the worksurfaces, "right" or "left" refers to the individual worksurface, not the assembled workstation. Cannot be ordered for an individual free-standing worksurface.





Basic Worksurface

- Adjustable glides
- 66" and 72" wide overhead not available on FlexStation frames with beams

D x W	Basic Model	Edge Style	Height	Wireway	Frame Style	Trans. Legs	Worksurface Grommet	Paint Color	Insert Color	Base	Laminate Color	Edge Color	Grommet Color	Net Price
24" x 30"	WBW2430	□□□	□	□□	□□	□□	□□□	□□	□□□	□□	□□□	□□□	□□□	\$294
24" x 36"	WBW2436	□□□	□	□□	□□	□□	□□□	□□	□□□	□□	□□□	□□□	□□□	\$304
24" x 42"	WBW2442	□□□	□	□□	□□	□□	□□□	□□	□□□	□□	□□□	□□□	□□□	\$314
24" x 48"	WBW2448	□□□	□	□□	□□	□□	□□□	□□	□□□	□□	□□□	□□□	□□□	\$324
24" x 54"	WBW2454	□□□	□	□□	□□	□□	□□□	□□	□□□	□□	□□□	□□□	□□□	\$334
24" x 60"	WBW2460	□□□	□	□□	□□	□□	□□□	□□	□□□	□□	□□□	□□□	□□□	\$345
24" x 66"	WBW2466	□□□	□	□□	□□	□□	□□□	□□	□□□	□□	□□□	□□□	□□□	\$357
24" x 72"	WBW2472	□□□	□	□□	□□	□□	□□□	□□	□□□	□□	□□□	□□□	□□□	\$366
30" x 30"	WBW3030	□□□	□	□□	□□	□□	□□□	□□	□□□	□□	□□□	□□□	□□□	\$308
30" x 36"	WBW3036	□□□	□	□□	□□	□□	□□□	□□	□□□	□□	□□□	□□□	□□□	\$319
30" x 42"	WBW3042	□□□	□	□□	□□	□□	□□□	□□	□□□	□□	□□□	□□□	□□□	\$329
30" x 48"	WBW3048	□□□	□	□□	□□	□□	□□□	□□	□□□	□□	□□□	□□□	□□□	\$339
30" x 54"	WBW3054	□□□	□	□□	□□	□□	□□□	□□	□□□	□□	□□□	□□□	□□□	\$357
30" x 60"	WBW3060	□□□	□	□□	□□	□□	□□□	□□	□□□	□□	□□□	□□□	□□□	\$376
30" x 66"	WBW3066	□□□	□	□□	□□	□□	□□□	□□	□□□	□□	□□□	□□□	□□□	\$382
30" x 72"	WBW3072	□□□	□	□□	□□	□□	□□□	□□	□□□	□□	□□□	□□□	□□□	\$384

- ① ② ③ ④ ⑤ ⑥ ⑦ ⑧ ⑨ ⑩ ⑪ ⑫ ⑬

HOW TO ORDER

Indicate the following information on the order form:

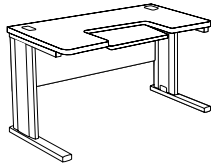
1. Quantity of each item.
2. Model Number, including options.
(See "How to Build a Model Number.")
3. Any special service required.

Note:
The □ indicates that a choice is required.

The absence of □ indicates that no choice is required
Alpha-Numeric characters in place of □ indicates that no other alternatives are available.

HOW TO BUILD A MODEL NUMBER

- 1 Select Basic Model**
- 2 Select Edge Style**
BN - Flat vinyl T-edge
74P - 74P edge
- 3 Select Height**
7 - 27" high
9 - 29" high
- 4 Select Horizontal Wireway**
NW - No horizontal wireway
WW - Wireway Add \$25
- 5 Select Frame Style**
WB - w/Beam
WM - w/Modesty panel
WF - w/Full modesty panel
(available on 29" high only) Add \$40 Upcharge
- 6 Select Location and Type of Leg**
TS - Standard legs
TL - Transition leg (left)
TR - Transition leg (right)
TB - Transition leg (both)
Note: If ordering basic work surface as a freestanding unit, or if only one side connects to a transitional work surface, the "TB" option for both transitional legs is not available.
- 7 Select Worksurface Grommet Option**
OGN - No work surface grommet
OGY - Yes work surface grommet
Grommets are required for overhead cabinet. Grommets can be used for wire pass-through.
- 8 Select Paint Color**
Refer to [Finish Options](#).
- 9 Select Insert Color**
Refer to [Finish Options](#). Insert color also includes horizontal wireway (WW) if selected.
- 10 Select Base Option**
NC - With glides
WC - With casters Add \$20
- 11 Select Laminate Surface**
Refer to [Finish Options](#).
- 12 Select Edge Color**
Refer to [Finish Options](#). Edge color offerings are based on edge style selections.
- 13 Select Grommet Color**
Refer to [Finish Options](#).



Adjustable Keyboard Pad

Worksurface

- Adjustable glides
- Adjustable keyboard pad right, centered (shown) or left 10 x 24"; 3" height adjustments: 1" forward extension adjustment: 15° maximum downward tilt
- When adding a pedestal, pad must be RH or LH and worksurface must be at least 60" long
- Keyboard is located 5-3/4" from edge of worksurface on left and right locations
- 66" and 72" wide overhead not available on FlexStation frames with beams

D x W	Basic Model	Edge Style	Key Pad Location	Height	Wireway	Frame Style	Trans. Legs	Worksurface Grommet	Paint Color	Insert Color	Base	Laminate Color	Edge Color	Grommet Color	Net Price
24" x 36"	WAK2436	□□□	C	□	□□	□□	□□	□□□	□□	□□□	□□	□□□	□□□	□□□	\$406
24" x 42"	WAK2442	□□□	C	□	□□	□□	□□	□□□	□□	□□□	□□	□□□	□□□	□□□	\$411
24" x 48"	WAK2448	□□□	□	□	□□	□□	□□	□□□	□□	□□□	□□	□□□	□□□	□□□	\$421
24" x 54"	WAK2454	□□□	□	□	□□	□□	□□	□□□	□□	□□□	□□	□□□	□□□	□□□	\$429
24" x 60"	WAK2460	□□□	□	□	□□	□□	□□	□□□	□□	□□□	□□	□□□	□□□	□□□	\$437
24" x 66"	WAK2466	□□□	□	□	□□	□□	□□	□□□	□□	□□□	□□	□□□	□□□	□□□	\$446
24" x 72"	WAK2472	□□□	□	□	□□	□□	□□	□□□	□□	□□□	□□	□□□	□□□	□□□	\$453
30" x 36"	WAK3036	□□□	C	□	□□	□□	□□	□□□	□□	□□□	□□	□□□	□□□	□□□	\$418
30" x 42"	WAK3042	□□□	C	□	□□	□□	□□	□□□	□□	□□□	□□	□□□	□□□	□□□	\$426
30" x 48"	WAK3048	□□□	□	□	□□	□□	□□	□□□	□□	□□□	□□	□□□	□□□	□□□	\$434
30" x 54"	WAK3054	□□□	□	□	□□	□□	□□	□□□	□□	□□□	□□	□□□	□□□	□□□	\$443
30" x 60"	WAK3060	□□□	□	□	□□	□□	□□	□□□	□□	□□□	□□	□□□	□□□	□□□	\$451
30" x 66"	WAK3066	□□□	□	□	□□	□□	□□	□□□	□□	□□□	□□	□□□	□□□	□□□	\$459
30" x 72"	WAK3072	□□□	□	□	□□	□□	□□	□□□	□□	□□□	□□	□□□	□□□	□□□	\$468

- ① ② ③ ④ ⑤ ⑥ ⑦ ⑧ ⑨ ⑩ ⑪ ⑫ ⑬ ⑭

HOW TO ORDER

Indicate the following information on the order form:

- Quantity of each item.
- Model Number, including options.
(See "How to Build a Model Number.")
- Any special service required.

Note:
The □ indicates that a choice is required.

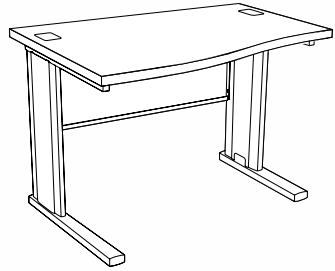
The absence of □ indicates that no choice is required
Alpha-Numeric characters in place of □ indicates that no other alternatives are available.

HOW TO BUILD A MODEL NUMBER

- Select Basic Model**
- Select Edge Style**
BN - Flat vinyl T-edge
74P - 74P edge
- Select Height**
7 - 27" high
9 - 29" high
- Select Horizontal Wireway**
NW - No horizontal wireway
WW - Wireway Add \$25
- Select Frame Style**
WB - w/Beam
WM - w/Modesty panel
WF - w/Full modesty panel
(available on 29" high only) Add \$40 Upcharge

- Select Location and Type of Leg**
TS - Standard legs
TL - Transition leg (left)
TR - Transition leg (right)
TB - Transition leg (both)
Note: If ordering basic worksurface as a freestanding unit, or if only one side connects to a transitional worksurface, the "TB" option for both transitional legs is not available.
- Select Worksurface Grommet Option**
OGN - No worksurface grommet
OGY - Yes worksurface grommet
Grommets are required for overhead cabinet. Grommets can be used for wire pass-through.
- Select Paint Color**
Refer to [Finish Options](#)

- Select Paint Color**
Refer to [Finish Options](#).
- Select Insert Color**
Refer to [Finish Options](#). Insert color also includes horizontal wireway (WW) if selected.
- Select Base Option**
NC - With glides
WC - With casters Add \$20
- Select Laminate Surface**
Refer to [Finish Options](#).
- Select Edge Color**
Refer to [Finish Options](#). Edge color offerings are based on edge style selections.
- Select Grommet Color**
Refer to [Finish Options](#)



Curvilinear Worksurface

- Adjustable glides
- Joins 24" deep work surface to 30" deep work surface
- Available in 27" and 29" height only

D x W x D	Basic Model	Edge Style	Height	Wireway	Frame Style	Trans. Legs	Worksurface Grommet	Paint Color	Insert Color	Base	Laminate Color	Edge Color	Grommet Color	Net Price
24" x 42" x 30"	WRC244230	□□□	□	□□	□□	□□	□□□	□□	□□□	□□	□□□	□□□	□□□	\$377
24" x 48" x 30"	WRC244830	□□□	□	□□	□□	□□	□□□	□□	□□□	□□	□□□	□□□	□□□	\$392
24" x 54" x 30"	WRC245430	□□□	□	□□	□□	□□	□□□	□□	□□□	□□	□□□	□□□	□□□	\$409
24" x 60" x 30"	WRC246030	□□□	□	□□	□□	□□	□□□	□□	□□□	□□	□□□	□□□	□□□	\$418
24" x 66" x 30"	WRC246630	□□□	□	□□	□□	□□	□□□	□□	□□□	□□	□□□	□□□	□□□	\$433
24" x 72" x 30"	WRC247230	□□□	□	□□	□□	□□	□□□	□□	□□□	□□	□□□	□□□	□□□	\$445
30" x 42" x 24"	WRC304224	□□□	□	□□	□□	□□	□□□	□□	□□□	□□	□□□	□□□	□□□	\$377
30" x 48" x 24"	WRC304824	□□□	□	□□	□□	□□	□□□	□□	□□□	□□	□□□	□□□	□□□	\$392
30" x 54" x 24"	WRC305424	□□□	□	□□	□□	□□	□□□	□□	□□□	□□	□□□	□□□	□□□	\$409
30" x 60" x 24"	WRC306024	□□□	□	□□	□□	□□	□□□	□□	□□□	□□	□□□	□□□	□□□	\$418
30" x 66" x 24"	WRC306624	□□□	□	□□	□□	□□	□□□	□□	□□□	□□	□□□	□□□	□□□	\$433
30" x 72" x 24"	WRC307224	□□□	□	□□	□□	□□	□□□	□□	□□□	□□	□□□	□□□	□□□	\$445

- 1 2 3 4 5 6 7 8 9 10 11 12 13

HOW TO ORDER

Indicate the following information on the order form:

1. Quantity of each item.
2. Model Number, including options.
(See "How to Build a Model Number.")
3. Any special service required.

Note:

The □ indicates that a choice is required.

The absence of □ indicates that no choice is required
Alpha-Numeric characters in place of □ indicates that no other alternatives are available.

HOW TO BUILD A MODEL NUMBER

1 Select Basic Model

2 Select Edge Style

BN - Flat vinyl T-edge
74P - 74P edge

3 Select Height

7 - 27" high
9 - 29" high

4 Select Horizontal Wireway

NW - No horizontal wireway
WW - Wireway Add \$25

5 Select Frame Style

WB - w/Beam
WM - w/Modesty panel
WF - w/Full modesty panel
(available on 29" high only) Add \$40 Upcharge

6 Select Location and Type of Leg

TS - Standard legs
TL - Transition leg (left)
TR - Transition leg (right)
TB - Transition leg (both)

Note: If ordering basic work surface as a freestanding unit, or if only one side connects to a transitional work surface, the "TB" option for both transitional legs is not available.

7 Select Worksurface Grommet Option

OGN - No work surface grommet
OGY - Yes work surface grommet
Grommets are required for overhead cabinet. Grommets can be used for wire pass-through.

8 Select Paint Color

Refer to [Finish Options](#)

9 Select Insert Color

Refer to [Finish Options](#). Insert color also includes horizontal wireway (WW) if selected.

10 Select Base Option

NC - With glides
WC - With casters Add \$20

11 Select Laminate Surface

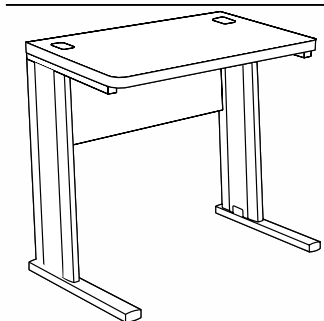
Refer to [Finish Options](#).

12 Select Edge Color

Refer to [Finish Options](#). Edge color offerings are based on edge style selections.

13 Select Grommet Color

Refer to [Finish Options](#).



Stand-up Worksurface

- Adjustable glides
- Available in 42" height only
- Overheads cannot be mounted on any stand-up worksurfaces

D x W	Basic Model	Edge Style	Height	Wireway	Frame Style	Trans. Legs	Worksurface Grommet	Paint Color	Insert Color	Base	Laminate Color	Edge Color	Grommet Color	Net Price
30" x 36"	WSU3036	□□□	2	□□	□□	TS	□□□	□□	□□□	□□	□□□	□□□	□□□	\$352

- ① ② ③ ④ ⑤ ⑥ ⑦ ⑧ ⑨ ⑩ ⑪ ⑫ ⑬

HOW TO ORDER

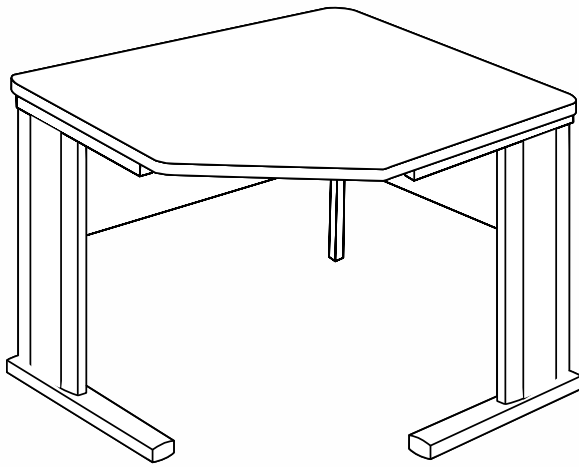
- Indicate the following information on the order form:
1. Quantity of each item.
 2. Model Number, including options. (See "How to Build a Model Number.")
 3. Any special service required.

Note:
The □ indicates that a choice is required.

The absence of □ indicates that no choice is required
Alpha-Numeric characters in place of □ indicates that no other alternatives are available.

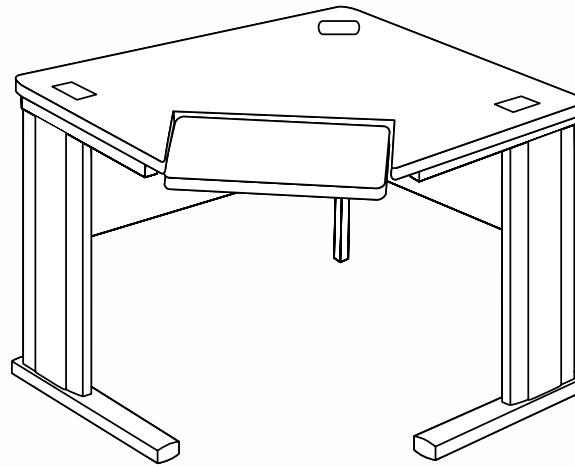
HOW TO BUILD A MODEL NUMBER

- ① Select Basic Model**
- ② Select Edge Style**
BN - Flat vinyl T-edge
74P - 74P edge
- ③ Select Height**
2 - 42" high
- ④ Select Horizontal Wireway**
NW - No horizontal wireway
WW - Wireway Add \$25
- ⑤ Select Frame Style**
WB - w/Beam
WM - w/Modesty panel
- ⑥ Select Location and Type of Leg**
TS - Standard legs
- ⑦ Select Worksurface Grommet Option**
OGN - No worksurface grommet
OGY - Yes worksurface grommet
Grommets are required for overhead cabinet. Grommets can be used for wire pass-through.
- ⑧ Select Paint Color**
Refer to [Finish Options](#).
- ⑨ Select Insert Color**
Refer to [Finish Options](#). Insert color also includes horizontal wireway (WW) if selected.
- ⑩ Select Base Option**
NC - With glides (standard)
- ⑪ Select Laminate Surface**
Refer to [Finish Options](#).
- ⑫ Select Edge Color**
Refer to [Finish Options](#). Edge color offerings are based on edge style selections.
- ⑬ Select Grommet Color**
Refer to [Finish Options](#).



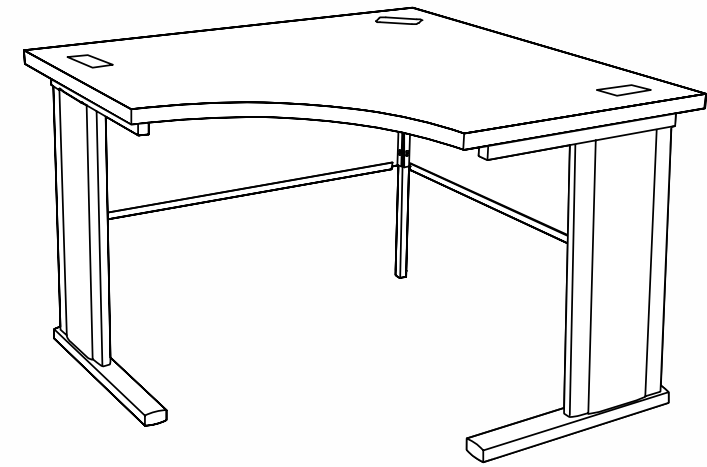
Stand Alone Corner Workspace

- Adjustable glides
- Corner support leg is 7/8" sq. tubular steel
- Front edge dimension is 17" on 24" x 36" and 30" x 42"; 25-1/2" on 24" x 42" and 30" x 48"; 34" on 24" x 48"
- Not available with both (TB) transitional legs



Stand Alone Corner Workspace with Keyboard

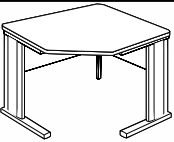
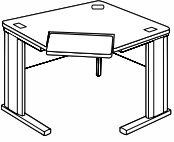
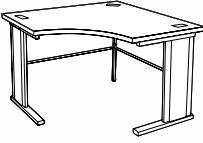
- Adjustable glides
- Keyboard pad: 10 x 24" ; 3" height adjustments: 1" forward extension adjustment: 15° Maximum downward tilt
- Corner support leg is 7/8" sq. tubular steel
- Not available with both (TB) transitional legs



Stand Alone Corner Curvilinear Workspace

- Adjustable glides
- Front edge is curved
- Corner support leg is 7/8" sq. tubular steel
- Not available with both (TB) transitional legs

REFER TO THE NEXT PAGE TO BUILD A MODEL NUMBER FOR THIS PRODUCT

	D x W (Left) x W (Right) x D	Basic Model	Edge Style	Height	Wireway	Frame Style	Trans. Legs	Worksurface Grommet	Paint Color	Insert Color	Laminate Color	Edge Color	Grommet Color	Net Price
 Stand Alone Corner	24" x 36" x 36" x 24"	WCS2436	□□□	□	□□	□□	□□	□□□	□□	□□□	□□□	□□□	□□□	\$382
	24" x 42" x 42" x 24"	WCS2442	□□□	□	□□	□□	□□	□□□	□□	□□□	□□□	□□□	□□□	\$419
	24" x 48" x 48" x 24"	WCS2448	□□□	□	□□	□□	□□	□□□	□□	□□□	□□□	□□□	□□□	\$484
	30" x 42" x 42" x 30"	WCS3042	□□□	□	□□	□□	□□	□□□	□□	□□□	□□□	□□□	□□□	\$480
	30" x 48" x 48" x 30"	WCS3048	□□□	□	□□	□□	□□	□□□	□□	□□□	□□□	□□□	□□□	\$506
 SAC with Keyboard	24" x 42" x 42" x 24"	WCSK2442	□□□	□	□□	□□	□□	□□□	□□	□□□	□□□	□□□	□□□	\$520
	24" x 48" x 48" x 24"	WCSK2448	□□□	□	□□	□□	□□	□□□	□□	□□□	□□□	□□□	□□□	\$598
	30" x 48" x 48" x 30"	WCSK3048	□□□	□	□□	□□	□□	□□□	□□	□□□	□□□	□□□	□□□	\$652
 SAC Curvilinear	24" x 36" x 36" x 24"	WCC243624	□□□	□	□□	□□	□□	□□□	□□	□□□	□□□	□□□	□□□	\$451
	24" x 42" x 42" x 24"	WCC244224	□□□	□	□□	□□	□□	□□□	□□	□□□	□□□	□□□	□□□	\$478
	24" x 48" x 48" x 24"	WCC244824	□□□	□	□□	□□	□□	□□□	□□	□□□	□□□	□□□	□□□	\$489
	30" x 42" x 42" x 30"	WCC304230	□□□	□	□□	□□	□□	□□□	□□	□□□	□□□	□□□	□□□	\$486
	30" x 48" x 48" x 30"	WCC304830	□□□	□	□□	□□	□□	□□□	□□	□□□	□□□	□□□	□□□	\$499

- 1 2 3 4 5 6 7 8 9 10 11 12

HOW TO ORDER

Indicate the following information on the order form:

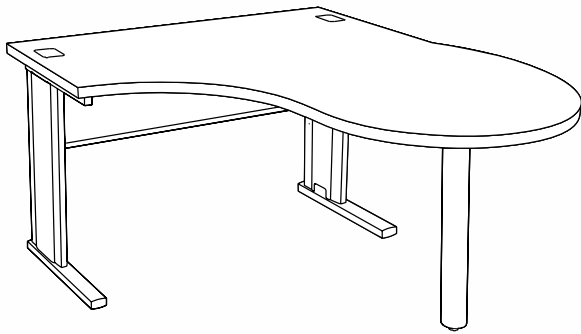
1. Quantity of each item.
2. Model Number, including options.
(See "How to Build a Model Number.")
3. Any special service required.

Note:
The □ indicates that a choice is required.

The absence of □ indicates that no choice is required
Alpha-Numeric characters in place of □ indicates that no other alternatives are available.

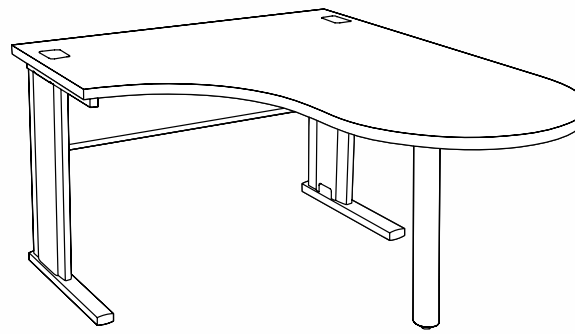
HOW TO BUILD A MODEL NUMBER

- 1 Select Basic Model**
- 2 Select Edge Style**
BN - Flat vinyl T-edge
74P - 74P edge
- 3 Select Height**
7 - 27" high
9 - 29" high
- 4 Select Horizontal Wireway**
NW - No horizontal wireway
WW - Wireway Add \$25 per side
- 5 Select Frame Style**
WB - w/Beam
WM - w/Modesty panel
WF - w/Full modesty panel
(available on 29" high only) Add \$40 Upcharge per side
- 6 Select Location and Type of Leg**
TS - Standard legs
TL - Transition leg (left)
TR - Transition leg (right)
- 7 Select Worksurface Grommet Option**
OGN - No worksurface grommet
OGY - Yes worksurface grommet
Grommets are required for overhead cabinet.
Grommets can be used for wire pass-through.
- 8 Select Paint Color**
Refer to [Finish Options](#).
- 9 Select Insert Color**
Refer to [Finish Options](#). Insert color also includes horizontal wireway (WW) if selected.
- 10 Select Laminate Surface**
Refer to [Finish Options](#).
- 11 Select Edge Color**
Refer to [Finish Options](#). Edge color offerings are based on edge style selections.
- 12 Select Grommet Color**
Refer to [Finish Options](#).



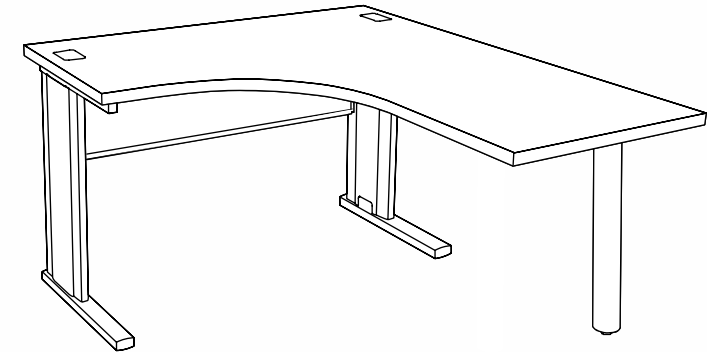
"P" Shaped Peninsula Worksurface (Right Shown)

- Adjustable glides
- Long surface is supported by 3" diameter metal support leg with adjustable glide
- Connects to either 24" or 30" worksurface
- Available with 29" height only



Piano Peninsula Worksurface (Right Shown)

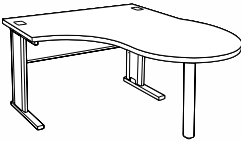
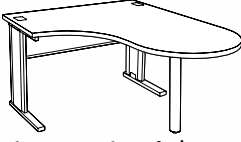
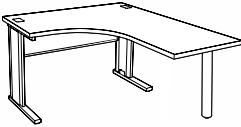
- Adjustable glides
- Long surface is supported by 3" diameter metal support leg with adjustable glide
- Connects to either 24" or 30" worksurface
- Available with 29" height only



Square Shoe Worksurface (Right Shown)

- Adjustable glides
- Long surface is supported by 3" diameter metal support leg with adjustable glide
- Connects to either 24" or 30" worksurface
- Available with 29" height only

[REFER TO THE NEXT PAGE TO BUILD A MODEL NUMBER FOR THIS PRODUCT](#)

	D x W (Left) x W (Right) x D	Basic Model	Edge Style	Surface Direction	Ht.	Wireway	Frame Style	Trans. Legs	Worksurface Grommet	Paint Color	Insert Color	Laminate Color	Edge Color	Grommet Color	Net Price
 <p>"P" Shaped Peninsula*</p>	24" x 48" x 60"	WZPT244860	□□□	□	9	□□	□□	□□	□□□	□□	□□	□□□	□□□	□□□	\$773
	24" x 48" x 66"	WZPT244866	□□□	□	9	□□	□□	□□	□□□	□□	□□	□□□	□□□	□□□	\$780
	24" x 48" x 72"	WZPT244872	□□□	□	9	□□	□□	□□	□□□	□□	□□	□□□	□□□	□□□	\$781
	30" x 48" x 66"	WZPT304866	□□□	□	9	□□	□□	□□	□□□	□□	□□	□□□	□□□	□□□	\$796
	30" x 48" x 72"	WZPT304872	□□□	□	9	□□	□□	□□	□□□	□□	□□	□□□	□□□	□□□	\$805
 <p>Piano Peninsula*</p>	24" x 48" x 60"	WZPP244860	□□□	□	9	□□	□□	□□	□□□	□□	□□	□□□	□□□	□□□	\$742
	24" x 48" x 66"	WZPP244866	□□□	□	9	□□	□□	□□	□□□	□□	□□	□□□	□□□	□□□	\$749
	24" x 48" x 72"	WZPP244872	□□□	□	9	□□	□□	□□	□□□	□□	□□	□□□	□□□	□□□	\$813
	30" x 48" x 66"	WZPP304866	□□□	□	9	□□	□□	□□	□□□	□□	□□	□□□	□□□	□□□	\$850
	30" x 48" x 72"	WZPP304872	□□□	□	9	□□	□□	□□	□□□	□□	□□	□□□	□□□	□□□	\$855
 <p>Square Shoe*</p>	24" x 48" x 60"	WZSS244860	□□□	□	9	□□	□□	□□	□□□	□□	□□	□□□	□□□	□□□	\$755
	24" x 48" x 66"	WZSS244866	□□□	□	9	□□	□□	□□	□□□	□□	□□	□□□	□□□	□□□	\$773
	24" x 48" x 72"	WZSS244872	□□□	□	9	□□	□□	□□	□□□	□□	□□	□□□	□□□	□□□	\$798
	24" x 48" x 84"	WZSS244884	□□□	□	9	□□	□□	□□	□□□	□□	□□	□□□	□□□	□□□	\$881
	30" x 48" x 66"	WZSS304866	□□□	□	9	□□	□□	□□	□□□	□□	□□	□□□	□□□	□□□	\$785
	30" x 48" x 72"	WZSS304872	□□□	□	9	□□	□□	□□	□□□	□□	□□	□□□	□□□	□□□	\$805
	30" x 48" x 84"	WZSS304884	□□□	□	9	□□	□□	□□	□□□	□□	□□	□□□	□□□	□□□	\$921

*(right side shown for each model)

- 1 2 3 4 5 6 7 8 9 10 11 12 13

HOW TO ORDER

Indicate the following information on the order form:

1. Quantity of each item.
2. Model Number, including options.
(See "How to Build a Model Number.")
3. Any special service required.

Note:

The □ indicates that a choice is required.

The absence of □ indicates that no choice is required
Alpha-Numeric characters in place of □ indicates that no other alternatives are available.

HOW TO BUILD A MODEL NUMBER

1 Select Basic Model

- ### 2 Select Edge Style
- BN - Flat vinyl T-edge
 - 74P - 74P edge

3 Select Surface Direction

- R - Right
- L - Left

Direction is determined by the side of the worksurface that has the 3" diameter leg. Calculate side based on user's normal seated position.

4 Select Height

- 9 - 29" high

5 Select Horizontal Wireway

- NW - No horizontal wireway
- WW - Wireway Add \$40

6 Select Frame Style

- WB - w/Beam
- WM - w/Modesty panel
- WF - w/Full modesty panel
(available on 29" high only) Add \$40

7 Select Location and Type of Leg

- TS - Standard legs
- TL - Transitional leg (left)
- TR - Transitional leg (right)
- TB - Transitional leg (both)

Note: If ordering basic worksurface as a freestanding unit, or if only one side connects to a transitional worksurface, the "TB" option for both transitional legs is not available.

8 Select Worksurface Grommet Option

- OGN - No worksurface grommet
 - OGY - Yes worksurface grommet
- Grommets are required for overhead cabinet. Grommets can be used for wire pass-through.

9 Select Paint Color

Refer to [Finish Options](#).

10 Select Insert Color

Refer to [Finish Options](#). Insert color also includes horizontal wireway (WW) if selected.

11 Select Laminate Surface

Refer to [Finish Options](#).

12 Select Edge Color

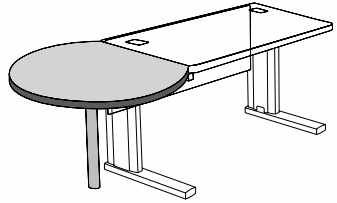
Refer to [Finish Options](#). Edge color offerings are based on edge style selections.

13 Select Grommet Color

Refer to [Finish Options](#).

Diameter	Basic Model	Edge Style	Height	Paint Color	Laminate Color	Edge Color	Net Price
----------	-------------	------------	--------	-------------	----------------	------------	-----------

36"	WCE36	□□□	9	□□	□□□	□□□	\$233
42"	WCE42	□□□	9	□□	□□□	□□□	\$239



Conference End Worksurface

- WCE36 has a 36" diameter and connects to 24" deep worksurface
- WCE42 has a 42" diameter and connects to 30" deep worksurface
- 3" diameter metal support leg with adjustable glide

① ② ③ ④ ⑤ ⑥

HOW TO ORDER

- Indicate the following information on the order form:
1. Quantity of each item.
 2. Model Number, including options.
(See "How to Build a Model Number.")
 3. Any special service required.

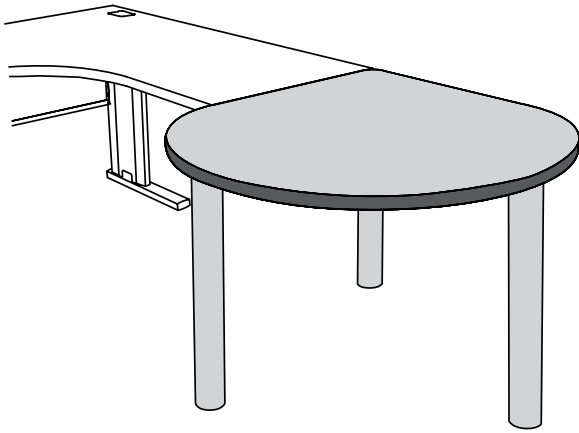
Note:
The □ indicates that a choice is required.

The absence of □ indicates that no choice is required
Alpha-Numeric characters in place of □ indicates that no other alternatives are available.

HOW TO BUILD A MODEL NUMBER

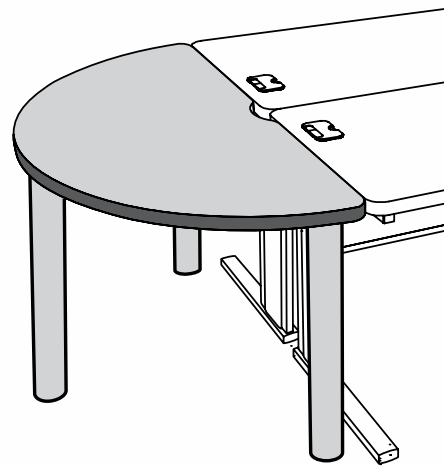
+

- 1 **Select Basic Model**
- 2 **Select Edge Style**
BN - Flat vinyl T-edge
74P - 74P edge
- 3 **Select Height**
9 - 29" high
- 4 **Select Paint Color**
Refer to [Finish Options](#).
- 5 **Select Laminate Surface**
Refer to [Finish Options](#).
- 6 **Select Edge Color**
Refer to [Finish Options](#). Edge color offerings are based on edge style selections.



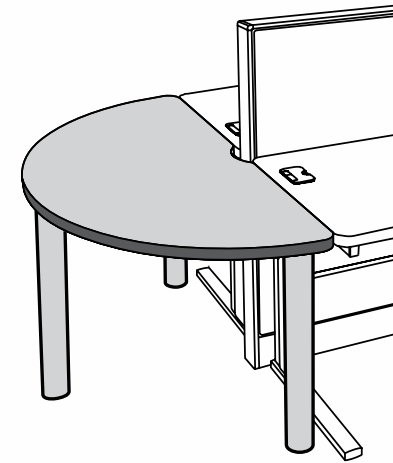
Mobile Teardrop Worksurface

- Base consists of 3" diameter metal support leg with adjustable chrome-plated glide
- Connects to end of 24" or 30" worksurface
- Wireway option not available
- 29" height only without casters



Mobile Semi-Circle Worksurface

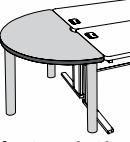
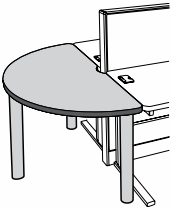
- Base consists of 3" diameter metal support leg with adjustable chrome-plated glide
- Aligns with end of 24" or 30" worksurface
- Notched in center for wire management
- 3" casters are optional; two are locking
- Wireway option not available
- 29" height only with or without casters



Mobile Semi-Circle Worksurface with Notch

- Use with PowerWorks® panels
- Notch enables surface to wrap around end cap of PowerWorks panel
- 51-1/2" diameter accommodates two 24" deep worksurfaces separated by a PowerWorks panel
- 63-1/2" diameter accommodates two 30" deep worksurfaces separated by a PowerWorks panel
- Flat for use with Legion flat metal trim

[REFER TO THE NEXT PAGE TO BUILD A MODEL NUMBER FOR THIS PRODUCT](#)

	Depth x Diameter	Basic Model	Edge Style	Height	Paint Color	Base	Laminate Color	Edge Color	Net Price
	24" x 40"	WMT2440	□□□	9	□□	G	□□□	□□□	\$370
	30" x 50"	WMT3050	□□□	9	□□	G	□□□	□□□	\$429
	24" x 48"	WMSC48	□□□	9	□□	□	□□□	□□□	\$359
	30" x 60"	WMSC60	□□□	9	□□	□	□□□	□□□	\$383
	24" x 51-1/2"	WMSCFW52	□□□	9	□□	G	□□□	□□□	\$376
	30" x 63-1/2"	WMSCFW64	□□□	9	□□	G	□□□	□□□	\$379

- 1
- 2
- 3
- 4
- 5
- 6
- 7

HOW TO ORDER

Indicate the following information on the order form:


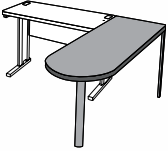
1. Quantity of each item.
2. Model Number, including options.
(See "How to Build a Model Number.")
3. Any special service required.

Note:
The □ indicates that a choice is required.

The absence of □ indicates that no choice is required
Alpha-Numeric characters in place of □ indicates that no other alternatives are available.

HOW TO BUILD A MODEL NUMBER

- 1 **Select Basic Model**
- 2 **Select Edge Style**
BN - Flat vinyl T-edge
74P - 74P edge
- 3 **Select Height**
9 - 29" high
- 4 **Select Paint Color**
Refer to [Finish Options](#).
- 5 **Select Base Option**
G - Glides (4 glides)
C - Casters
- 6 **Select Laminate Surface**
Refer to [Finish Options](#).
- 7 **Select Edge Color**
Refer to [Finish Options](#). Edge color offerings are based on edge style selections.

	D x W	Basic Model	Edge Style	Height	Frame Style	Paint Color	Laminate Color	Edge Color	Net Price
 Peninsula End Worksurface <ul style="list-style-type: none"> • 3" diameter metal support leg • Wireway option not available • Available with 29" height only 	24" x 48"	WPW2448	□□□	9		□□	□□□	□□□	\$229
	24" x 60"	WPW2460	□□□	9		□□	□□□	□□□	\$238
	24" x 72"	WPW2472	□□□	9		□□	□□□	□□□	\$246
	30" x 48"	WPW3048	□□□	9		□□	□□□	□□□	\$237
	30" x 60"	WPW3060	□□□	9		□□	□□□	□□□	\$246
	30" x 72"	WPW3072	□□□	9		□□	□□□	□□□	\$255
 Peninsula Side Mount Worksurface <ul style="list-style-type: none"> • 3" diameter metal support leg • When specifying peninsula side mount worksurface a transitional leg must be ordered on the basic surface to which it will connect • Wireway option not available • Available with 29" height only • The selection of with beam, modesty or full modesty is for the 24" or 30" depth • If a guest side modesty is desired that would need to be specified separately 	24" x 48"	WPW2448S	□□□	9	□□	□□	□□□	□□□	\$280
	24" x 60"	WPW2460S	□□□	9	□□	□□	□□□	□□□	\$289
	24" x 72"	WPW2472S	□□□	9	□□	□□	□□□	□□□	\$296
	30" x 48"	WPW3048S	□□□	9	□□	□□	□□□	□□□	\$288
	30" x 60"	WPW3060S	□□□	9	□□	□□	□□□	□□□	\$297
	30" x 72"	WPW3072S	□□□	9	□□	□□	□□□	□□□	\$307
<div style="display: flex; justify-content: space-around; width: 100%;"> ① ② ③ ④ ⑤ ⑥ ⑦ </div>									

HOW TO ORDER

Indicate the following information on the order form:

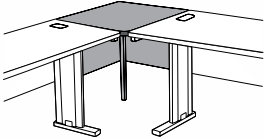
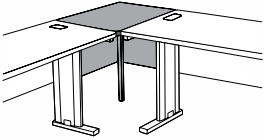
1. Quantity of each item.
2. Model Number, including options.
(See "How to Build a Model Number.")
3. Any special service required.

Note:
The □ indicates that a choice is required.

The absence of □ indicates that no choice is required
Alpha-Numeric characters in place of □ indicates that no other alternatives are available.

HOW TO BUILD A MODEL NUMBER

- 1 **Select Basic Model**
- 2 **Select Edge Style**
BN - Flat vinyl T-edge
74P - 74P edge
- 3 **Select Height**
9 - 29" high
- 4 **Select Frame Style**
WB - w/Beam
WM - w/Modesty panel
WF - w/Full modesty panel
(available on 29" high only) Add \$40 Upcharge
- 5 **Select Paint Color**
Refer to [Finish Options](#).
- 6 **Select Laminate Surface**
Refer to [Finish Options](#).
- 7 **Select Edge Color**
Refer to [Finish Options](#). Edge color offerings are based on edge style selections.

	D x W	Basic Model	Edge Style	Trans. Direction	Trans. Height	Wireway	Frame Style	Paint Color	Insert Color	Laminate Color	Edge Color	Net Price
 <p>Square Transitional Surface</p> <ul style="list-style-type: none"> • Full wrap modesty panel included • For use with fixed height workstations only • Corner support leg is 7/8" square tubular steel 	24" x 24"	WST2424	□□□	□	□□	□□	□□	□□	□□□	□□□	□□□	\$194
	30" x 30"	WST3030	□□□	□	□□	□□	□□	□□	□□□	□□□	□□□	\$220
 <p>Rectangle Transitional Surface</p> <ul style="list-style-type: none"> • Full wrap modesty panel included • For use with fixed height workstations only • Corner support leg is 7/8" square tubular steel 	24" x 30"	WRT2430	□□□	□	□□	□□	□□	□□	□□□	□□□	□□□	\$224
	30" x 24"	WRT3024	□□□	□	□□	□□	□□	□□	□□□	□□□	□□□	\$224

- ① ② ③ ④ ⑤ ⑥ ⑦ ⑧ ⑨ ⑩

HOW TO ORDER

Indicate the following information on the order form:

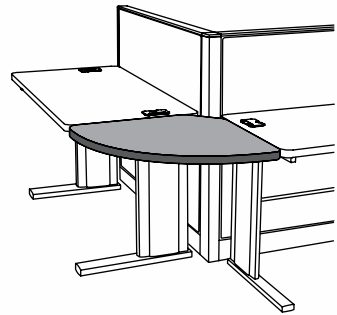
1. Quantity of each item.
2. Model Number, including options.
(See "How to Build a Model Number.")
3. Any special service required.

Note:
The □ indicates that a choice is required.

The absence of □ indicates that no choice is required
Alpha-Numeric characters in place of □ indicates that no other alternatives are available.

HOW TO BUILD A MODEL NUMBER

- ① **Select Basic Model**
- ② **Select Edge Style**
BN - Flat vinyl T-edge
74P - 74P edge
- ③ **Select Transition Direction**
L - Left
R - Right
X - None
Transition direction is determined from the originating 24" or 30" basic or keyboard pad worksurface. All square and rectangular transitional surfaces connected at the same height do not require Right (R) or Left (L) transition direction. Use "X" for transition direction. Transitional direction required for "97" transitional height.
- ④ **Select Transition Height**
77 - 27" to 27" high
97 - 29" to 27" high
99 - 29" to 29" high
- ⑤ **Select Horizontal Wireway**
NW - No horizontal wireway
WW - Wireway Add WW Upcharge
- ⑥ **Select Frame Style**
WB - w/Beam
WM - w/Modesty panel
WF - w/Full modesty panel
(available on 29" high only) Add \$40 per side
- ⑦ **Select Paint Color**
Refer to [Finish Options](#).
- ⑧ **Select Insert Color**
Refer to [Finish Options](#). Insert color also includes horizontal wireway (WW) if selected.
- ⑨ **Select Laminate Surface**
Refer to [Finish Options](#).
- ⑩ **Select Edge Color**
Refer to [Finish Options](#). Edge color offerings are based on edge style selections.



Quarter Round Transitional Surface

- Two splice plates provided
- For use with fixed height workstations only
- Available with felt vinyl T-edge or 74P edge
- For use as conferencing corner
- Wireway option not available
- Modesty panel not required
- 24" surface has radius of 26-2/3" and 30" surface has a radius of 35"

Depth x Diameter	Basic Model	Edge Style	Laminate Color	Edge Color	Net Price
24" x 24" Diameter for Panel	WQRPW24	□□□	□□□	□□□	\$196
30" x 30" Diameter for Panel	WQRPW30	□□□	□□□	□□□	\$205

1

2

3

4

HOW TO ORDER

- Indicate the following information on the order form:
1. Quantity of each item.
 2. Model Number, including options.
(See "How to Build a Model Number.")
 3. Any special service required.

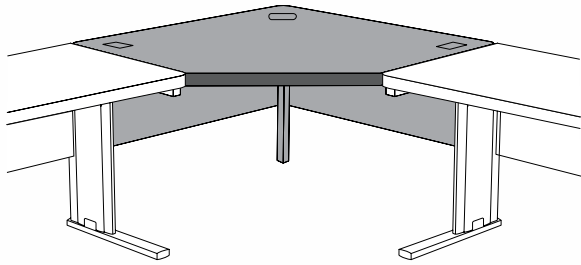
Note:
The □ indicates that a choice is required.

The absence of □ indicates that no choice is required
Alpha-Numeric characters in place of □ indicates that no other alternatives are available.

HOW TO BUILD A MODEL NUMBER

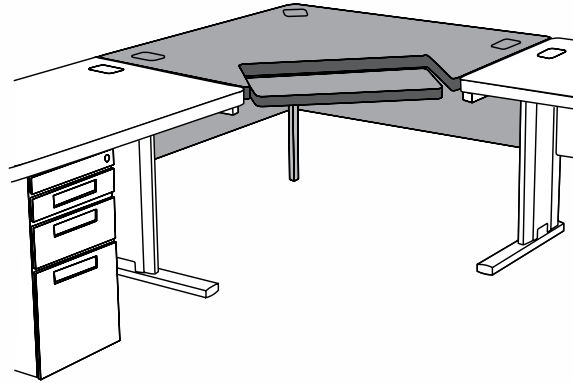
- 1 Select Basic Model**
- 2 Select Edge Style**
BN - Flat vinyl T-edge
74P - 74P edge
- 3 Select Laminate Surface**
Refer to [Finish Options](#).
- 4 Select Edge Color**
Refer to [Finish Options](#). Edge color offerings are based on edge style selections.

+



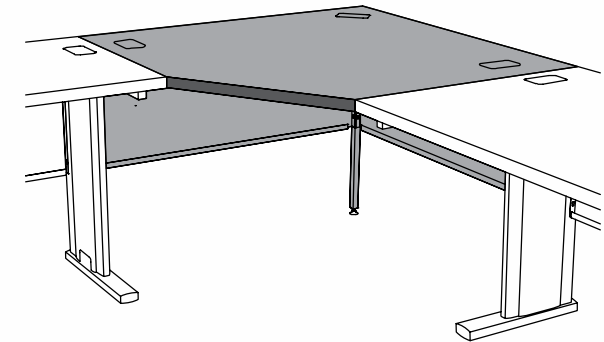
Corner Transitional Surface

- Corner support leg is 7/8" sq. tubular steel
- For use with fixed height workstations only
- Front edge dimension is 17" on 24" x 36" and 30" x 42"; 25-1/2" on 24" x 42" and 30" x 48"; 34" on 24" x 48"
- Overheads may not be specified



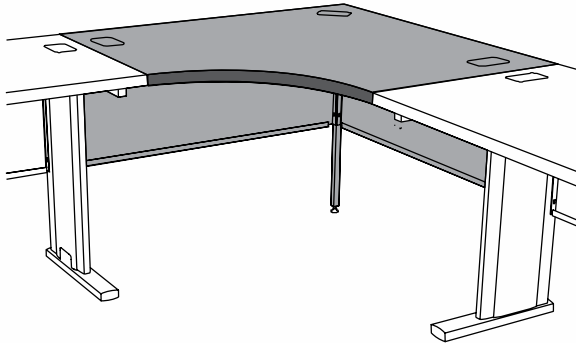
Corner Transitional Surface with Keyboard Pad

- Keyboard pad: 10" x 24"; 3" height adjustments: 1" forward extension adjustment: 15° maximum downward tilt
- For use with fixed height workstations only
- Corner support leg is 7/8" sq. tubular steel
- Overheads may not be specified



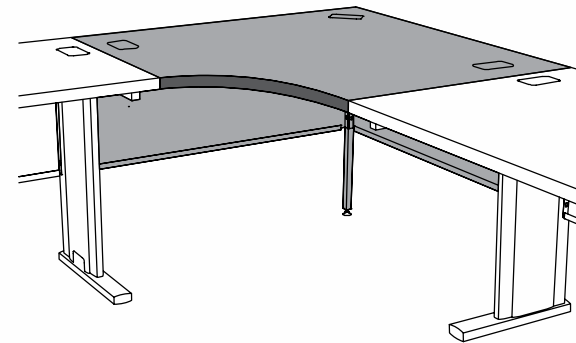
Corner Transitional Reduction Surface

- For use with fixed height workstations only
- Corner support leg is 7/8" sq. tubular steel
- Used to join 24" and 30" deep worksurfaces in corner
- Overheads may not be specified



Corner Curvilinear Transitional Surface

- For use with fixed height workstations only
- Corner support leg is 7/8" sq. tubular steel
- Curved front surface
- Overheads may not be specified



Corner Curvilinear Transitional Reduction Surface

- For use with fixed height workstations only
- Corner support leg is 7/8" sq. tubular steel
- Use to join 24" and 30" worksurfaces in corner
- Curved front surface
- Overheads may not be specified

REFER TO THE NEXT PAGE TO BUILD A MODEL NUMBER FOR THIS PRODUCT

	D x W (Left) x W (Right) x D	Basic Model	Edge Style	Trans. Direction	Trans. Height	Wireway	Frame Style	Worksurface Grommet	Paint Color	Insert Color	Laminate Color	Edge Color	Grommet Color	Net Price
Corner Transitional Surface	24" x 36" x 36" x 24"	WCT2436	□□□	□	□□	□□	□□	□□□	□□	□□□	□□□	□□□	□□□	\$256
	24" x 42" x 42" x 24"	WCT2442	□□□	□	□□	□□	□□	□□□	□□	□□□	□□□	□□□	□□□	\$297
	24" x 48" x 48" x 24"	WCT2448	□□□	□	□□	□□	□□	□□□	□□	□□□	□□□	□□□	□□□	\$324
	30" x 42" x 42" x 30"	WCT3042	□□□	□	□□	□□	□□	□□□	□□	□□□	□□□	□□□	□□□	\$340
	30" x 48" x 48" x 30"	WCT3048	□□□	□	□□	□□	□□	□□□	□□	□□□	□□□	□□□	□□□	\$375
Corner Transitional Surface with Keyboard Pad	24" x 42" x 42" x 24"	WCTK2442	□□□	□	□□	□□	□□	□□□	□□	□□□	□□□	□□□	□□□	\$398
	24" x 48" x 48" x 24"	WCTK2448	□□□	□	□□	□□	□□	□□□	□□	□□□	□□□	□□□	□□□	\$459
	30" x 48" x 48" x 30"	WCTK3048	□□□	□	□□	□□	□□	□□□	□□	□□□	□□□	□□□	□□□	\$478
Corner Transitional Reduction Surface	24" x 42" x 42" x 30"	WCT244230	□□□	□	□□	□□	□□	□□□	□□	□□□	□□□	□□□	□□□	\$340
	24" x 48" x 48" x 30"	WCT244830	□□□	□	□□	□□	□□	□□□	□□	□□□	□□□	□□□	□□□	\$347
	30" x 42" x 42" x 24"	WCT304224	□□□	□	□□	□□	□□	□□□	□□	□□□	□□□	□□□	□□□	\$340
	30" x 48" x 48" x 24"	WCT304824	□□□	□	□□	□□	□□	□□□	□□	□□□	□□□	□□□	□□□	\$347
Corner Curvilinear Transitional Surface	24" x 36" x 36" x 24"	WCCT2436	□□□	□	□□	□□	□□	□□□	□□	□□□	□□□	□□□	□□□	\$303
	24" x 42" x 42" x 24"	WCCT2442	□□□	□	□□	□□	□□	□□□	□□	□□□	□□□	□□□	□□□	\$364
	24" x 48" x 48" x 24"	WCCT2448	□□□	□	□□	□□	□□	□□□	□□	□□□	□□□	□□□	□□□	\$371
	30" x 42" x 42" x 30"	WCCT3042	□□□	□	□□	□□	□□	□□□	□□	□□□	□□□	□□□	□□□	\$371
	30" x 48" x 48" x 30"	WCCT3048	□□□	□	□□	□□	□□	□□□	□□	□□□	□□□	□□□	□□□	\$378
Corner Curvilinear Transitional Reduction Surface	24" x 42" x 42" x 30"	WCCT244230	□□□	□	□□	□□	□□	□□□	□□	□□□	□□□	□□□	□□□	\$371
	24" x 48" x 48" x 30"	WCCT244830	□□□	□	□□	□□	□□	□□□	□□	□□□	□□□	□□□	□□□	\$384
	30" x 42" x 42" x 24"	WCCT304224	□□□	□	□□	□□	□□	□□□	□□	□□□	□□□	□□□	□□□	\$371
	30" x 48" x 48" x 24"	WCCT304824	□□□	□	□□	□□	□□	□□□	□□	□□□	□□□	□□□	□□□	\$384

- ① ② ③ ④ ⑤ ⑥ ⑦ ⑧ ⑨ ⑩ ⑪ ⑫

HOW TO ORDER

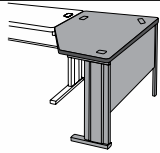
Indicate the following information on the order form:
 1. Quantity of each item.
 2. Model Number, including options.
 (See "How to Build a Model Number.")
 3. Any special service required.

Note:
 The □ indicates that a choice is required.

The absence of □ indicates that no choice is required
 Alpha-Numeric characters in place of □ indicates that no other alternatives are available.

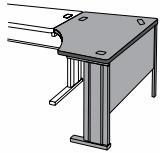
HOW TO BUILD A MODEL NUMBER

- ① **Select Basic Model**
- ② **Select Edge Style**
 BN - Flat vinyl T-edge
 74P - 74P edge
- ③ **Select Transition Direction**
 L - Left
 R - Right
 X - None
 Transition direction is determined from the originating 24" or 30" basic or keyboard pad worksurface. All square and rectangular transitional surfaces connected at the same height do not require Right (R) or Left (L) transition direction. Use "X" for transition direction. Transitional direction required for "97" transitional height.
- ④ **Select Transition Height**
 77 - 27" to 27" high
 97 - 29" to 27" high
 99 - 29" to 29" high
- ⑤ **Select Horizontal Wireway**
 NW - No horizontal wireway
 WW - Wireway Add \$25 per side
- ⑥ **Select Frame Style**
 WB - w/Beam
 WM - w/Modesty panel
 WF - w/Full modesty panel
 (available on 29" high only) Add \$40 per side
- ⑦ **Select Worksurface Grommet Option**
 OGN - No worksurface grommet
 OGY - Yes worksurface grommet
 Grommets are required for overhead cabinet. Grommets can be used for wire pass-through.
- ⑧ **Select Paint Color**
 Refer to [Finish Options](#).
- ⑨ **Select Insert Color**
 Refer to [Finish Options](#). Insert color also includes horizontal wireway (WW) if selected.
- ⑩ **Select Laminate Surface**
 Refer to [Finish Options](#).
- ⑪ **Select Edge Color**
 Refer to [Finish Options](#). Edge color offerings are based on edge style selections.
- ⑫ **Select Grommet Color**
 Refer to [Finish Options](#).



End-of-Run Corner Surface

- For use with fixed height workstations only
- Corner support leg is 7/8" square tubular steel
- Corner Overheads (Universal or Venus®) may only be specified on the full-leg side



End of Run Curvilinear Surface

- For use with fixed height workstations only
- Corner support leg is 7/8" square tubular steel
- Corner Overheads (Universal or Venus®) may only be specified on the full-leg side

D x W (Left) x W (Right) x D	Basic Model	Edge Style	Trans. Direction	Trans. Height	Wireway	Frame Style	Worksurface Grommet	Paint Color	Insert Color	Laminate Color	Edge Color	Grommet Color	Net Price
24" x 36" x 36" x 24"	WER2436	□□□	□	□□	□□	□□	□□□	□□	□□□	□□□	□□□	□□□	\$374
24" x 42" x 42" x 24"	WER2442	□□□	□	□□	□□	□□	□□□	□□	□□□	□□□	□□□	□□□	\$415
24" x 48" x 48" x 24"	WER2448	□□□	□	□□	□□	□□	□□□	□□	□□□	□□□	□□□	□□□	\$425
30" x 42" x 42" x 30"	WER3042	□□□	□	□□	□□	□□	□□□	□□	□□□	□□□	□□□	□□□	\$425
30" x 48" x 48" x 30"	WER3048	□□□	□	□□	□□	□□	□□□	□□	□□□	□□□	□□□	□□□	\$439
24" x 36" x 36" x 24"	WCCE2436	□□□	□	□□	□□	□□	□□□	□□	□□□	□□□	□□□	□□□	\$374
24" x 42" x 42" x 24"	WCCE2442	□□□	□	□□	□□	□□	□□□	□□	□□□	□□□	□□□	□□□	\$414
24" x 48" x 48" x 24"	WCCE2448	□□□	□	□□	□□	□□	□□□	□□	□□□	□□□	□□□	□□□	\$430
30" x 42" x 42" x 30"	WCCE3042	□□□	□	□□	□□	□□	□□□	□□	□□□	□□□	□□□	□□□	\$434
30" x 48" x 48" x 30"	WCCE3048	□□□	□	□□	□□	□□	□□□	□□	□□□	□□□	□□□	□□□	\$445

- ① ② ③ ④ ⑤ ⑥ ⑦ ⑧ ⑨ ⑩ ⑪ ⑫

HOW TO ORDER

Indicate the following information on the order form:

1. Quantity of each item.
2. Model Number, including options.
(See "How to Build a Model Number.")
3. Any special service required.

Note:
The □ indicates that a choice is required.

The absence of □ indicates that no choice is required
Alpha-Numeric characters in place of □ indicates that no other alternatives are available.

HOW TO BUILD A MODEL NUMBER

① Select Basic Model

- ② Select Edge Style**
BN - Flat vinyl T-edge
74P - 74P edge

③ Select Transition Direction

- L - Left
R - Right
Transition direction is determined from the originating 24" or 30" basic or keyboard pad worksurface. When ordering an End-of-Run worksurface, the adjoining worksurface must have a transitional leg. Order a right (R) or left (L) transitional.

④ Select Transition Height

- 7 - 27" high
9 - 29" high

⑤ Select Horizontal Wireway

- NW - No horizontal wireway
WW - Wireway Add \$25

⑥ Select Frame Style

- WB - w/Beam
WM - w/Modesty panel
WF - w/Full modesty panel
(available on 29" high only) Add \$40

⑦ Select Worksurface Grommet Option

- OGN - No worksurface grommet
OGY - Yes worksurface grommet
Grommets are required for overhead cabinet. Grommets can be used for wire pass-through.

⑧ Select Paint Color

- Refer to [Finish Options](#).

⑨ Select Insert Color

- Refer to [Finish Options](#). Insert color also includes horizontal wireway (WW) if selected.

⑩ Select Laminate Surface

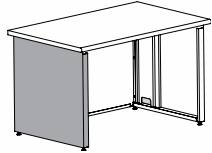
- Refer to [Finish Options](#).

⑪ Select Edge Color

- Refer to [Finish Options](#). Edge color offerings are based on edge style selections.

⑫ Select Grommet Color

- Refer to [Finish Options](#).



- Full Leg End Panel**
- Single end panel
 - Non-handed works as either left or right-handed
 - Attaches over existing desk leg



- Guest Modesty Panel**
- Can be used on any peninsula or square shoe other than FlexStation® Instruct® Desk
 - Non-handed works as either left or right-handed

Worksurface Height Change Connectors

- Attaches 27" — 29" high worksurfaces
- Can't be used with "T6" option

	Size	Depth x Width	Basic Model	Paint Color	Net Price
Full Leg End Panel		24" x 29"	WBW24FEP	<input type="checkbox"/>	\$52
		30" x 29"	WBW30FEP	<input type="checkbox"/>	\$55
Guest Modesty Panel	For 60"	9" x 50"	WZMP60	<input type="checkbox"/>	\$48
	66"	9" x 56"	WZMP66	<input type="checkbox"/>	\$56
	72"	9" x 62"	WZMP72	<input type="checkbox"/>	\$64
	84"	9" x 74"	WZMP84	<input type="checkbox"/>	\$88
Worksurface Height Change Connectors			87-4624	<input type="checkbox"/>	\$9

①

②

HOW TO ORDER

Indicate the following information on the order form:

1. Quantity of each item.
2. Model Number, including options.
(See "How to Build a Model Number.")
3. Any special service required.

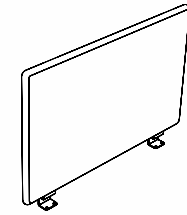
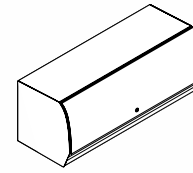
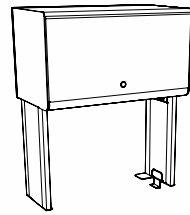
Note:
The indicates that a choice is required.

The absence of indicates that no choice is required
Alpha-Numeric characters in place of indicates that no other alternatives are available.

HOW TO BUILD A MODEL NUMBER

- ① **Select Basic Model**
- ② **Select Paint Color**
Refer to [Finish Options](#).

+



Features	Universal Overhead Cabinet (WZUS)	Venus® Overhead Cabinet (VNOS)	Privacy Screens (WZP)
Solid color/translucent door		•	
Fabric door	•	•	
Laminate door	•	•	
Steel door	•		
Fully assembled		•	
Task light	•	•	
Hanging tackboard	•	•	
Hanging tool rail	•	•	
Fabric covered screen			•
Field installable			•

BLCS, BLCI, BLCF Models:				
Overhead Width	Door Overhang In Open Position	No. Of Doors	Inside Width Of Overhead	Dimension Between Side Sets At Worksurface
30"	3"	1	27-3/4"	27"
36"	3"	1	33-3/4"	33"
42"	3"	1	39-3/4"	39"
48"	3"	1	45-3/4"	45"
54"	3"	1	51-3/4"	51"
60"	3"	1	57-3/4"	57"
66"	3"	2	2 x 27-3/4"	2 x 28"
72"	3"	2	2 x 33-3/4"	2 x 34"

Overall height from worksurface to top of overhead is 36".

Overhead top slants upward 1" from the back to the door.

Overhead allows for 19-1/2" clearance from worksurface to underside of shelf.

WZUS, WZUF, WZUL Models:				
Overhead Width	Door Overhang In Open Position	No. Of Doors	Inside Width Of Overhead	Dimension Between Side Sets At Worksurface
30"	4"	1	29-1/2"	27"
36"	4"	1	35-1/2"	33"
42"	4"	1	41-1/2"	39"
48"	4"	1	47-1/2"	45"
54"	4"	1	53-1/2"	51"
60"	4"	1	59-1/2"	57"
66"	4"	2	1 x 29-1/2" " 1 x 35-1/2"	1 x 28" " 1 x 34"
72"	4"	2	2 x 33-3/4"	2 x 34"

Overall height from worksurface to top of overhead is 36".

Overhead allows for 19-1/2" clearance from worksurface to underside of shelf.

SPECIFICATIONS

Universal Overhead Cabinets

Overhead storage shall consist of overhead cabinet(s) and shelves. Overhead storage shall attach to worksurface with two overhead support stanchions for 30", 36", 42", 48", 54" and 60" sizes. Three overhead support stanchions for 66" and 72" sizes. 66" overheads shall consist of a 30" and 36" overhead combination. 72" overheads shall consist of a pair of 36" overheads.

Shelf dividers shall be powder-coated steel with installation and removal accomplished without the use of tools or fasteners.

Universal overheads and shelves shall be 17" high and shall have 19-1/2" clearance between the worksurface and the bottom of shelf. Overhead doors shall be available with painted steel, fabric, laminate, or veneer, with a PVC extrusion handle. Locks shall be randomly assigned or keyed per customer requests. The end panels shall be constructed of 14-gauge steel and have self-locking mounting tabs formed into the back edge. The shelf, back, and top shall be constructed from 18-gauge steel.

Venus® Overhead Cabinets

Overhead storage shall consist of overhead cabinet. Overhead storage shall attach to worksurface with two overhead support stanchions for 30", 36", 42", 48", 54", 60", 66" and 72" sizes.

Shelf dividers shall be powder-coated steel with installation and removal accomplished without the use of tools or fasteners.

Balance® overheads shall be 17" high and have 19-1/2" clearance between the worksurface and the bottom of shelf. The upper door shall be available in colored or translucent extruded rigid PVC with spatter-coat finish fabric, or laminate applied. The overall door thickness shall be 3/8". The lower door shall be an aluminum extrusion and be ergonomic in design. A center lock mechanism shall be utilized between the upper and the lower doors for security. The overhead doors shall be effortlessly operated from either a seated or standing position through use of the upper or lower door. The upper door and lower door shall be synchronized in motion through the use of two 10-gauge linkages. The doors shall be assisted with two extension springs and require less than 5 pounds of force to operate. The upper door shall open over the outside of the case.

Privacy Screens (WZP)

Two or three 1/8" cold rolled steel brackets, sandwiched between two 1/2" Korlite boards joined together with industrial adhesive. The screens attach to the back of the worksurface with fasteners. Steel splice plates are used to align adjoining screens. Privacy screen is 19-1/2" high above the worksurface.

Privacy Screens (WZPE)

WZPE privacy screens are constructed the same as the WZP screens. The WZPE are mounted to the end of the worksurface and perpendicular to the overheads. These screens are 1" shorter to accommodate the opening of the overhead door.

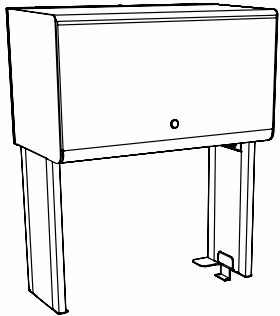
Key Options

There are various key options available depending on the component model. The key alike option (KA) allows multiple components of a workstation to be keyed alike. The lock number can be specified. The key standard option (KS) allows each component to have its own randomly selected key number shipped with the individual component. The no lock core option (NLC) provides more flexibility in keying workstations alike. All locks and keys

for the individual components specified with no lock core will be packaged separately from the components. The location of the lock core and corresponding numbered key will be determined upon installation.

Fabric

Fabric will be applied as swatched by the fabric manufacturer. Fabric that is required to be applied differently than is swatched will need a Special Cost Request written specifying the direction the fabric is to be applied. The posted standard lead time will apply to the Special Cost Request.



Universal Overhead Cabinet with Steel Door

- The Universal Overhead allows users the option to interchange from a FlexStation desk mount solution to an office panel system
- Steel end panels, bottom, top shelf, and door with powder-coated finish
- Single bit lock is included with key alike option
- Door stores recessed with handle exposed
- Shelf depth is 13-1/4"
- 66" overhead has one 30" door and one 36" door with a support offset 6" from the center of the worksurface
- 72" overhead has 36" doors and middle support upright
- For use with fixed height worksurfaces
- Concealed vertical wire management
- Secured to steel legs by concealed mounting brackets
- Accepts Shelf Divider (NSD)
Available in [Accessories Price List](#)
- Cannot be mounted on tables with casters or stand-up units
- 66" and 72" wide overhead are not available on FlexStation frames with beams
- End bracket design prevents accidental dislodging of components

W x H x D	Basic Model	Overhead Type	Paint Color	Insert Color	Key Option	Net Price
30" x 16-1/2" x 14-1/2"	WZUS30	OS	□□	□□□	KS	\$442
36" x 16-1/2" x 14-1/2"	WZUS36	□□□	□□	□□□	KS	\$460
42" x 16-1/2" x 14-1/2"	WZUS42	□□□	□□	□□□	KS	\$472
48" x 16-1/2" x 14-1/2"	WZUS48	□□□	□□	□□□	KS	\$485
54" x 16-1/2" x 14-1/2"	WZUS54	OS	□□	□□□	KS	\$545
60" x 16-1/2" x 14-1/2"	WZUS60	OS	□□	□□□	KS	\$565
66" x 16-1/2" x 14-1/2"	WZUS66	OS	□□	□□□	KS	\$809
72" x 16-1/2" x 14-1/2"	WZUS72	OS	□□	□□□	KS	\$827

- ① ② ③ ④ ⑤

HOW TO ORDER

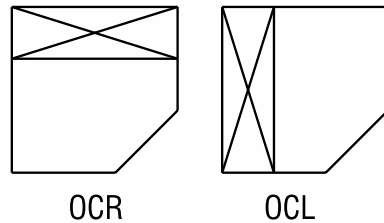
- Indicate the following information on the order form:
1. Quantity of each item.
 2. Model Number, including options.
(See "How to Build a Model Number.")
 3. Any special service required.

Note:
The □ indicates that a choice is required.

The absence of □ indicates that no choice is required
Alpha-Numeric characters in place of □ indicates that no other alternatives are available.

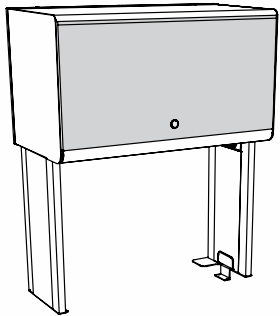
HOW TO BUILD A MODEL NUMBER

- 1 Select Basic Model
- 2 Select Overhead Type
OCL - Corner overhead left
OCR - Corner overhead right
OS - Overhead standard



- 3 Select Paint Color
Refer to [Finish Options](#).
- 4 Select Insert Color
Refer to [Finish Options](#).
- 5 Select Key Option
KS - Key standard

+



Universal Overhead Cabinet with Fabric Door

- The Universal Overhead allows users the option to interchange from a FlexStation desk mount solution to an office panel system
- Steel end panels, bottom, top shelf, and door with powder-coated finish
- Fabric-covered door
- Single bit lock is included with key alike option
- End panel bracket design prevents accidental dislodging of components
- Shelf depth is 13-1/4"
- Door stores recessed with handle exposed
- 66" overhead has one 30" door and one 36" door with a support offset 6" from the center of the worksurface
- 72" overhead has 36" doors and middle support upright
- For use with fixed height worksurfaces
- Concealed vertical wire management
- Secured to steel legs by concealed mounting brackets
- Accepts Shelf Divider (NSD)
Available in [Accessories Price List](#)
- Cannot be mounted on tables with casters
- 66" and 72" wide overhead are not available on FlexStation frames with beams

W x H x D	Basic Model	Overhead Type	Paint Color	Insert Color	Key Option	Net Price
30" x 16-1/2" x 14-1/2"	WZUF30	OS	<input type="checkbox"/>	<input type="checkbox"/>	KS	\$442
36" x 16-1/2" x 14-1/2"	WZUF36	<input type="checkbox"/>	<input type="checkbox"/>	<input type="checkbox"/>	KS	\$460
42" x 16-1/2" x 14-1/2"	WZUF42	<input type="checkbox"/>	<input type="checkbox"/>	<input type="checkbox"/>	KS	\$472
48" x 16-1/2" x 14-1/2"	WZUF48	<input type="checkbox"/>	<input type="checkbox"/>	<input type="checkbox"/>	KS	\$485
54" x 16-1/2" x 14-1/2"	WZUF54	OS	<input type="checkbox"/>	<input type="checkbox"/>	KS	\$545
60" x 16-1/2" x 14-1/2"	WZUF60	OS	<input type="checkbox"/>	<input type="checkbox"/>	KS	\$565
66" x 16-1/2" x 14-1/2"	WZUF66	OS	<input type="checkbox"/>	<input type="checkbox"/>	KS	\$809
72" x 16-1/2" x 14-1/2"	WZUF72	OS	<input type="checkbox"/>	<input type="checkbox"/>	KS	\$827

- ① ② ③ ④ ⑤

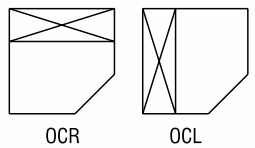
HOW TO ORDER

Indicate the following information on the order form:
 1. Quantity of each item.
 2. Model Number, including options.
 (See "How to Build a Model Number.")
 3. Any special service required.

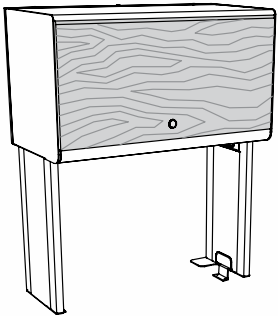
Note:
 The indicates that a choice is required.
 The absence of indicates that no choice is required
 Alpha-Numeric characters in place of indicates that no other alternatives are available.

HOW TO BUILD A MODEL NUMBER

- ① **Select Basic Model**
- ② **Select Overhead Type**
 OCL - Corner overhead left
 OCR - Corner overhead right
 OS - Overhead standard



- ③ **Select Paint Color**
 Refer to [Finish Options](#).
 - ④ **Select Insert Color**
 Refer to [Finish Options](#).
 - ⑤ **Select Key Option**
 KS - Key standard
- Select Fabric**
 Cards are available online and by request



Universal Overhead Cabinet with Laminate Door

- The Universal Overhead allows users the option to interchange from a FlexStation desk mount solution to an office panel system
- Steel end panels, bottom, top shelf, and door with powder-coated finish
- High-pressure laminate on particleboard door
- Single bit lock is included with key alike option
- End panel bracket design prevents accidental dislodging of components
- Shelf depth is 13-1/4"
- Door stores recessed with handle exposed
- 66" overhead has one 30" door and one 36" door with a support offset 6" from the center of the worksurface
- 72" overhead has 36" doors and middle support upright
- For use with fixed height worksurface
- Concealed vertical wire management
- Accepts Shelf Divider (NSD)
Available in [Accessories Price List](#)
- Secured to steel legs by concealed mounting brackets
- Cannot be mounted on tables with casters
- 66" and 72" wide overhead are not available on FlexStation frames with beams

W x H x D	Basic Model	Overhead Type	Paint Color	Insert Color	Laminate Color	Key Option	Net PRICE
30" x 16-1/2" x 14-1/2"	WZUL30	OS	□□	□□□	□□□	KS	\$500
36" x 16-1/2" x 14-1/2"	WZUL36	□□□	□□	□□□	□□□	KS	\$532
42" x 16-1/2" x 14-1/2"	WZUL42	□□□	□□	□□□	□□□	KS	\$543
48" x 16-1/2" x 14-1/2"	WZUL48	□□□	□□	□□□	□□□	KS	\$560
54" x 16-1/2" x 14-1/2"	WZUL54	OS	□□	□□□	□□□	KS	\$632
60" x 16-1/2" x 14-1/2"	WZUL60	OS	□□	□□□	□□□	KS	\$649
66" x 16-1/2" x 14-1/2"	WZUL66	OS	□□	□□□	□□□	KS	\$940
72" x 16-1/2" x 14-1/2"	WZUL72	OS	□□	□□□	□□□	KS	\$972

- 1 2 3 4 5 6

HOW TO ORDER

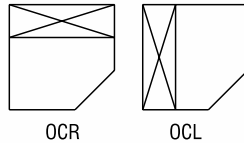
- Indicate the following information on the order form:
1. Quantity of each item.
 2. Model Number, including options.
(See "How to Build a Model Number.")
 3. Any special service required.

Note:
The □ indicates that a choice is required.

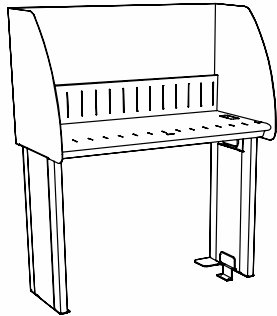
The absence of □ indicates that no choice is required
Alpha-Numeric characters in place of □ indicates that no other alternatives are available.

HOW TO BUILD A MODEL NUMBER

- 1 Select Basic Model
- 2 Select Overhead Type
OCL - Corner overhead left
OCR - Corner overhead right
OS - Overhead standard



- 3 Select Paint Color
Refer to [Finish Options](#).
- 4 Select Insert Color
Refer to [Finish Options](#).
- 5 Select Laminate Option
Refer to [Finish Options](#).
- 6 Select Key Option
KS - Key standard



Universal Shelf

- The Universal Shelf allows users the option to interchange from a FlexStation desk mount solution to an office panel system
- Powder-coated end panels and bottom shelf
- Accepts Shelf Divider (NSD)
Available in [Accessories Price List](#)
- End panel bracket design prevents accidental dislodging of components
- Shelf depth is 13-1/4"
- Concealed vertical wire management
- Secured to steel legs by concealed mounting brackets
- Field installable to compatible FlexStation surfaces
- 72" shelf has two 36" shelves supported by middle upright
- Cannot be mounted on tables with casters
- 66" Overhead has one 30" door and one 36" door with support offset 6" from the center of the worksurface.
- 66" and 72" wide overheads are not available on Flexstation frames with beams.

W x H x D	Basic Model	Overhead Type	Paint Color	Insert Color	Net Price
30" x 16-1/2" x13-1/4"	WUSS30	OS	<input type="checkbox"/>	<input type="checkbox"/>	\$320
36" x 16-1/2" x13-1/4"	WUSS36	<input type="checkbox"/>	<input type="checkbox"/>	<input type="checkbox"/>	\$329
42" x 16-1/2" x13-1/4"	WUSS42	<input type="checkbox"/>	<input type="checkbox"/>	<input type="checkbox"/>	\$338
48" x 16-1/2" x13-1/4"	WUSS48	<input type="checkbox"/>	<input type="checkbox"/>	<input type="checkbox"/>	\$347
54" x 16-1/2" x13-1/4"	WUSS54	OS	<input type="checkbox"/>	<input type="checkbox"/>	\$364
60" x 16-1/2" x13-1/4"	WUSS60	OS	<input type="checkbox"/>	<input type="checkbox"/>	\$373
66" x 16-1/2" x13-1/4"	WUSS66	OS	<input type="checkbox"/>	<input type="checkbox"/>	\$560
72" x 16-1/2" x13-1/4"	WUSS72	OS	<input type="checkbox"/>	<input type="checkbox"/>	\$577

- 1
- 2
- 3
- 4

HOW TO ORDER

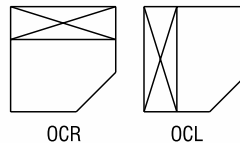
- Indicate the following information on the order form:
1. Quantity of each item.
 2. Model Number, including options.
(See "How to Build a Model Number.")
 3. Any special service required.

Note:
The indicates that a choice is required.

The absence of indicates that no choice is required
Alpha-Numeric characters in place of indicates that no other alternatives are available.

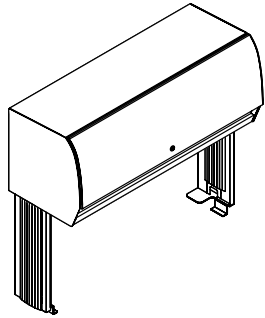
HOW TO BUILD A MODEL NUMBER

- 1 Select Basic Model
- 2 Select Overhead Type
OCL - Corner overhead left
OCR - Corner overhead right
OS - Overhead standard



- 3 Select Paint Color
Refer to [Finish Options](#).
- 4 Select Insert Color
Refer to [Finish Options](#).

+



Venus Overhead Cabinet with Solid Color Door

- Stanchions and mounting brackets included
- Colored or translucent extruded PVC door
- Painted cabinet and lower door
- Accepts Shelf Divider (NSD)
- Available in [Accessories Price List](#)
- Cabinet is fully assembled
- Door stores above top of cabinet
- 66" and 72" wide overhead are not available of Flexstation frames with beams

Feature	Width	Basic Model	Assembly	Overhead Type	Cabinet Paint Color	Upper Door Color	Key Option	Net Price
30" single door	30"	VNOS30FS	□□□□	OS	□□	□□□	KS	\$529
36" single door	36"	VNOS36FS	□□□□	□□□	□□	□□□	KS	\$539
42" single door	42"	VNOS42FS	□□□□	□□□	□□	□□□	KS	\$557
48" single door	48"	VNOS48FS	□□□□	□□□	□□	□□□	KS	\$582
Two 27" doors	54"	VNOS54FS	□□□□	OS	□□	□□□	KS	\$626
Two 30" doors	60"	VNOS60FS	□□□□	OS	□□	□□□	KS	\$677
Two doors 30" and 36"	66"	VNOS66DFS	□□□□	OS	□□	□□□	KS	\$932
Two 36" doors	72"	VNOS72DFS	□□□□	OS	□□	□□□	KS	\$957

- 1 2 3 4 5 6

HOW TO ORDER

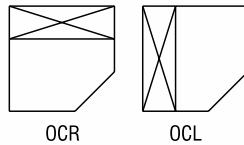
- Indicate the following information on the order form:
1. Quantity of each item.
 2. Model Number, including options.
(See "How to Build a Model Number.")
 3. Any special service required.

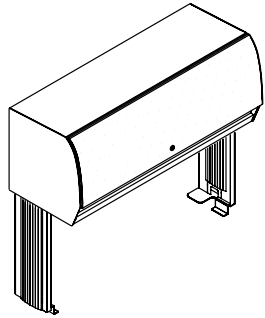
Note:
The □ indicates that a choice is required.

The absence of □ indicates that no choice is required
Alpha-Numeric characters in place of □ indicates that no other alternatives are available.

HOW TO BUILD A MODEL NUMBER

- 1 Select Basic Model
- 2 Select Assembly Option
KDI - Knock down
VNOS - Assembled
- 3 Select Overhead Type
OCL - Corner overhead left
OCR - Corner overhead right
OS - Overhead standard
- 4 Select Cabinet Paint Color
Refer to [Finish Options](#).
- 5 Select Upper Door Color
Refer to [Finish Options](#).
- 6 Select Key Option
KS - Key standard





Venus Overhead Cabinet with Laminate Upper Door

- Stanchions and mounting brackets included
- Laminate covered upper door
- Painted cabinet and lower door
- Accepts Shelf Divider (NSD)
- Available in [Accessories Price List](#)
- Cabinet is fully assembled
- Door stores above top of cabinet
- 66" and 72" wide overheads are not available on Flexstation frames with beams

Feature	Width	Basic Model	Overhead Type	Cabinet Paint Color	Upper Door Color	Key Option	Net Price
30" single door	30"	VNOL30FS	OS	□□	□□□	KS	\$577
36" single door	36"	VNOL36FS	□□□	□□	□□□	KS	\$593
42" single door	42"	VNOL42FS	□□□	□□	□□□	KS	\$611
48" single door	48"	VNOL48FS	□□□	□□	□□□	KS	\$643
Two 27" doors	54"	VNOL54FS	OS	□□	□□□	KS	\$735
Two 30" doors	60"	VNOL60FS	OS	□□	□□□	KS	\$852
Two doors 30" and 36"	66"	VNOL66DFS	OS	□□	□□□	KS	\$1,029
Two 36" doors	72"	VNOL72DFS	OS	□□	□□□	KS	\$1,061

- ① ② ③ ④ ⑤

HOW TO ORDER

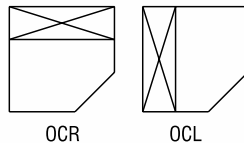
- Indicate the following information on the order form:
1. Quantity of each item.
 2. Model Number, including options.
(See "How to Build a Model Number.")
 3. Any special service required.

Note:
The □ indicates that a choice is required.

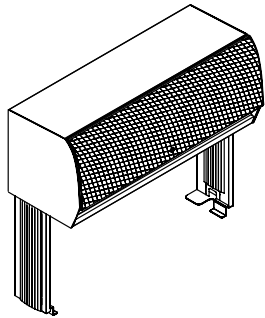
The absence of □ indicates that no choice is required
Alpha-Numeric characters in place of □ indicates that no other alternatives are available.

HOW TO BUILD A MODEL NUMBER

- 1 Select Basic Model
- 2 Select Overhead Type
OCL - Corner overhead left
OCR - Corner overhead right
OS - Overhead standard



- 3 Select Cabinet Paint Color
Refer to [Finish Options](#).
- 4 Select Laminate Color
Refer to [Finish Options](#).
- 5 Select Key Option
KS - Key standard



Venus Overhead Cabinet with Fabric Upper Door

- Stanchions and mounting brackets included
- Fabric covered upper door
- Painted cabinet and lower door
- Accepts Shelf Divider (NSD)
- Available in [Accessories Price List](#)
- Cabinet is fully assembled
- Door stores above top of cabinet
- 66" and 72" wide overheads are not available on Flexstation frames with beams

Feature	Width	Basic Model	Overhead Type	Cabinet Paint Color	Upper Door Color	Key Option	Net Price
30" single door	30"	VNOF30FS	OS	□□	KS	□□□	\$688
36" single door	36"	VNOF36FS	□□□	□□	KS	□□□	\$595
42" single door	42"	VNOF42FS	□□□	□□	KS	□□□	\$612
48" single door	48"	VNOF48FS	□□□	□□	KS	□□□	\$642
Two 27" doors	54"	VNOF54FS	OS	□□	KS	□□□	\$688
Two 30" doors	60"	VNOF60FS	OS	□□	KS	□□□	\$744
Two doors 30" and 36"	66"	VNOF66DFS	OS	□□	KS	□□□	\$964
Two 36" doors	72"	VNOF72DFS	OS	□□	KS	□□□	\$989

- 1
- 2
- 3
- 4
- 5

HOW TO ORDER

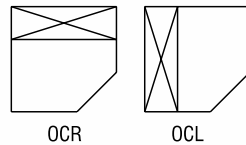
- Indicate the following information on the order form:
1. Quantity of each item.
 2. Model Number, including options.
(See "How to Build a Model Number.")
 3. Any special service required.

Note:
The □ indicates that a choice is required.

The absence of □ indicates that no choice is required
Alpha-Numeric characters in place of □ indicates that no other alternatives are available.

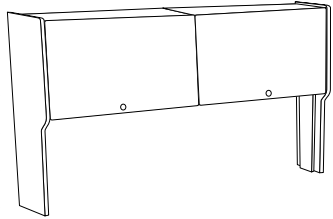
HOW TO BUILD A MODEL NUMBER

- 1 Select Basic Model
- 2 Select Overhead Type
 OCL - Corner overhead left
 OCR - Corner overhead right
 OS - Overhead standard



- 3 Select Cabinet Paint Color
Refer to [Finish Options](#).
- 4 Select Upper Door Fabric
Cards are available online and by request
- 5 Select Key Option
KS - Key standard





Overhead Cabinet

- Solid core construction with plastic laminate
- Enamel finish on metal parts
- Cabinet doors have laminated or upholstered surface with flat vinyl edge
- Concealed vertical wire management
- Secured to steel legs by concealed mounting brackets
- Field installable to compatible FlexStation worksurfaces
- Key-different (standard) or key-alike (optional) to match other overheads and/or pedestals (Specify which items need to be key-alike on order.)
- For use with fixed height workstations only
- Overhead allows for 18-1/2" clearance above worksurface
- Overall height is 34-1/4"
- Cannot be mounted on tables with casters
- Select size of overhead. Length of overhead must be identical to length of worksurface
- 54", 60", 66", and 72" overheads consist of two doors

Cabinet Door	W x H x D	Basic Model	Trim Color	Laminate Color	Key Option	Net Price
Laminate Door	30" x 16-1/2" x 14-1/2"	WOC30	□□	□□□	KS	\$512
Laminate Door	36" x 16-1/2" x 14-1/2"	WOC36	□□	□□□	KS	\$531
Laminate Door	42" x 16-1/2" x 14-1/2"	WOC42	□□	□□□	KS	\$565
Laminate Door	48" x 16-1/2" x 14-1/2"	WOC48	□□	□□□	KS	\$587
Laminate Door	54" x 16-1/2" x 14-1/2"	WOC54	□□	□□□	KS	\$734
Laminate Door	60" x 16-1/2" x 14-1/2"	WOC60	□□	□□□	KS	\$717
Laminate Door	66" x 16-1/2" x 14-1/2"	WOC66	□□	□□□	KS	\$752
Laminate Door	72" x 16-1/2" x 14-1/2"	WOC72	□□	□□□	KS	\$779
Upholstered Door	30" x 16-1/2" x 14-1/2"	WOC30-F	□□	□□□	KS	\$557
Upholstered Door	36" x 16-1/2" x 14-1/2"	WOC36-F	□□	□□□	KS	\$578
Upholstered Door	42" x 16-1/2" x 14-1/2"	WOC42-F	□□	□□□	KS	\$602
Upholstered Door	48" x 16-1/2" x 14-1/2"	WOC48-F	□□	□□□	KS	\$614
Upholstered Door	54" x 16-1/2" x 14-1/2"	WOC54-F	□□	□□□	KS	\$760
Upholstered Door	60" x 16-1/2" x 14-1/2"	WOC60-F	□□	□□□	KS	\$783
Upholstered Door	66" x 16-1/2" x 14-1/2"	WOC66-F	□□	□□□	KS	\$818
Upholstered Door	72" x 16-1/2" x 14-1/2"	WOC72-F	□□	□□□	KS	\$845

1 2 3 4

HOW TO ORDER

- Indicate the following information on the order form:
1. Quantity of each item.
 2. Model Number, including options.
(See "How to Build a Model Number.")
 3. Any special service required.

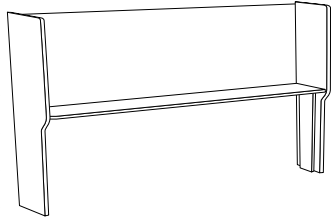
Note:
The □ indicates that a choice is required.

The absence of □ indicates that no choice is required
Alpha-Numeric characters in place of □ indicates that no other alternatives are available.

HOW TO BUILD A MODEL NUMBER

- 1 **Select Basic Model**
- 2 **Select Trim Color for Painted Surfaces**
Refer to [Finish Options](#).
- 3 **Select Laminate Color**
Refer to [Finish Options](#).
Trim color selection includes paint and upright insert (plastic component) colors. All colors are monochromatic except CF, CM, EX, MZ, and SX. For the exceptions, the plastic components for CF and CM paint are LG, EX paint receives BL plastic, MZ paint receives SA plastic and SX paint receives WG plastic.
- 4 **Select Key Option**
KS - Key standard

+



Open Shelf

- Solid core construction with plastic laminate
- Enamel finish on metal parts
- Concealed vertical wire management
- Secured to steel legs by concealed mounting brackets
- Field installable to compatible FlexStation worksurfaces
- For use with fixed height workstations only
- Overhead allows for 18-1/2" clearance above worksurface
- Overall height is 34-1/4"
- Cannot be mounted on tables with casters
- Select size of overhead. Length of overhead must be identical to length of worksurface

W x H x D	Basic Model	Laminate Color	Trim Color	Key Option	Net Price
30" x 16-1/2" x 14-1/2"	WOS30	□□	□□□	KS	\$293
36" x 16-1/2" x 14-1/2"	WOS36	□□	□□□	KS	\$300
42" x 16-1/2" x 14-1/2"	WOS42	□□	□□□	KS	\$304
48" x 16-1/2" x 14-1/2"	WOS48	□□	□□□	KS	\$315
54" x 16-1/2" x 14-1/2"	WOS54	□□	□□□	KS	\$319
60" x 16-1/2" x 14-1/2"	WOS60	□□	□□□	KS	\$323
72" x 16-1/2" x 14-1/2"	WOS72	□□	□□□	KS	\$330

- 1
- 2
- 3
- 4

HOW TO ORDER

- Indicate the following information on the order form:
1. Quantity of each item.
 2. Model Number, including options.
(See "How to Build a Model Number.")
 3. Any special service required.

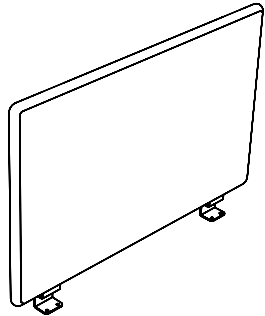
Note:
The □ indicates that a choice is required.

The absence of □ indicates that no choice is required
Alpha-Numeric characters in place of □ indicates that no other alternatives are available.

HOW TO BUILD A MODEL NUMBER

- 1 Select Basic Model**
- 2 Select Laminate Color**
Refer to [Finish Options](#).
- 3 Select Trim Color for Painted Surfaces**
Refer to [Finish Options](#).
Trim color selection includes paint and upright insert (plastic component) colors. All colors are monochromatic except CF, CM, EX, MZ, and SX. For the exceptions, the plastic components for CF and CM paint are LG, EX paint receives BL plastic, MZ paint receives SA plastic and SX paint receives WG plastic.
- 4 Select Key Option**
KS - Key standard





Basic Privacy Screen

- 1" thick screen upholstered with tackable fabric
- Painted steel mounting brackets
- Screens available for all worksurfaces and transitional surfaces
- Field installable
- Provides seated privacy
- WZP60 has two 30" privacy screens with connector
- WZP66 has a 30" and 36" privacy screen with connector
- WZP72 has two 36" privacy screens with connector
- Provides 3/4" space between screen and worksurface for cables
- Available with manual height adjustable surfaces

Feature	W x H	Basic Model	Trim Color	Fabric Color	Net Price
Basic	24" x 19"	WZP24	□□	□□□	\$113
Basic	30" x 19"	WZP30	□□	□□□	\$124
Basic	36" x 19"	WZP36	□□	□□□	\$141
Basic	42" x 19"	WZP42	□□	□□□	\$170
Basic	48" x 19"	WZP48	□□	□□□	\$182
Basic	54" x 19"	WZP54	□□	□□□	\$206
Basic	60" x 19"	WZP60	□□	□□□	\$248
Basic	66" x 19"	WZP66	□□	□□□	\$269
Basic	72" x 19"	WZP72	□□	□□□	\$276

1

2

3

HOW TO ORDER

Indicate the following information on the order form:

1. Quantity of each item.
2. Model Number, including options.
(See "How to Build a Model Number.")
3. Any special service required.

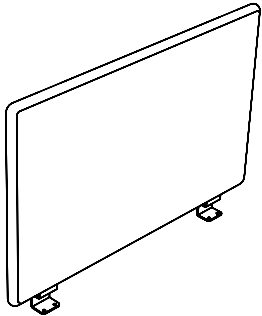
Note:
The □ indicates that a choice is required.

The absence of □ indicates that no choice is required
Alpha-Numeric characters in place of □ indicates that no other alternatives are available.

HOW TO BUILD A MODEL NUMBER

+

- 1 **Select Basic Model**
- 2 **Select Trim Color**
Refer to [Finish Options](#).
- 3 **Select Fabric color**
Cards are available online and by request.



Transitional Privacy Screen

- 1" thick screen upholstered with tackable fabric
- Painted steel mounting brackets
- Screens available for all worksurfaces and transitional surfaces
- Field installable
- Provides seated privacy
- WZP60 has two 30" privacy screens with connector
- WZP66 has a 30" and 36" privacy screen with connector
- WZP72 has two 36" privacy screens with connector
- Provides 3/4" space between screen and worksurface for cables
- Available with manual height adjustable surfaces
- Corner (square and rectangle) screens come as a set with splice plates

Feature	W x H	Basic Model	Trim Color	Fabric Color	Net Price
Rectangle (2 Screens)	30" x 19"	WZPR3024	<input type="checkbox"/>	<input type="checkbox"/>	\$226
Square (2 Screens)	24" x 19"	WZPS2424	<input type="checkbox"/>	<input type="checkbox"/>	\$223
Square (2 Screens)	30" x 19"	WZPS3030	<input type="checkbox"/>	<input type="checkbox"/>	\$234
Triangle (1 Screen)	30" x 19"	WZPT3030	<input type="checkbox"/>	<input type="checkbox"/>	\$157

1

2

3

HOW TO ORDER

- Indicate the following information on the order form:
1. Quantity of each item.
 2. Model Number, including options.
(See "How to Build a Model Number.")
 3. Any special service required.

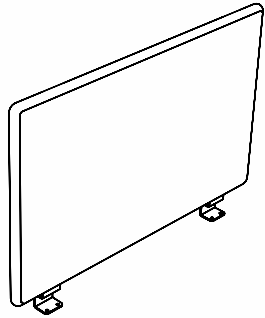
Note:
The indicates that a choice is required.

The absence of indicates that no choice is required
Alpha-Numeric characters in place of indicates that no other alternatives are available.

HOW TO BUILD A MODEL NUMBER

- 1 **Select Basic Model**
- 2 **Select Trim Color**
Refer to [Finish Options](#).
- 3 **Select Fabric color**
Cards are available online and by request.

+



Corner Privacy Screen

- 1" thick screen upholstered with tackable fabric
- Painted steel mounting brackets
- Screens available for all worksurfaces and transitional surfaces
- Field installable
- Provides seated privacy
- Provides 3/4" space between screen and worksurface for cables
- Square and rectangle screens come as a set with splice plates
- To be used with transitional and stand alone corner worksurfaces

Feature	W x H	Basic Model	Trim Color	Fabric Color	Net Price
Corner (2 screens)	36" x 19"	WZPC2436	□□	□□□	\$282
Corner (2 screens)	42" x 19"	WZPC2442	□□	□□□	\$322
Corner (2 screens)	48" x 19"	WZPC3048	□□	□□□	\$360

1 2 3

HOW TO ORDER

- Indicate the following information on the order form:
1. Quantity of each item.
 2. Model Number, including options.
(See "How to Build a Model Number.")
 3. Any special service required.

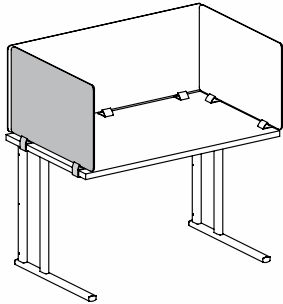
Note:
The □ indicates that a choice is required.

The absence of □ indicates that no choice is required
Alpha-Numeric characters in place of □ indicates that no other alternatives are available.

HOW TO BUILD A MODEL NUMBER

- 1 **Select Basic Model**
- 2 **Select Trim Color**
Refer to [Finish Options](#).
- 3 **Select Fabric color**
Cards are available online and by request.





Basic Side Privacy Screen with Steel Brackets

- 1" thick screen upholstered with tackable fabric
- Painted steel mounting brackets
- End screens with steel brackets available for worksurfaces with or without grommets
- Field installable
- Provides seated privacy
- Provides 3/4" space between screen and worksurface for cables
- Spans from the front edge of worksurface to the front of the back privacy screen

Feature	W x H	Basic Model	Trim Color	Fabric Color	Net Price
Basic	23" x 19"	WZPE24	□□	□□□	\$80
Basic	29" x 19"	WZPE30	□□	□□□	\$93

① ② ③

HOW TO ORDER

- Indicate the following information on the order form:
1. Quantity of each item.
 2. Model Number, including options.
(See "How to Build a Model Number.")
 3. Any special service required.

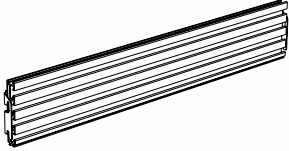
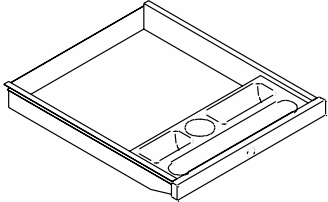
Note:
The □ indicates that a choice is required.

The absence of □ indicates that no choice is required
Alpha-Numeric characters in place of □ indicates that no other alternatives are available.

HOW TO BUILD A MODEL NUMBER

- ① **Select Basic Model**
- ② **Select Trim Color**
Refer to [Finish Options](#).
- ③ **Select Fabric color**
Cards are available online and by request.

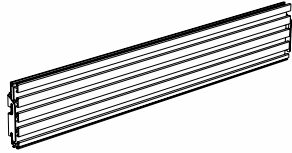
+

		
Features	Tool Rail (PMTR)	Center Drawer (3CMN)
Painted aluminum	•	
Plastic construction		•
Field installable	•	•

SPECIFICATIONS

Tool Rail

Aluminum extrusion tool rail, powder-coated finish. Attaches between overhead uprights. Consists of four slots to accept paper management components. To be used on WZUS, WZUF, WZUL, WUSS, BLCS, BLCL and BLCF models.



Tool Rail

- Accommodates paper management components
- Attaches between overhead uprights.
- To be used on WZUS, WZUL, WZUF, WUSS, WOC, WOC-F, WOS, VNOS, VNOL and VNOF models
- Field installable
- Painted aluminum construction
- 66" rail consists of one 30" and one 36" rail with middle support
- 72" rail consists of two 36" rails with middle support
- Consists of four slots to accept components
- PMTR66LAM and PMTR72LAM are required (one rail) on WOC66 & 72, WOC-F66 & 72, and WOS66 & 72 overheads
- Tool Rail accessories are found in the [Accessories Price List](#)

Feature	H x W	Basic Model	Trim Color	Net Price
Basic	4-1/2" x 30"	PMTR30	<input type="checkbox"/>	\$58
Basic	4-1/2" x 36"	PMTR36	<input type="checkbox"/>	\$61
Basic	4-1/2" x 42"	PMTR42	<input type="checkbox"/>	\$68
Basic	4-1/2" x 48"	PMTR48	<input type="checkbox"/>	\$72
Basic	4-1/2" x 54"	PMTR54	<input type="checkbox"/>	\$77
Basic	4-1/2" x 60"	PMTR60	<input type="checkbox"/>	\$102
Basic	4-1/2" x 66"	PMTR66	<input type="checkbox"/>	\$105
Basic	4-1/2" x 72"	PMTR72	<input type="checkbox"/>	\$107
Basic	4-1/2" x 66"	PMTR66LAM	<input type="checkbox"/>	\$105
Basic	4-1/2" x 72"	PMTR72LAM	<input type="checkbox"/>	\$107
Workstation Height Change Connectors		87-4624	<input type="checkbox"/>	\$9
• Attaches two non-transitional worksurfaces of different heights				

①

②

HOW TO ORDER

Indicate the following information on the order form:

1. Quantity of each item.
2. Model Number, including options.
(See "How to Build a Model Number.")
3. Any special service required.

Note:

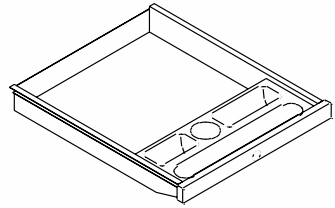
The indicates that a choice is required.

The absence of indicates that no choice is required
Alpha-Numeric characters in place of indicates that no other alternatives are available.

HOW TO BUILD A MODEL NUMBER

+

- ① **Select Basic Model**
- ② **Select Trim Color**
Refer to [Finish Options](#)



Center Drawer

- Molded plastic compartment tray

H x W x D	Basic Model	Trim Color	Key Option	Net Price
18" x 18" x 2-3/4"	3CMN	□□	KS	\$58

①

②

③

HOW TO ORDER

Indicate the following information on the order form:

1. Quantity of each item.
2. Model Number, including options.
(See "How to Build a Model Number.")
3. Any special service required.

Note:

The □ indicates that a choice is required.

The absence of □ indicates that no choice is required
Alpha-Numeric characters in place of □ indicates that
no other alternatives are available.

HOW TO BUILD A MODEL NUMBER

+

- ① **Select Basic Model**
- ② **Select Trim Color**
Refer to [Finish Options](#).
- ③ **Select Key Option**
KS - Key Standard

SPECIFICATIONS

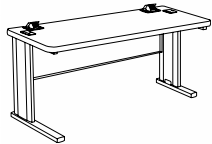
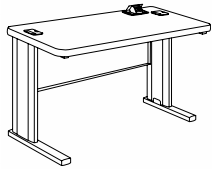
UL Listed

The FlexStation with Power System is

listed to applicable UL standards and requirements by Underwriters Laboratories, Inc.

Two of the standards used to evaluate FlexStation are UL/286 Office Furnishings and UL/723 Standard for Test for Surface Burning Characteristics of Building Materials.

The standard used to evaluate Power is UL 1363 Relocatable Power Taps.



FlexStation with Power Worksurface

D x W	Basic Model	Edge Style	Power Up Mod	Height	Wire Trough	Elec. Option	Frame Style	Trans. Legs	Worksurface Grommet	Paint Color	Insert Color	Laminate Color	Edge Color	Grommet Color	Power Up Mod Color	Net Price	UPCHARGES	
																	WT	T6
24" x 30"	WBWD2430	□□□	□□	□	□□	□□	□□	□□	□□□	□□	□□□	□□□	□□□	□□□	□□□	\$317	\$55	\$51
24" x 36"	WBWD2436	□□□	□□	□	□□	□□	□□	□□	□□□	□□	□□□	□□□	□□□	□□□	□□□	\$327	\$59	\$53
24" x 42"	WBWD2442	□□□	□□	□	□□	□□	□□	□□	□□□	□□	□□□	□□□	□□□	□□□	□□□	\$337	\$62	\$56
24" x 48"	WBWD2448	□□□	□□	□	□□	□□	□□	□□	□□□	□□	□□□	□□□	□□□	□□□	□□□	\$347	\$79	\$46
24" x 54"	WBWD2454	□□□	□□	□	□□	□□	□□	□□	□□□	□□	□□□	□□□	□□□	□□□	□□□	\$358	\$94	\$42
30" x 30"	WBWD3030	□□□	□□	□	□□	□□	□□	□□	□□□	□□	□□□	□□□	□□□	□□□	□□□	\$332	\$55	\$51
30" x 36"	WBWD3036	□□□	□□	□	□□	□□	□□	□□	□□□	□□	□□□	□□□	□□□	□□□	□□□	\$342	\$59	\$53
30" x 42"	WBWD3042	□□□	□□	□	□□	□□	□□	□□	□□□	□□	□□□	□□□	□□□	□□□	□□□	\$352	\$62	\$56
30" x 48"	WBWD3048	□□□	□□	□	□□	□□	□□	□□	□□□	□□	□□□	□□□	□□□	□□□	□□□	\$362	\$79	\$46
30" x 54"	WBWD3054	□□□	□□	□	□□	□□	□□	□□	□□□	□□	□□□	□□□	□□□	□□□	□□□	\$380	\$94	\$42
24" x 60"	WBWD2460	□□□	□□	□	□□	□□	□□	□□	□□□	□□	□□□	□□□	□□□	□□□	□□□	\$368	\$96	\$129
24" x 66"	WBWD2466	□□□	□□	□	□□	□□	□□	□□	□□□	□□	□□□	□□□	□□□	□□□	□□□	\$392	\$104	\$131
24" x 72"	WBWD2472	□□□	□□	□	□□	□□	□□	□□	□□□	□□	□□□	□□□	□□□	□□□	□□□	\$395	\$114	\$127
30" x 60"	WBWD3060	□□□	□□	□	□□	□□	□□	□□	□□□	□□	□□□	□□□	□□□	□□□	□□□	\$399	\$96	\$129
30" x 66"	WBWD3066	□□□	□□	□	□□	□□	□□	□□	□□□	□□	□□□	□□□	□□□	□□□	□□□	\$416	\$104	\$131
30" x 72"	WBWD3072	□□□	□□	□	□□	□□	□□	□□	□□□	□□	□□□	□□□	□□□	□□□	□□□	\$418	\$110	\$127

- 1
- 2
- 3
- 4
- 5
- 6
- 7
- 8
- 9
- 10
- 11
- 12
- 13
- 14
- 15

HOW TO ORDER

Indicate the following information on the order form:

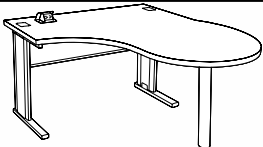
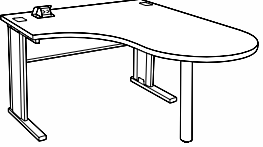
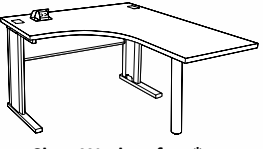
1. Quantity of each item.
2. Model Number, including options.
(See "How to Build a Model Number.")
3. Any special service required.

Note:
The □ indicates that a choice is required.

The absence of □ indicates that no choice is required
Alpha-Numeric characters in place of □ indicates that no other alternatives are available.

HOW TO BUILD A MODEL NUMBER

- 1 Select Basic Model**
- 2 Select Edge Style**
BN - Flat vinyl T-edge
74P - 74P edge
- 3 Select PowerUp® Module Location**
PUN - No module
PUL - Left module; add \$61
PUR - Right module; add \$61
PUC - Center module; add \$61 (Not available on 66" or 72" basic FlexStation worksurfaces)
PUB - Both left and right module; add \$122 (Only available on 60", 66", and 72" wide worksurfaces)
- 4 Select Height**
7 - 27" high
9 - 29" high
- 5 Select Wire Trough (Available in Black Only)**
NT - No wire trough
WT - Wire trough Add WT Upcharge
- 6 Select Electrical Option**
NP - No power
T6 - T6 power
(Receptacles, jumpers, and infeeds are to be specified separately) Add T6 Upcharge per side
- 7 Select Frame Style**
WB - w/Beam
WM - w/Modesty panel
WF - w/Full modesty panel
(available on 29" high only) Add \$40 per side
- 8 Select Location and Type of Leg**
TS - Standard legs
TL - Transition leg (left)
TR - Transition leg (right)
TB - Transition leg (both)
- 9 Select Worksurface Grommet Option**
OGN - No worksurface grommet
OGY - Yes worksurface grommet
Grommets are required for overhead cabinet. Grommets can be used for wire pass-through.
- 10 Select Paint Color**
Refer to [Finish Options](#).
- 11 Select Insert Color**
Refer to [Finish Options](#). Insert color also includes horizontal wireway (WW) if selected.
- 12 Select Laminate Surface**
Refer to [Finish Options](#).
- 13 Select Edge Color**
Refer to [Finish Options](#). Edge color offerings are based on edge style selections.
- 14 Select Grommet Color**
Refer to [Finish Options](#).
- 15 Select PowerUp module color**
Refer to [Finish Options](#).

	D x W x L	Basic Model	Edge Style	Dir.	Power Up Mod	Ht.	Wire Trough	Elec. Opt.	Frame Style	Trans. Legs	Work surface Grommet	Paint Color	Insert Color	Laminate Color	Edge Color	Grommet Color	Power Up Mod Color	Net Price
	24"x48"x60"	WZPTD244860	□□□	□	□□	9	□□	□□	□□	□□	□□□	□□	□□□	□□□	□□□	□□□	□□□	\$791
	24"x48"x72"	WZPTD244872	□□□	□	□□	9	□□	□□	□□	□□	□□□	□□	□□□	□□□	□□□	□□□	□□□	\$805
	30"x48"x72"	WZPTD304872	□□□	□	□□	9	□□	□□	□□	□□	□□□	□□	□□□	□□□	□□□	□□□	□□□	\$829
"P" Shaped Peninsula Worksurface*																		
• Guest modesty panel (WZMP) may be ordered																		
	24"x48"x60"	WZPPD244860	□□□	□	□□	9	□□	□□	□□	□□	□□□	□□	□□□	□□□	□□□	□□□	□□□	\$735
	24"x48"x72"	WZPPD244872	□□□	□	□□	9	□□	□□	□□	□□	□□□	□□	□□□	□□□	□□□	□□□	□□□	\$806
	30"x48"x72"	WZPPD304872	□□□	□	□□	9	□□	□□	□□	□□	□□□	□□	□□□	□□□	□□□	□□□	□□□	\$849
Piano Peninsula Worksurface*																		
• Guest modesty panel (WZMP) may be ordered																		
	24"x48"x60"	WZSSD244860	□□□	□	□□	9	□□	□□	□□	□□	□□□	□□	□□□	□□□	□□□	□□□	□□□	\$749
	24"x48"x66"	WZSSD244866	□□□	□	□□	9	□□	□□	□□	□□	□□□	□□	□□□	□□□	□□□	□□□	□□□	\$767
	24"x48"x72"	WZSSD244872	□□□	□	□□	9	□□	□□	□□	□□	□□□	□□	□□□	□□□	□□□	□□□	□□□	\$776
	24"x48"x84"	WZSSD244884	□□□	□	□□	9	□□	□□	□□	□□	□□□	□□	□□□	□□□	□□□	□□□	□□□	\$875
	30"x48"x66"	WZSSD304866	□□□	□	□□	9	□□	□□	□□	□□	□□□	□□	□□□	□□□	□□□	□□□	□□□	\$779
Square Shoe Worksurface*																		
• Guest modesty panel (WZMP) may be ordered																		
*(right side shown on all models)																		

- 1
- 2
- 3
- 4
- 5
- 6
- 7
- 8
- 9
- 10
- 11
- 12
- 13
- 14
- 15
- 16

HOW TO ORDER

Indicate the following information on the order form:

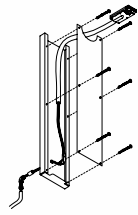
1. Quantity of each item.
2. Model Number, including options.
(See "How to Build a Model Number.")
3. Any special service required.

Note:
The □ indicates that a choice is required.

The absence of □ indicates that no choice is required
Alpha-Numeric characters in place of □ indicates that no other alternatives are available.

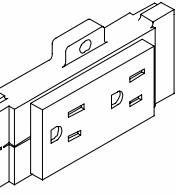
HOW TO BUILD A MODEL NUMBER

- 1 Select Basic Model**
- 2 Select Edge Style**
BN - Flat vinyl T-edge
74P - 74P edge
- 3 Select Surface Direction**
L - Left
R - Right
- 4 Select PowerUp® Module Location**
PUN - No module
PUL - Left module; Add \$61
PUR - Right module; Add \$61
PUC - Center module; Add \$61
- 5 Select Height**
9 - 29" high
- 6 Select Wire Trough (Available in Black Only)**
NT - No wire trough
WT - Wire trough Add \$102
- 7 Select Electrical Option**
NP - No power
T6 - T6 power Add \$60
- 8 Select Frame Style**
WB - w/Beam
WM - w/Modesty panel
WF - w/Full modesty panel
(available on 29" high only) Add \$40
- 9 Select Location and Type of Leg**
TS - Standard legs
TL - Transition leg (left)
TR - Transition leg (right)
TB - Transition leg (both)
- 10 Select Worksurface Grommet Option**
OGN - No worksurface grommet
OGY - Yes worksurface grommet
Grommets are required for overhead cabinet.
Grommets can be used for wire pass-through.
- 11 Select Paint Color**
Refer to [Finish Options](#).
- 12 Select Insert Color**
Refer to [Finish Options](#). Insert color also includes horizontal wireway (WW) if selected.
- 13 Select Laminate Surface**
Refer to [Finish Options](#).
- 14 Select Edge Color**
Refer to [Finish Options](#). Edge color offerings are based on edge style selections.
- 15 Select Grommet Color**
Refer to [Finish Options](#).
- 16 Select PowerUp module color**
Refer to [Finish Options](#).



Floor Infeed (6-Circuit Pre-wired) 6-2-2

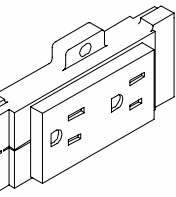
- Provides power from fixed floor or wall source to table distribution system
- Select Height to match leg height. Example: 27", 29", or 42"
- Infeed distributes power in one direction only. Specify two infeeds for middle of row applications so power travels in both directions
- Electrical does not support back-to-back layouts



Duplex Receptacle — 10-Wire System

6-2-2

- Convenience circuits share a neutral and ground wire
- The 1, 2 or 3 in the basic model number denotes the circuit
- Black only



Isolated Receptacle — 10-Wire System

6-2-2

- Dedicated circuit has its own neutral and ground wire
- Orange only

	Basic Model	Trim Color	Net Price
	WZ-T6PI-27	□□	\$154
	WZ-T6PI-29	□□	\$157
	WZ-T6PI-42	□□	\$166
	WZ-T6RECP-1		\$9
	WZ-T6RECP-2		\$9
	WZ-T6RECP-3		\$9
	WZ-T6RECP-4I		\$9
	WZ-T6RECP-5I		\$9
	WZ-T6RECP-6I		\$9

①

②

HOW TO ORDER

Indicate the following information on the order form:

1. Quantity of each item.
2. Model Number, including options.
(See "How to Build a Model Number.")
3. Any special service required.

Note:

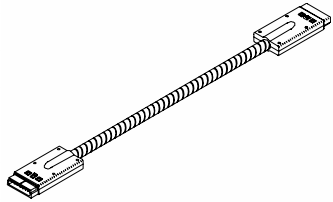
The □ indicates that a choice is required.

The absence of □ indicates that no choice is required
Alpha-Numeric characters in place of □ indicates that no other alternatives are available.

HOW TO BUILD A MODEL NUMBER

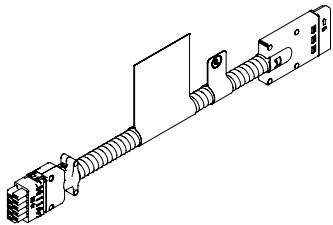
- ① **Select Basic Model**
- ② **Select Trim Color**
Refer to [Finish Options](#).

+



10-Wire Table-to-Table Connector 6-2-2

- Connects the 10-wire power system of two adjoining tables
- 17-3/4" long
- Includes steel wireway and splice plate
- Black only



8-Wire to 10-Wire Adaptor

- 30" long

Basic Model	Net Price
WZ-T6SC18	\$54
47-0568-30	\$47

1

HOW TO ORDER

- Indicate the following information on the order form:
1. Quantity of each item.
 2. Model Number, including options.
(See "How to Build a Model Number.")
 3. Any special service required.

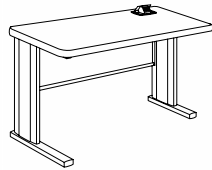
Note:
The indicates that a choice is required.

The absence of indicates that no choice is required
Alpha-Numeric characters in place of indicates that no other alternatives are available.

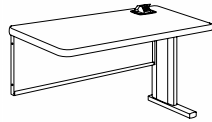
HOW TO BUILD A MODEL NUMBER

1 Select Basic Model

+



24" Starter



24" Adder

D x W	Basic Model	Edge Style	PowerUp Mod.	Wire Trough	Elec. Option	Frame Style	Work surface Grommet	Paint Color	Insert Color	Laminate Color	Edge Color	Grommet Color	PowerUp Mod. Color	Net Price	UPCHARGES	
															WT	T6
24" x 30"	WBSL2430S	74P	□	□□	□□	□□	□□□	□□	□□□	□□□	□□□	□□□	□□	\$359	\$55	\$51
24" x 36"	WBSL2436S	74P	□	□□	□□	□□	□□□	□□	□□□	□□□	□□□	□□□	□□	\$374	\$59	\$53
24" x 42"	WBSL2442S	74P	□	□□	□□	□□	□□□	□□	□□□	□□□	□□□	□□□	□□	\$385	\$62	\$56
24" x 48"	WBSL2448S	74P	□	□□	□□	□□	□□□	□□	□□□	□□□	□□□	□□□	□□	\$398	\$79	\$46
24" x 54"	WBSL2454S	74P	□	□□	□□	□□	□□□	□□	□□□	□□□	□□□	□□□	□□	\$414	\$94	\$42
24" x 60"	WBSL2460S	74P	□	□□	□□	□□	□□□	□□	□□□	□□□	□□□	□□□	□□	\$431	\$96	\$129
24" x 66"	WBSL2466S	74P	□	□□	□□	□□	□□□	□□	□□□	□□□	□□□	□□□	□□	\$442	\$104	\$131
24" x 72"	WBSL2472S	74P	□	□□	□□	□□	□□□	□□	□□□	□□□	□□□	□□□	□□	\$458	\$114	\$127
<hr/>																
24" x 30"	WBSL2430A	74P	□	□□	□□	□□	□□□	□□	□□□	□□□	□□□	□□□	□□	\$359	\$55	\$51
24" x 36"	WBSL2436A	74P	□	□□	□□	□□	□□□	□□	□□□	□□□	□□□	□□□	□□	\$374	\$59	\$53
24" x 42"	WBSL2442A	74P	□	□□	□□	□□	□□□	□□	□□□	□□□	□□□	□□□	□□	\$385	\$62	\$56
24" x 48"	WBSL2448A	74P	□	□□	□□	□□	□□□	□□	□□□	□□□	□□□	□□□	□□	\$398	\$79	\$46
24" x 54"	WBSL2454A	74P	□	□□	□□	□□	□□□	□□	□□□	□□□	□□□	□□□	□□	\$414	\$94	\$42
24" x 60"	WBSL2460A	74P	□	□□	□□	□□	□□□	□□	□□□	□□□	□□□	□□□	□□	\$431	\$96	\$129
24" x 66"	WBSL2466A	74P	□	□□	□□	□□	□□□	□□	□□□	□□□	□□□	□□□	□□	\$442	\$104	\$131
24" x 72"	WBSL2472A	74P	□	□□	□□	□□	□□□	□□	□□□	□□□	□□□	□□□	□□	\$458	\$114	\$127

- 1
- 2
- 3
- 4
- 5
- 6
- 7
- 8
- 9
- 10
- 11
- 12
- 13

HOW TO ORDER

Indicate the following information on the order form:

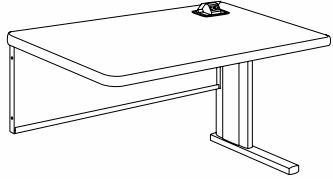
1. Quantity of each item.
2. Model Number, including options.
(See "How to Build a Model Number.")
3. Any special service required.

Note:
The □ indicates that a choice is required.

The absence of □ indicates that no choice is required
Alpha-Numeric characters in place of □ indicates that no other alternatives are available.

HOW TO BUILD A MODEL NUMBER

- 1 Select Basic Model**
- 2 Select Edge Style**
74P - 74P edge
- 3 Select PowerUp® Module Location**
PUN - No module
PUL - Left module; add \$61
PUR - Right module; add \$61
PUC - Center module; add \$61
PUB - Both left and right module; add \$122
PUB option only available on 60", 66" and 72" wide worksurfaces.
- 4 Select Wire Trough (Available in Black Only)**
NT - No wire trough
WT - Wire trough Add WT Upcharge
- 5 Select Electrical Option**
NP - No power
T6 - T6 power (Receptacles, jumpers, and infeeds are to be specified separately)
Add T6 Upcharge
- 6 Select Frame Style**
WM - w/Modesty panel
WF - w/Full modesty panel add \$40
- 7 Select Worksurface Grommet Option**
OGN - No worksurface grommet
OGY - Yes worksurface grommet
Overhead cabinet can NOT be ordered.
Grommets can be used for wire pass-through.
- 8 Select Paint Color**
Refer to [Finish Options](#).
- 9 Select Insert Color**
Refer to [Finish Options](#).
- 10 Select Laminate Surface**
Refer to [Finish Options](#).
- 11 Select Edge Color**
Refer to [Finish Options](#). Edge color offerings are based on edge style selections.
- 12 Select Grommet Color**
Refer to [Finish Options](#).
- 13 Select PowerUp® module color**
Refer to [Finish Options](#).



D x W	Basic Model	Edge Style	PowerUp Mod.	Wire Trough	Elec. Option	Frame Style	Work surface Grommet	Paint Color	Insert Color	Laminate Color	Edge Color	Grommet Color	PowerUp Mod. Color	Net Price	UPCHARGES	
															WT	T6
30" x 30"	WBSL2430F	74P	<input type="checkbox"/>	<input type="checkbox"/>	<input type="checkbox"/>	<input type="checkbox"/>	<input type="checkbox"/>	<input type="checkbox"/>	<input type="checkbox"/>	<input type="checkbox"/>	<input type="checkbox"/>	<input type="checkbox"/>	<input type="checkbox"/>	\$359	\$55	\$51
30" x 36"	WBSL2436F	74P	<input type="checkbox"/>	<input type="checkbox"/>	<input type="checkbox"/>	<input type="checkbox"/>	<input type="checkbox"/>	<input type="checkbox"/>	<input type="checkbox"/>	<input type="checkbox"/>	<input type="checkbox"/>	<input type="checkbox"/>	<input type="checkbox"/>	\$374	\$59	\$53
30" x 42"	WBSL2442F	74P	<input type="checkbox"/>	<input type="checkbox"/>	<input type="checkbox"/>	<input type="checkbox"/>	<input type="checkbox"/>	<input type="checkbox"/>	<input type="checkbox"/>	<input type="checkbox"/>	<input type="checkbox"/>	<input type="checkbox"/>	<input type="checkbox"/>	\$385	\$62	\$56
30" x 48"	WBSL2448F	74P	<input type="checkbox"/>	<input type="checkbox"/>	<input type="checkbox"/>	<input type="checkbox"/>	<input type="checkbox"/>	<input type="checkbox"/>	<input type="checkbox"/>	<input type="checkbox"/>	<input type="checkbox"/>	<input type="checkbox"/>	<input type="checkbox"/>	\$398	\$79	\$46
30" x 54"	WBSL2454F	74P	<input type="checkbox"/>	<input type="checkbox"/>	<input type="checkbox"/>	<input type="checkbox"/>	<input type="checkbox"/>	<input type="checkbox"/>	<input type="checkbox"/>	<input type="checkbox"/>	<input type="checkbox"/>	<input type="checkbox"/>	<input type="checkbox"/>	\$414	\$94	\$42
30" x 60"	WBSL2460F	74P	<input type="checkbox"/>	<input type="checkbox"/>	<input type="checkbox"/>	<input type="checkbox"/>	<input type="checkbox"/>	<input type="checkbox"/>	<input type="checkbox"/>	<input type="checkbox"/>	<input type="checkbox"/>	<input type="checkbox"/>	<input type="checkbox"/>	\$431	\$96	\$129
30" x 66"	WBSL2466F	74P	<input type="checkbox"/>	<input type="checkbox"/>	<input type="checkbox"/>	<input type="checkbox"/>	<input type="checkbox"/>	<input type="checkbox"/>	<input type="checkbox"/>	<input type="checkbox"/>	<input type="checkbox"/>	<input type="checkbox"/>	<input type="checkbox"/>	\$442	\$104	\$131
30" x 72"	WBSL2472F	74P	<input type="checkbox"/>	<input type="checkbox"/>	<input type="checkbox"/>	<input type="checkbox"/>	<input type="checkbox"/>	<input type="checkbox"/>	<input type="checkbox"/>	<input type="checkbox"/>	<input type="checkbox"/>	<input type="checkbox"/>	<input type="checkbox"/>	\$458	\$114	\$127

24" Finisher

- 1
- 2
- 3
- 4
- 5
- 6
- 7
- 8
- 9
- 10
- 11
- 12
- 13

HOW TO ORDER

Indicate the following information on the order form:
 1. Quantity of each item.
 2. Model Number, including options.
 (See "How to Build a Model Number.")
 3. Any special service required.

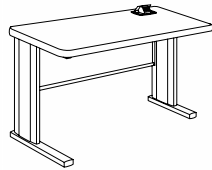
Note:
 The indicates that a choice is required.

The absence of indicates that no choice is required
 Alpha-Numeric characters in place of indicates that no other alternatives are available.

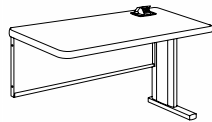
HOW TO BUILD A MODEL NUMBER



- 1 Select Basic Model**
- 2 Select Edge Style**
74P - 74P edge
- 3 Select PowerUp[®] Module Location**
 PUN - No module
 PUL - Left module; add \$61
 PUR - Right module; add \$61
 PUC - Center module; add \$61
 PUB - Both left and right module; add \$122
 PUB option only available on 60", 66" and 72" wide worksurfaces.
- 4 Select Wire Trough (Available in Black Only)**
 NT - No wire trough
 WT - Wire trough Add WT Upcharge
- 5 Select Electrical Option**
 NP - No power
 T6 - T6 power(Receptacles, jumpers, and infeeds are to be specified separately) Add T6 Upcharge
- 6 Select Frame Style**
 WM - w/Modesty panel
 WF - w/Full modesty panel add \$40
- 7 Select Worksurface Grommet Option**
 OGN - No worksurface grommet
 OGY - Yes worksurface grommet
 Overhead cabinet can NOT be ordered.
 Grommets can be used for wire pass-through.
- 8 Select Paint Color**
 Refer to [Finish Options.](#)
- 9 Select Insert Color**
 Refer to [Finish Options.](#)
- 10 Select Laminate Surface**
 Refer to [Finish Options.](#)
- 11 Select Edge Color**
 Refer to [Finish Options.](#) Edge color offerings are based on edge style selections.
- 12 Select Grommet Color**
 Refer to [Finish Options.](#)
- 13 Select PowerUp[®] module color**
 Refer to [Finish Options.](#)



30" Starter



30" Adder

D x W	Basic Model	Edge Style	PowerUp Mod.	Wire Trough	Elec. Option	Frame Style	Worksurface Grommet	Paint Color	Insert Color	Laminate Color	Edge Color	Grommet Color	PowerUp Mod. Color	Net Price	UPCHARGES	
															WT	T6
30" x 30"	WBSL3030S	74P	<input type="checkbox"/>	<input type="checkbox"/>	<input type="checkbox"/>	<input type="checkbox"/>	<input type="checkbox"/>	<input type="checkbox"/>	<input type="checkbox"/>	<input type="checkbox"/>	<input type="checkbox"/>	<input type="checkbox"/>	<input type="checkbox"/>	\$366	\$55	\$51
30" x 36"	WBSL3036S	74P	<input type="checkbox"/>	<input type="checkbox"/>	<input type="checkbox"/>	<input type="checkbox"/>	<input type="checkbox"/>	<input type="checkbox"/>	<input type="checkbox"/>	<input type="checkbox"/>	<input type="checkbox"/>	<input type="checkbox"/>	<input type="checkbox"/>	\$380	\$59	\$53
30" x 42"	WBSL3042S	74P	<input type="checkbox"/>	<input type="checkbox"/>	<input type="checkbox"/>	<input type="checkbox"/>	<input type="checkbox"/>	<input type="checkbox"/>	<input type="checkbox"/>	<input type="checkbox"/>	<input type="checkbox"/>	<input type="checkbox"/>	<input type="checkbox"/>	\$392	\$62	\$56
30" x 48"	WBSL3048S	74P	<input type="checkbox"/>	<input type="checkbox"/>	<input type="checkbox"/>	<input type="checkbox"/>	<input type="checkbox"/>	<input type="checkbox"/>	<input type="checkbox"/>	<input type="checkbox"/>	<input type="checkbox"/>	<input type="checkbox"/>	<input type="checkbox"/>	\$407	\$79	\$46
30" x 54"	WBSL3054S	74P	<input type="checkbox"/>	<input type="checkbox"/>	<input type="checkbox"/>	<input type="checkbox"/>	<input type="checkbox"/>	<input type="checkbox"/>	<input type="checkbox"/>	<input type="checkbox"/>	<input type="checkbox"/>	<input type="checkbox"/>	<input type="checkbox"/>	\$420	\$94	\$42
30" x 60"	WBSL3060S	74P	<input type="checkbox"/>	<input type="checkbox"/>	<input type="checkbox"/>	<input type="checkbox"/>	<input type="checkbox"/>	<input type="checkbox"/>	<input type="checkbox"/>	<input type="checkbox"/>	<input type="checkbox"/>	<input type="checkbox"/>	<input type="checkbox"/>	\$435	\$96	\$129
30" x 66"	WBSL3066S	74P	<input type="checkbox"/>	<input type="checkbox"/>	<input type="checkbox"/>	<input type="checkbox"/>	<input type="checkbox"/>	<input type="checkbox"/>	<input type="checkbox"/>	<input type="checkbox"/>	<input type="checkbox"/>	<input type="checkbox"/>	<input type="checkbox"/>	\$453	\$104	\$131
30" x 72"	WBSL3072S	74P	<input type="checkbox"/>	<input type="checkbox"/>	<input type="checkbox"/>	<input type="checkbox"/>	<input type="checkbox"/>	<input type="checkbox"/>	<input type="checkbox"/>	<input type="checkbox"/>	<input type="checkbox"/>	<input type="checkbox"/>	<input type="checkbox"/>	\$467	\$114	\$127
30" x 30"	WBSL3030A	74P	<input type="checkbox"/>	<input type="checkbox"/>	<input type="checkbox"/>	<input type="checkbox"/>	<input type="checkbox"/>	<input type="checkbox"/>	<input type="checkbox"/>	<input type="checkbox"/>	<input type="checkbox"/>	<input type="checkbox"/>	<input type="checkbox"/>	\$366	\$55	\$51
30" x 36"	WBSL3036A	74P	<input type="checkbox"/>	<input type="checkbox"/>	<input type="checkbox"/>	<input type="checkbox"/>	<input type="checkbox"/>	<input type="checkbox"/>	<input type="checkbox"/>	<input type="checkbox"/>	<input type="checkbox"/>	<input type="checkbox"/>	<input type="checkbox"/>	\$380	\$59	\$53
30" x 42"	WBSL3042A	74P	<input type="checkbox"/>	<input type="checkbox"/>	<input type="checkbox"/>	<input type="checkbox"/>	<input type="checkbox"/>	<input type="checkbox"/>	<input type="checkbox"/>	<input type="checkbox"/>	<input type="checkbox"/>	<input type="checkbox"/>	<input type="checkbox"/>	\$392	\$62	\$56
30" x 48"	WBSL3048A	74P	<input type="checkbox"/>	<input type="checkbox"/>	<input type="checkbox"/>	<input type="checkbox"/>	<input type="checkbox"/>	<input type="checkbox"/>	<input type="checkbox"/>	<input type="checkbox"/>	<input type="checkbox"/>	<input type="checkbox"/>	<input type="checkbox"/>	\$407	\$79	\$46
30" x 54"	WBSL3054A	74P	<input type="checkbox"/>	<input type="checkbox"/>	<input type="checkbox"/>	<input type="checkbox"/>	<input type="checkbox"/>	<input type="checkbox"/>	<input type="checkbox"/>	<input type="checkbox"/>	<input type="checkbox"/>	<input type="checkbox"/>	<input type="checkbox"/>	\$420	\$94	\$42
30" x 60"	WBSL3060A	74P	<input type="checkbox"/>	<input type="checkbox"/>	<input type="checkbox"/>	<input type="checkbox"/>	<input type="checkbox"/>	<input type="checkbox"/>	<input type="checkbox"/>	<input type="checkbox"/>	<input type="checkbox"/>	<input type="checkbox"/>	<input type="checkbox"/>	\$435	\$96	\$129
30" x 66"	WBSL3066A	74P	<input type="checkbox"/>	<input type="checkbox"/>	<input type="checkbox"/>	<input type="checkbox"/>	<input type="checkbox"/>	<input type="checkbox"/>	<input type="checkbox"/>	<input type="checkbox"/>	<input type="checkbox"/>	<input type="checkbox"/>	<input type="checkbox"/>	\$453	\$104	\$131
30" x 72"	WBSL3072A	74P	<input type="checkbox"/>	<input type="checkbox"/>	<input type="checkbox"/>	<input type="checkbox"/>	<input type="checkbox"/>	<input type="checkbox"/>	<input type="checkbox"/>	<input type="checkbox"/>	<input type="checkbox"/>	<input type="checkbox"/>	<input type="checkbox"/>	\$467	\$114	\$127

- 1
- 2
- 3
- 4
- 5
- 6
- 7
- 8
- 9
- 10
- 11
- 12
- 13

HOW TO ORDER

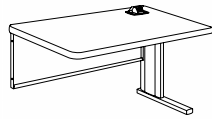
Indicate the following information on the order form:
 1. Quantity of each item.
 2. Model Number, including options.
 (See "How to Build a Model Number.")
 3. Any special service required.

Note:
 The indicates that a choice is required.

The absence of indicates that no choice is required
 Alpha-Numeric characters in place of indicates that no other alternatives are available.

HOW TO BUILD A MODEL NUMBER

- 1 Select Basic Model**
- 2 Select Edge Style**
74P - 74P edge
- 3 Select PowerUp® Module Location**
 PUN - No module
 PUL - Left module; **add \$61**
 PUR - Right module; **add \$61**
 PUC - Center module; **add \$61**
 PUB - Both left and right module; **add \$122**
 PUB option only available on 60", 66" and 72" wide worksurfaces.
- 4 Select Wire Trough (Available in Black Only)**
 NT - No wire trough
 WT - Wire trough **Add WT Upcharge**
- 5 Select Electrical Option**
 NP - No power
 T6 - T6 power (Receptacles, jumpers, and infeeds are to be specified separately)
Add T6 Upcharge
- 6 Select Frame Style**
 WM - w/Modesty panel
 WF - w/Full modesty panel **add \$40**
- 7 Select Worksurface Grommet Option**
 OGN - No worksurface grommet
 OGY - Yes worksurface grommet
 Overhead cabinet can NOT be ordered.
 Grommets can be used for wire pass-through.
- 8 Select Paint Color**
 Refer to [Finish Options](#).
- 9 Select Insert Color**
 Refer to [Finish Options](#).
- 10 Select Laminate Surface**
 Refer to [Finish Options](#).
- 11 Select Edge Color**
 Refer to [Finish Options](#). Edge color offerings are based on edge style selections.
- 12 Select Grommet Color**
 Refer to [Finish Options](#).
- 13 Select PowerUp® module color**
 Refer to [Finish Options](#).



30" Finisher

D x W	Basic Model	Edge Style	Power Up Mod	Wire Trough	Elec. Option	Frame Style	Worksurface Grommet	Paint Color	Insert Color	Laminate Color	Edge Color	Grommet Color	PowerUp Mod. Color	Net Price	UPCHARGES	
															WT	T6
30" x 30"	WBSL3030F	74P	<input type="checkbox"/>	<input type="checkbox"/>	<input type="checkbox"/>	<input type="checkbox"/>	<input type="checkbox"/>	<input type="checkbox"/>	<input type="checkbox"/>	<input type="checkbox"/>	<input type="checkbox"/>	<input type="checkbox"/>	<input type="checkbox"/>	\$366	\$55	\$51
30" x 36"	WBSL3036F	74P	<input type="checkbox"/>	<input type="checkbox"/>	<input type="checkbox"/>	<input type="checkbox"/>	<input type="checkbox"/>	<input type="checkbox"/>	<input type="checkbox"/>	<input type="checkbox"/>	<input type="checkbox"/>	<input type="checkbox"/>	<input type="checkbox"/>	\$380	\$59	\$53
30" x 42"	WBSL3042F	74P	<input type="checkbox"/>	<input type="checkbox"/>	<input type="checkbox"/>	<input type="checkbox"/>	<input type="checkbox"/>	<input type="checkbox"/>	<input type="checkbox"/>	<input type="checkbox"/>	<input type="checkbox"/>	<input type="checkbox"/>	<input type="checkbox"/>	\$392	\$62	\$56
30" x 48"	WBSL3048F	74P	<input type="checkbox"/>	<input type="checkbox"/>	<input type="checkbox"/>	<input type="checkbox"/>	<input type="checkbox"/>	<input type="checkbox"/>	<input type="checkbox"/>	<input type="checkbox"/>	<input type="checkbox"/>	<input type="checkbox"/>	<input type="checkbox"/>	\$407	\$79	\$46
30" x 54"	WBSL3054F	74P	<input type="checkbox"/>	<input type="checkbox"/>	<input type="checkbox"/>	<input type="checkbox"/>	<input type="checkbox"/>	<input type="checkbox"/>	<input type="checkbox"/>	<input type="checkbox"/>	<input type="checkbox"/>	<input type="checkbox"/>	<input type="checkbox"/>	\$420	\$94	\$42
30" x 60"	WBSL3060F	74P	<input type="checkbox"/>	<input type="checkbox"/>	<input type="checkbox"/>	<input type="checkbox"/>	<input type="checkbox"/>	<input type="checkbox"/>	<input type="checkbox"/>	<input type="checkbox"/>	<input type="checkbox"/>	<input type="checkbox"/>	<input type="checkbox"/>	\$435	\$96	\$129
30" x 66"	WBSL3066F	74P	<input type="checkbox"/>	<input type="checkbox"/>	<input type="checkbox"/>	<input type="checkbox"/>	<input type="checkbox"/>	<input type="checkbox"/>	<input type="checkbox"/>	<input type="checkbox"/>	<input type="checkbox"/>	<input type="checkbox"/>	<input type="checkbox"/>	\$453	\$104	\$131
30" x 72"	WBSL3072F	74P	<input type="checkbox"/>	<input type="checkbox"/>	<input type="checkbox"/>	<input type="checkbox"/>	<input type="checkbox"/>	<input type="checkbox"/>	<input type="checkbox"/>	<input type="checkbox"/>	<input type="checkbox"/>	<input type="checkbox"/>	<input type="checkbox"/>	\$467	\$114	\$127

- 1
- 2
- 3
- 4
- 5
- 6
- 7
- 8
- 9
- 10
- 11
- 12
- 13

HOW TO ORDER

Indicate the following information on the order form:
 1. Quantity of each item.
 2. Model Number, including options.
 (See "How to Build a Model Number.")
 3. Any special service required.

Note:
 The indicates that a choice is required.

The absence of indicates that no choice is required
 Alpha-Numeric characters in place of indicates that no other alternatives are available.

HOW TO BUILD A MODEL NUMBER

- 1 Select Basic Model**
- 2 Select Edge Style**
74P - 74P edge
- 3 Select PowerUp® Module Location**
 PUN - No module
 PUL - Left module; add \$61
 PUR - Right module; add \$61
 PUC - Center module; add \$61
 PUB - Both left and right module; add \$122
 PUB option only available on 60", 66" and 72" wide worksurfaces.
- 4 Select Wire Trough (Available in Black Only)**
 NT - No wire trough
 WT - Wire trough Add WT Upcharge
- 5 Select Electrical Option**
 NP - No power
 T6 - T6 power (Receptacles, jumpers, and infeeds are to be specified separately)
 Add T6 Upcharge
- 6 Select Frame Style**
 WM - w/Modesty panel
 WF - w/Full modesty panel add \$40
- 7 Select Worksurface Grommet Option**
 OGN - No worksurface grommet
 OGY - Yes worksurface grommet
 Overhead cabinet can NOT be ordered.
 Grommets can be used for wire pass-through.
- 8 Select Paint Color**
 Refer to [Finish Options](#).
- 9 Select Insert Color**
 Refer to [Finish Options](#).
- 10 Select Laminate Surface**
 Refer to [Finish Options](#).
- 11 Select Edge Color**
 Refer to [Finish Options](#). Edge color offerings are based on edge style selections.
- 12 Select Grommet Color**
 Refer to [Finish Options](#).
- 13 Select PowerUp® module color**
 Refer to [Finish Options](#).

State of Wisconsin Bureau of Correctional Enterprises

Business Office and Showroom
3099 East Washington Avenue
Madison, WI 53704

608.240.5200

shopbce.com

BCE Product Development Center
Design. Support. Promote.



Industries