
SEATING

FURNITURE

Price List Quarter 2

(April - July 2024)

Revised - April 17, 2024



24/7 HD™	3	JAZZ	34	TRIBUTE	111
AFFTON	5	JESSA	37	TRULLO	120
ALT3®	7	NAVIGATOR	41	QUICK SHIP	96
ATTAIN	10	NAVIGATOR AIR	46	UNIFY	124
BREATHE®	15	NLC	60	VIBE	144
BREATHE® JR.	17	ONDA	62	WATERFALL	151
CXO™	19	PILOT	64	ACCESSORIES	152
EC Collection	21	PIPER	66	COLOR ADDENDUM	153
ELEMENT	23	RAZORBACK	69	ELECTRICAL PLACEMENT OPTIONS	155
EMILY	26	RIGGER4	71		
GENIE	28	SITKA	76		
ITHACA	30	SUAVE	99		
ITHACA ULTRA	32				

Special Services

Shipping:
Add 5% of Net for shipping.

Installation:
Add 8% of Net for Installation.

Specifications and prices subject to change without prior notice.



24/7 HD



24/7 HD-HR

GENERAL DIMENSIONS

SEAT HEIGHT

17" – 21"

17" – 21"

OVERALL DIMENSIONS

WIDTH

27-1/2" – 31-1/2"

27-1/2" – 31-1/2"

DEPTH

28-1/2" – 30 1/2"

28-1/2" – 30 1/2"

HEIGHT

37-1/4" – 42"

48-1/2" – 54"

WEIGHT RATING

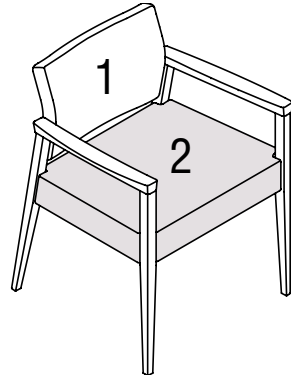
450 lbs

450 lbs

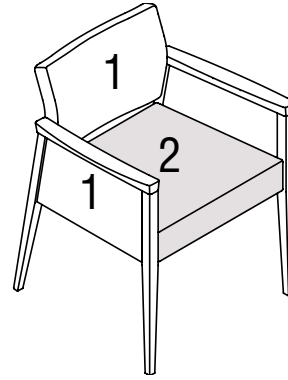
WEIGHT

81 lbs

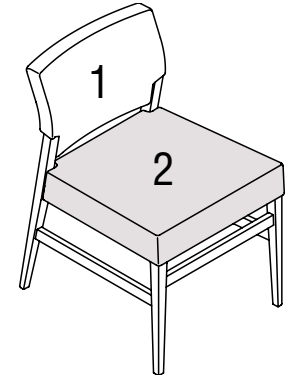
91 lbs



1901



1911



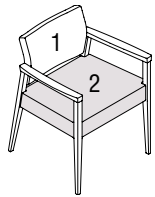
1901A

GENERAL DIMENSIONS

SEAT HEIGHT	20-1/2"	20-1/2"	20-1/2"
SEAT DEPTH	18-1/2"	18-1/2"	18-1/2"
SEAT HEIGHT	19"	19"	19"
ARM WIDTH	2-1/4"	2-1/4"	
ARM HEIGHT	27"	27"	

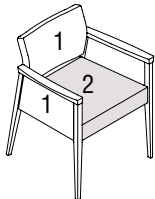
OVERALL DIMENSIONS

WIDTH	24"	24"	23-1/2"
DEPTH	23-1/2"	23-1/2"	23-1/2"
HEIGHT	31-1/2"	31-1/2"	31-1/2"



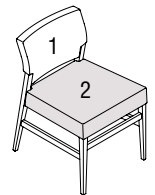
OPEN ARM GUEST CHAIR

- Non-contrast C.O.M = 1.5 yd
- 1 = Back (Fabric Contrast 1) C.O.M. = .75 yd
- 2 = Seat (Fabric Contrast 2) C.O.M. = 1 yd



CLOSED ARM GUEST CHAIR

- Non-contrast C.O.M = 2 yd
- 1 = Back (Fabric Contrast 1) C.O.M. = 1.5 yd
- 2 = Seat (Fabric Contrast 2) C.O.M. = 1 yd



ARMLESS GUEST CHAIR

- Non-contrast C.O.M = 1.5 yd
- 1 = Back (Fabric Contrast 1) C.O.M. = .75 yd
- 2 = Seat (Fabric Contrast 2) C.O.M. = 1 yd

	BASIC MODEL	GLIDE OPTION	ARM CAP	NET PRICE
	1901-NC	<input type="checkbox"/>	<input type="checkbox"/>	\$815
	1901-FC	<input type="checkbox"/>	<input type="checkbox"/>	\$965
	1911-NC	<input type="checkbox"/>	<input type="checkbox"/>	\$904
	1911-FC	<input type="checkbox"/>	<input type="checkbox"/>	\$1054
	1901A-NC	<input type="checkbox"/>	<input type="checkbox"/>	\$788
	1901A-FC	<input type="checkbox"/>	<input type="checkbox"/>	\$938

1

3

4

HOW TO ORDER

- Indicate the following information on the order form:
1. Quantity of each item.
 2. Model Number, including options. (See "How to Build a Model Number.")
 3. Any special service required.

Note:
The indicates that a choice is required.

The absence of indicates that no choice is required.

HOW TO BUILD A MODEL NUMBER

- 1 Select Basic Model
- 2 Select Glide Option
NG - Silver
PG - Black
RG - Silver
FG - Black
- 3 Select Armcaps
WAC - Wood Armcaps
PAC - Black Poly add \$256

Select Fabric
Cards are available online and by request
[See ShopBCE](#)

+



ALT3CLA



ALT3UNA



ALT3UUA

FEATURES			
BACK FLEX	•	•	•
SWIVEL AND TILT	•	•	•
GLIDES OPTION	•		
HEAD REST OPTION		•	•
GENERAL DIMENSIONS			
SEAT WIDTH	18-1/2"	18"	18"
SEAT DEPTH	17-1/4"	15-1/2" – 18"	15-1/2" – 18"
SEAT HEIGHT	16-1/4" – 19-1/2"	16-1/4" – 20-3/4"	16-1/4" – 20-3/4"
ARM HEIGHT	8-3/4"		6-1/4" – 9-1/4"
INSIDE DISTANCE BETWEEN ARMS	19-3/4"		19"
OVERALL DIMENSIONS			
WIDTH	24"	26"	26"
DEPTH	24"	26"	26"
HEIGHT	35-1/4" – 38-1/2"	39-1/2" – 44"	39-1/2" – 44"
BASE DIAMETER	24"	26"	26"



ALT3MNA



ALT3MAA



ALT3MFA

FEATURES			
BACK FLEX	•	•	•
SWIVEL AND TILT	•	•	•
GLIDES OPTION			
HEAD REST OPTION	•	•	•
GENERAL DIMENSIONS			
SEAT WIDTH	18"	18"	18"
SEAT DEPTH	17-1/4" – 19-3/4"	17-1/4" – 19-3/4"	17-1/4" – 19-3/4"
SEAT HEIGHT	17" – 21-3/4"	17" – 21-3/4"	17" – 21-3/4"
ARM HEIGHT		7-1/4" – 9-1/4"	7-1/4"
INSIDE DISTANCE BETWEEN ARMS		20"	20"
OVERALL DIMENSIONS			
WIDTH	26"	27"	27"
DEPTH	26"	26"	26"
HEIGHT	38-3/4" – 43-1/2"	38-3/4" – 43-1/2"	38-3/4" – 43-1/2"
BASE DIAMETER	26"	26"	26"



ALT3 CONFERENCE CHAIR

- Seat height adjustment
- Swivel and tilt
- Loop arm
- Mesh back available in Black and Champagne colors only

ARM TYPE	BASIC MODEL	CASTERS-GLIDES	BASE FINISH	CYLINDER TYPE	HEADREST	LUMBAR	MESH COLOR	NET PRICE
Loop Arm	ALT3CLA	<input type="checkbox"/>	<input type="checkbox"/>	□□□			AM□□	\$351



ALT3 FABRIC TASK CHAIR

- Flex back
- Automatic lumbar support
- Fully upholstered in ALTUS fabric ONLY *
- No arm or adjustable arm

No Arm	ALT3UNA	<input type="checkbox"/>	<input type="checkbox"/>		□□□			\$541
Adjustable Arm	ALT3UAA	<input type="checkbox"/>	<input type="checkbox"/>		□□□			\$548



ALT3 MESH TASK CHAIR

- Flex back
- Mesh pocket for lumbar support
- Breathable mesh back
- Arms are not field installable

No Arm	ALT3MNA	<input type="checkbox"/>	<input type="checkbox"/>		□□□	□□□	AM□□	\$534
Adjustable Arm	ALT3MAA	<input type="checkbox"/>	<input type="checkbox"/>		□□□	□□□	AM□□	\$545
Fixed Arm	ALT3MFA	<input type="checkbox"/>	<input type="checkbox"/>		□□□	□□□	AM□□	\$551

- 1 2 3 4 5 6 7

HOW TO ORDER

Indicate the following information on the order form:
 1. Quantity of each item.
 2. Model Number, including options.
 (See "How to Build a Model Number.")
 3. Any special service required.

Note:
 The indicates that a choice is required.

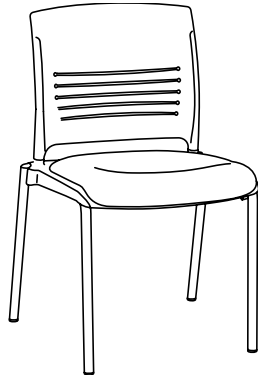
The absence of indicates that no choice is required.

HOW TO BUILD A MODEL NUMBER

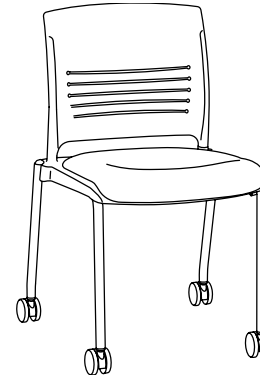
- Select Basic Model**
- Select Casters-Glides Option**
 C - Carpet Casters
 S - Hard Floor Casters; **add \$28**
 G - Glides (Conference only); **add \$18**
- Select Base Finish Option**
 P - Plastic Base
 A - Aluminum Base; **add \$117**
- Select Cylinder type (ALT3CLA Only)**
 AR - Auto Return; **add \$75**
 STD - Standard

- Select Headrest Option**
 NHR - No Headrest
 HR - Headrest; **add \$72**
- Select Lumbar Option**
 NLS - No Lumbar Support
 LS - Lumbar Support; **add \$63**
- Select Mesh Color**
 AMBL - Ebony
 AMCM - Jodhpurs
 AMGR - Graphite

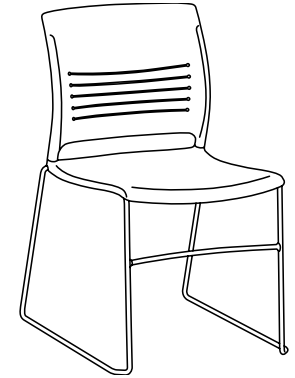
Select Fabric
 Cards are available online and by request
 *The colors allowed are:
 1) Blue Lagoon
 2) Forest
 3) Gun Metal
 4) Merlot
 5) Midnight
 6) Mustard Seed
 7) Perrywinkle
 8) Russet



SLNAP

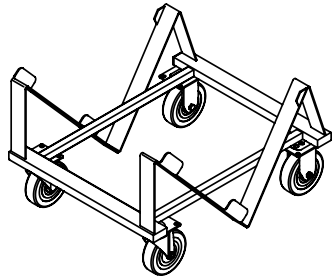


SLNAPC



SWNA

FEATURES			
STACKABLE	•	•	•
FLEX BACK	•	•	•
POLY, UPHOLSTERED SEAT, OR UPHOLSTERED SEAT & BACK	•	•	•
GENERAL DIMENSIONS			
SEAT WIDTH	18"	18"	18"
SEAT DEPTH	18"	18"	18"
SEAT HEIGHT (Upholstered Add 1")	18"	18-1/4"	18-1/4"
OVERALL DIMENSIONS			
WIDTH	20-3/4"	21-1/4"	20-3/4"
DEPTH	21-3/4"	22-1/2"	21-3/4"
HEIGHT	32-1/2"	32-1/2"	32-1/2"



TRANSPORT DOLLY FOR ATTAIN

POLYPROPYLENE STACKING CHAIR

- Move up to 30 Polypropylene chairs at one time
- Easy maneuverability with 5" casters; two fixed, two swivel
- Black powder-coat finish

BASIC MODEL

NET PRICE

CSD-BL

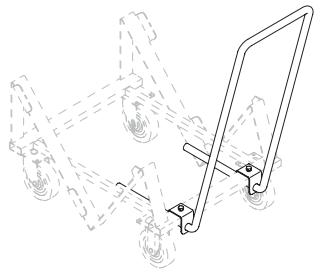
\$205

UNIVERSAL DOLLY HANDLE

- Field installable
- Provides convenient handle for relocating dolly when empty or loaded
- Overall dolly height with handle is 37"

UDH-BL

\$148



1

HOW TO ORDER

HOW TO BUILD A MODEL NUMBER

+

Indicate the following information on the order form:

1 Select Basic Model

1. Quantity of each item.
2. Model Number, including options.
(See "How to Build a Model Number.")
3. Any special service required.

Note:

The indicates that a choice is required.

The absence of indicates that no choice is required.

Frame Color

BL	Black
GR	Blue Grey
ZM	Bronze Metallic
CY	Cayenne
CM	Champagne Metallic
CH	Chrome
CG	Cool Grey
CO	Cottonwood
EY	Earthen Clay
EX	Espresso Metallic
EV	Everglade Shade
FN	Flannel
GZ	Glitz Metallic
HJ	Hazy Jade
HY	Honey Bee
LG	Light Tone
MG	Mardi Gras
MY	Misty Brown
NE	Nemo
ND	Nordic
PR	Poppy Red
PH	Purple Haze
RK	Rubber Ducky
SA	Sand
SK	Sky Blue
SX	Starlight Silver Metallic
SP	Surf's Up
TI	Twilight Shadow
UB	Ultra Blue
WG	Warm Grey
ZL	Zesty Lime

Poly Color - Seat and/or Back

PBL	Black
PGR	Blue Grey
PCY	Cayenne
PCG	Cool Grey
PCO	Cottonwood
PDT	Diamond Translucent
PEY	Earthen Clay
PEV	Everglade Shade
PFN	Flannel
PHJ	Hazy Jade
PHY	Honey Bee
PLG	Light Tone
PMG	Mardi Gras
PMY	Misty Brown
PNE	Nemo
PND	Nordic
PPT	Pewter Translucent
PPR	Poppy Red
PPH	Purple Haze
PRK	Rubber Ducky
PSA	Sand
PSK	Sky Blue
PSP	Surf's Up
PTI	Twilight Shadow
PUB	Ultra Blue
PWG	Warm Grey
PZL	Zesty Lime

TRANSLUCENT colors are available on the upholstered seat models only.

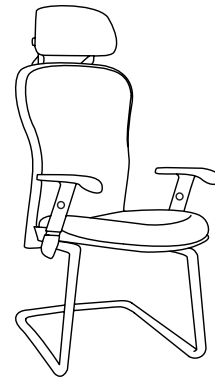
Armcaps and glides match the frame color with the following exceptions:

- When frame color is chrome or metallic, the armcaps and glides will match poly color.
- When back is diamond translucent, armcaps are light tone.
- When back is pewter translucent, armcaps are flannel.

Casters for four-leg chairs are always black.



BRTH



BRTH-SL



BRTHM



BRTH-STL

FEATURES				
BREATHABLE MESH BACK	•	•	•	•
BACK FLEX	•		•	•
VARIABLE POSITION BACK LOCK	•		•	•
LUMBAR ADJUSTMENT	•	•	•	•
ADJUSTABLE ARM OPTION	•	•	•	•
HEAVY DUTY DIE CAST BASE	•		•	•
OPTIONAL HEADREST	•	•	•	•
GENERAL DIMENSIONS				
SEAT WIDTH	21-5/8"	21-5/8"	21-5/8"	21-5/8"
SEAT DEPTH	19-1/2"	19-1/2"	19-1/2"	19-1/2"
BACK WIDTH (At top)	22-5/8"	22-5/8"	22-5/8"	22-5/8"
BACK WIDTH (At lumbar)	18-1/2"	18-1/2"	18-1/2"	18-1/2"
BACK HEIGHT (Above seat)	24"	24"	24"	24"
LUMBAR HEIGHT (Above seat)	4" – 8"	4" – 8"	4" – 8"	4" – 8"
OVERALL DIMENSIONS - NO ARMS				
WIDTH	22-3/4"	22-3/4"	22-3/4"	22-3/4"
DEPTH	25"	25"	25"	25"
SEAT HEIGHT RANGE	18" – 21"	18"	18" – 21"	18" – 21"
OVERALL DIMENSIONS - WITH ARMS				
WIDTH	27-1/2"	27-1/2"	27-1/2"	27-1/2"
DEPTH	25"	25"	25"	25"
WIDTH BETWEEN ARMS	20-1/2"	20-1/2"	20-1/2"	20-1/2"
WIDTH OUTSIDE ARMS	27-1/2"	27-1/2"	27-1/2"	27-1/2"
ARM HEIGHT RANGE FROM SEAT	7" – 9-3/4"	7" – 9-3/4"	7" – 9-3/4"	7" – 9-3/4"



	BASIC MODEL	ARMS	HEADREST	CASTERS	NET PRICE
BREATHE TASK CHAIR • Available height and width adjustable arms • Available headrest • Precisely designed seat contours for comfort • Upholstered seat • Mesh back • Black fabric only	BRTH	<input type="checkbox"/> <input type="checkbox"/>	<input type="checkbox"/>	<input type="checkbox"/>	\$387
BREATHE SLED BASE CHAIR • Available height adjustable arms • Available headrest • Precisely designed seat contours for comfort • Upholstered seat • Mesh back • Black rubber glides come standard • Black fabric only	BRTH-SL	<input type="checkbox"/> <input type="checkbox"/>	<input type="checkbox"/>		\$318
BREATHE MESH TASK CHAIR • Available height and width adjustable arms • Available headrest • Precisely designed seat contours for comfort • Mesh seat and back • Black fabric only	BRTHM	<input type="checkbox"/> <input type="checkbox"/>	<input type="checkbox"/>	<input type="checkbox"/>	\$427
BREATHE TASK STOOL CHAIR • Available height and width adjustable arms • Available headrest • Precisely designed seat contours for comfort • Upholstered seat • Mesh back • Includes a 20" footring • Black fabric only	BRTH-STL	<input type="checkbox"/> <input type="checkbox"/>	<input type="checkbox"/>	<input type="checkbox"/>	\$483
	1	2	3	4	

HOW TO ORDER

- Indicate the following information on the order form:
- Quantity of each item.
 - Model Number, including options.
(See "How to Build a Model Number.")
 - Any special service required.

Note:
The indicates that a choice is required.

The absence of indicates that no choice is required.

HOW TO BUILD A MODEL NUMBER

- Select Basic Model**
- Select Arm Option (HW not available for Sled Base)**
 NA - Armless
 AA - Adjustable Arms (Height); **add \$52**
 HW - Height and Width Adjustable Arms; **add \$72**
- Select Headrest Option**
 X - No Headrest
 H - Headrest; **add \$58**
- Select Casters Option**
 C - Carpet Casters
 S - Hard Floor Casters; **add \$27**





BRTHJ-PED

FEATURES

BREATHABLE MESH BACK	•
SOFT CONTOURED SEAT	•
BACK FLEX RECLINE IN MECHANISM FREE FLOAT OPTION	•
MECHANISM VARIABLE POSITION BACK ANGLE LOCK	•
HORIZONTAL/VERTICAL LUMBAR ADJUSTMENT	•
ADJUSTABLE ARM WITH SOFT URETHANE ARM PADS	•
5MM HIGH IMPACT CASTERS	•

GENERAL DIMENSIONS

SEAT WIDTH	20-1/2"
SEAT DEPTH	19-1/2"
BACK WIDTH	20"
BACK HEIGHT (Above seat)	20"
LUMBAR HEIGHT (Above seat)	6" — 7-1/8"

OVERALL DIMENSIONS - NO ARMS

WIDTH	22-3/4"
DEPTH	25"
SEAT HEIGHT RANGE	17" — 22"

OVERALL DIMENSIONS - WITH ARMS

PAD WIDTH	3-7/8"
ARM DEPTH	11-1/2"
WIDTH BETWEEN ARMS	19-1/2"
WIDTH OUTSIDE ARMS	27-1/8"
ARM HEIGHT RANGE FROM SEAT	7" — 9-3/4"



6200

6200D

6200TI

6200DTI

6200HD

6200DHD

FEATURES

4D ADJUSTABLE ARMS	•	•	•	•	•	•
BACK LOCK	•	•	•	•	•	•

GENERAL DIMENSIONS

OVERALL WIDTH	26" – 29"	26" – 29"	26" – 29"	26" – 29"	26" – 29"	26" – 29"
OVERALL DEPTH	22" – 24"	22" – 24"	22" – 24"	22" – 24"	22" – 24"	22" – 24"
OVERALL HEIGHT	37-1/2" – 42-1/2"	46" – 48"	37-1/2" – 42-1/2"	46" – 52"	37-1/2" – 42-1/2"	46" – 48"
SEAT HEIGHT	16" – 21"	16" – 21"	17" – 22"	17" – 22"	17-1/2" – 22"	16" – 21"
WEIGHT	75 lbs		84 lbs		95 lbs	
VOLUME	19 cu. ft		19 cu. ft		19 cu. ft	
KD VOLUME	19 cu. ft		16 cu. ft		16 cu. ft	



	DESCRIPTION	BASIC MODEL	BASE COLOR	CASTERS	NET PRICE
CXO MID BACK CHAIR <ul style="list-style-type: none"> • ABLEX™ patterned weave mesh back • ENERSORB™ seat foam • Available with Headrest • Die cast aluminum base (black standard) • Adjustable arms • 2" Mag Wheel Carpet Casters standard 	No Headrest	6200	□□	□□□	\$1,020
	With Headrest	6200D	□□	□□□	\$1,083
CXO TASK INTENSIVE CHAIR <ul style="list-style-type: none"> • ABLEX patterned weave mesh back • ENERSORB seat foam • Available with Headrest • Die cast aluminum base (black standard) • Rated for 24/7 use • Rated for 350 lbs • 3" Carpet Casters standard 	No Headrest	6200TI	□□	□□□	\$1,075
	With Headrest	6200DTI	□□	□□□	\$1,136
CXO HEAVY DUTY CHAIR <ul style="list-style-type: none"> • ABLEX patterned weave mesh back • ENERSORB seat foam • Available with Headrest • Die cast aluminum base (black standard) • Rated for 24/7 use • Rated for 450 lbs • 3" Carpet Casters standard 	No Headrest	6200HD	□□	□□□	\$1,159
	With Headrest	6200DHD	□□	□□□	\$1,222

1

2

3

HOW TO ORDER

- Indicate the following information on the order form:
1. Quantity of each item.
 2. Model Number, including options.
(See "How to Build a Model Number.")
 3. Any special service required.

Note:
The □ indicates that a choice is required.

The absence of □ indicates that no choice is required.

HOW TO BUILD A MODEL NUMBER

- 1 **Select Basic Model**
- 2 **Select Base Color**
(Leave blank if choosing black base)
CH - Polished Aluminum; **add \$25** (Base, Arm Trim)
- 3 **Select Casters Option**
(Leave blank if choosing standard caster)
TC - 2" Hard Floor Casters (only available for CXO Mid Back); **add \$30**
LG - 3" Carpet Casters; (if adding to CXO Mid Back); **add \$30**
TC3 - 3" Hard Floor Casters; **add \$52**

Select Fabric
Cards are available online and by request

[See ShopBCE](#)





235D

GENERAL DIMENSIONS

SEAT HEIGHT	18-1/2" – 22"
-------------	---------------

OVERALL DIMENSIONS

WIDTH	24-1/4"
DEPTH	30"
HEIGHT	43" – 46-1/4"
WEIGHT	50 lbs
VOLUME	17 cu ft



EC 2 SERIES HIGH BACK EXECUTIVE CHAIR

- Integrated built-in headrest support
- ENERSORB foam in molded seat only
- Knee-tilt mechanism includes multi-position tilt lock with slow release, pneumatic height adjustment and telescopic tension knob control
- Polished aluminum fixed arms

BASIC MODEL	CASTERS	NET PRICE
235D	□□□	\$661

1

2

HOW TO ORDER

Indicate the following information on the order form:

1. Quantity of each item.
2. Model Number, including options.
(See "How to Build a Model Number.")
3. Any special service required.

Note:

The □ indicates that a choice is required.

The absence of □ indicates that no choice is required.

HOW TO BUILD A MODEL NUMBER

1 Select Basic Model

2 Select Casters Option

FOR 235D MODEL ONLY

- C - 2" Carpet Casters
- TC - 2" Hard Floor Casters **add \$30**
- LG - 3" Carpet Casters **add \$30**
- TC3 - 3" Hard Floor Casters **add \$52**

FOR 635 & 635D MODELS ONLY

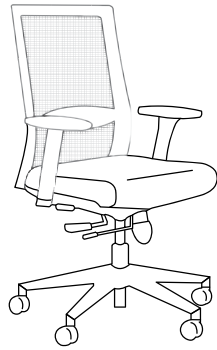
- TC - 2" Hard Floor Casters
- LG - 3" Carpet Casters
- TC3 - 3" Hard Floor Casters **add \$52**

Select Fabric

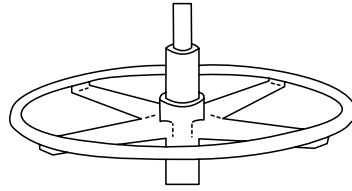
Cards are available online and by request

[See ShopBCE](#)

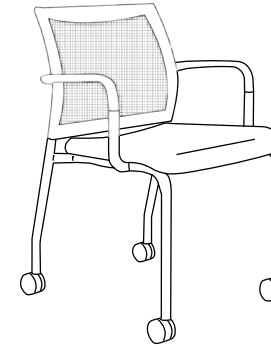




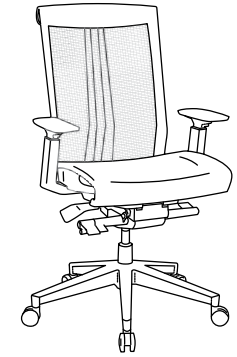
S1



Stool option for S1 and Vex



Vex



S1

FEATURES			
Seat Slider	•		•
Height/Width adjustable arms	•		•
Premium High hub base	•		•
Stackable		•	
Weight Capacity	250 lbs	250 lbs	300 lbs
GENERAL DIMENSIONS			
SEAT WIDTH	18"	18"	20-1/2"
SEAT DEPTH	18-7/8"	18-7/8"	20-1/4"
SEAT HEIGHT	18-1/2" – 23"	18-1/2" – 23"	20-3/4" – 17-1/2"
BACK WIDTH	17-1/2"	17-1/2"	18-3/4"
OVERALL DIMENSIONS			
WIDTH	26-1/2"	19-3/4"	26-1/4"
HEIGHT	37" – 41-1/2"	33"	40-1/2"



VEX MESH BACK TASK CHAIR

- Contour Striped Mesh in Black or Gray
- Color scheme is Black or Gray matching frame, back, and seat
- Molded foam seat
- 2 available mechanism options
- Seat Slider
- 4 way adjustable lumbar
- Height adj arms and optional 6 way adj arms
- Premium high hub base
- 300lb weight capacity

FEATURES	BASIC MODEL	6 WAY ARMS	STOOL KIT	BASE OPTION	HEADREST OPTION	NET PRICE
Synchro Mech, Black	R80B	<input type="checkbox"/>	<input type="checkbox"/>	<input type="checkbox"/>	VHR- <input type="checkbox"/>	\$300
Multi-Function Mech, Black	R80MF-B	<input type="checkbox"/>	<input type="checkbox"/>	<input type="checkbox"/>	VHR- <input type="checkbox"/>	\$344
Synchro Mech, Gray	R80G	<input type="checkbox"/>	<input type="checkbox"/>	<input type="checkbox"/>	VHR- <input type="checkbox"/>	\$315
Multi-Function Mech, Gray	R80MF-G	<input type="checkbox"/>	<input type="checkbox"/>	<input type="checkbox"/>	VHR- <input type="checkbox"/>	\$370



VEX All MESH TASK CHAIR

- Contour Striped Mesh in Black or Gray
- Color scheme is Black or Gray matching frame, back, and seat
- 2 available mechanism options
- Seat Slider
- 4 way adjustable lumbar
- Height adj arms and optional 6 way adj arms
- Premium high hub base
- 300lb weight capacity

Synchro Mech, Black	R80MS-B	<input type="checkbox"/>	<input type="checkbox"/>	<input type="checkbox"/>	VHR- <input type="checkbox"/>	\$327
Multi-Function Mech, Black	R80MS-MF-B	<input type="checkbox"/>	<input type="checkbox"/>	<input type="checkbox"/>	VHR- <input type="checkbox"/>	\$388
Synchro Mech, Gray	R80MS-G	<input type="checkbox"/>	<input type="checkbox"/>	<input type="checkbox"/>	VHR- <input type="checkbox"/>	\$357
Multi-Function Mech, Gray	R80MS-MF-G	<input type="checkbox"/>	<input type="checkbox"/>	<input type="checkbox"/>	VHR- <input type="checkbox"/>	\$416

1 2 3 4 5

HOW TO ORDER

- Indicate the following information on the order form:
1. Quantity of each item.
 2. Model Number, including options.
(See "How to Build a Model Number.")
 3. Any special service required.

Note:
The indicates that a choice is required.

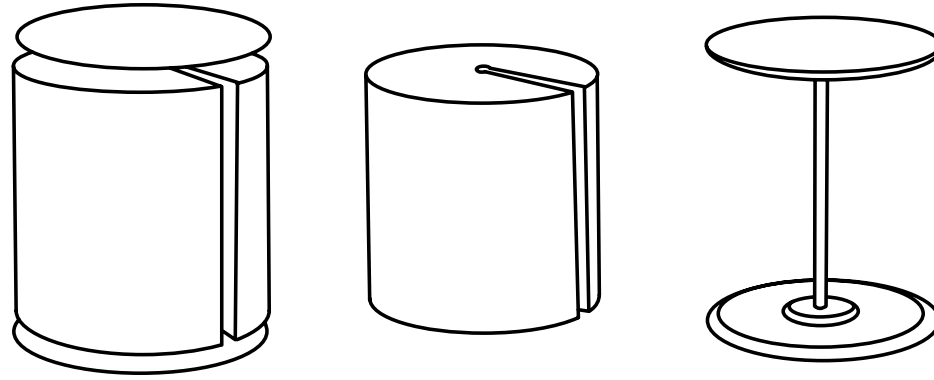
The absence of indicates that no choice is required.

HOW TO BUILD A MODEL NUMBER

- 1 Select Basic Model
- 2 Select Arm Option
6DA- upgraded 6 way moveable armrests **add \$28**
- 3 Select Stool Kit (Synchro Mechanisms only)
SK200-kit includes 190mm cylinder with tilt lock out **add \$65**

- 4 Select Polished Aluminum Base
EPD-upgraded polished aluminum base **add \$41**
- 5 Select Headrest
B (Black)
G (Gray) **add \$53**

+



610

OVERALL DIMENSIONS

WIDTH	16-1/2"
DEPTH	19-3/4"
HEIGHT	18"
SEAT HEIGHT	16-1/2"
WEIGHT	28 lbs



401-B-67C-38A6-18BB-16SCG



405-B-68C-51A18R-18BB-16SCG



408-B-67CSS-51A18S-19AB-18BB-16SCG-LS1

FEATURES			
WELDED MECHANISM	•	•	•
FOAM COVERED BACK	•	•	•
GENERAL DIMENSIONS			
SEAT WIDTH	20.5"	21"	22.2"
SEAT DEPTH	17.8"	19.7"	17"
SEAT HEIGHT	16.4" – 21"	16.2" – 20.1"	16.6" – 21.2"
BACKREST HEIGHT	22.1"	22.3"	22.3"
BACKREST WIDTH	16" – 20.2"	16" – 20.2"	16" – 20.2"
OVERALL DIMENSIONS			
WIDTH	24"	24"	24"
HEIGHT	37.8" – 42.5"	38.7" – 42.7"	38.2" – 42.7"



GENIE MID BACK TASK CHAIR - STANDARD

SEAT

- Mid back height
- Mesh backing
- Size "A" seat
- Black frame
- Advanced synchro control mechanism
- Height adjustable arms
- Fixed black armrest
- Black base
- Black carpet casters



GENIE MID BACK TASK CHAIR - MEDIUM SEAT

- Mid back height
- Mesh backing
- Size "B" seat
- Black frame
- Advanced synchro control mechanism
- Seat slider
- Black 8-way adjustable arms
- 4D Black rotating arm rest
- Arm width adjustment bracket
- Black base
- Black carpet casters



GENIE MID BACK TASK CHAIR - LARGE SEAT

- Mid back height
- Mesh backing
- Size "C" seat
- Black frame
- Advanced synchro control mechanism
- Seat slider
- Black roll back adjustable arms
- Black base
- Black carpet casters

CHAIR ADDITION	BASIC MODEL	MESH COLOR	NET PRICE
Basic Options	401-B-67C-38A-6-18BB-16SCG	<input type="checkbox"/> <input type="checkbox"/> G	\$692
Seat Slider	401-B-67C-SS-38A-6-18BB-16SCG	<input type="checkbox"/> <input type="checkbox"/> G	\$764
Seat Slider, Black 8-way adjustable arms	401-B-67C-SS-51A-18R-19AB-18BB-16SCG-LS1	<input type="checkbox"/> <input type="checkbox"/> G	\$874
Arm width adjustment bracket,			
Lumbar Support			
Basic Options	405-B-67C-SS-51A-18R-19AB-18BB-16SCG	<input type="checkbox"/> <input type="checkbox"/> G	\$900
Lumbar Support	405-B-67C-SS-51A-18R-19AB-18BB-16SCG-LS1	<input type="checkbox"/> <input type="checkbox"/> G	\$959
Black standard fixed armrest,	405-B-67C-SS-51A-18S-18BB-16SCG-LS1		\$900
Lumbar Support			
Aluminum 8-way adjustable arms	405-B-67C-SS-53A-18S-19AB-18BB-16SCG	<input type="checkbox"/> <input type="checkbox"/> G	\$1005
Black standard fixed armrest, Aluminum base			
Height adjustable arms	405-B-67C-SS-38A-6-19AB-18BB-16SCG	<input type="checkbox"/> <input type="checkbox"/> G	\$841
Fixed black armrest			
Basic Options	408-B-67C-SS-39A-18BB-16SCG	<input type="checkbox"/> <input type="checkbox"/> G	\$990
Black 8-way adjustable arms,	408-B-67C-SS-51A-18S-19AB-18BB-16SCG	<input type="checkbox"/> <input type="checkbox"/> G	\$999
Black standard fixed armrest,			
Arm width adjustment bracket			
Black 8-way adjustable arms,	408-B-67C-SS-51A-18S-19AB-18BB-16SCG-LS1	<input type="checkbox"/> <input type="checkbox"/> G	\$1,058
Black standard fixed armrest,			
Arm width adjustment bracket,			
Lumbar Support			

1

2

HOW TO ORDER

- Indicate the following information on the order form:
1. Quantity of each item.
 2. Model Number, including options.
(See "How to Build a Model Number.")
 3. Any special service required.

Note:
The indicates that a choice is required.
The absence of indicates that no choice is required.

HOW TO BUILD A MODEL NUMBER

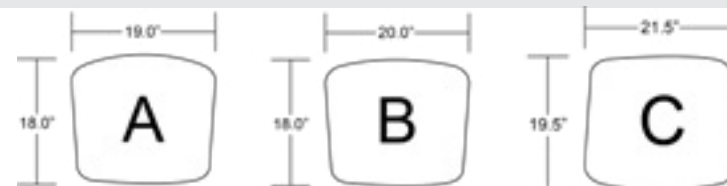
- 1 **Select Basic Model**
- 2 **Select Mesh Color**
 - 01 - Black
 - 02 - Silver
 - 03 - Blue
 - 04 - Orange
 - 05 - Green
 - 06 - Cardinal Red
 - 07 - Coffee

Upgrade Copper Mesh Color

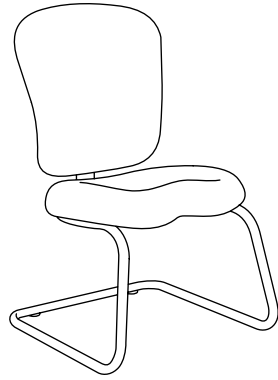
- 11G - Black (Upcharge \$86)
- 12G - Copper (Upcharge \$86)

Fabric Color Options [See ShopBCE](#)

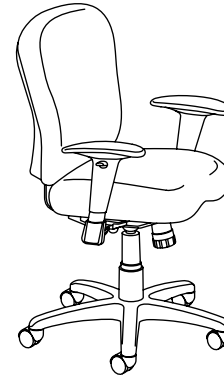
Scroll down to Mayer Florentino section on ShopBCE Fabric page



Seat Sizes



OEI60S



OEI64



OEI65

FEATURES

Free-floating back		•	•
Seat slider		•	•
Back height adjustable		•	•
3 position back lock		•	•
2-1/2" thick foam cushioned seat	•	•	•

GENERAL DIMENSIONS

SEAT WIDTH	20-1/2"	20-1/2"	20-1/2"
SEAT DEPTH	18"	18"	18"
SEAT HEIGHT	18"	17-3/4" – 22-1/4"	22-1/4" – 30"
BACK WIDTH	20"	20"	20"
BACK HEIGHT (Above seat)	21"	19-1/2" – 22-1/2"	21"

OVERALL DIMENSIONS

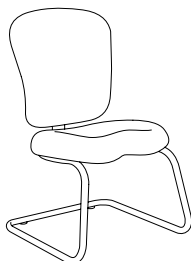
WIDTH	24"	25"	25"
HEIGHT	38-1/2"	37" – 45"	43-1/2" – 56-1/2"



ITHACA FREE FLOAT TASK CHAIR

- 2-1/2" thick foam cushioned seat
- Synchronized free-floating back
- Back height adjustment
- Multiple-position back lock
- Pedestal base available in black only
- Seat slider standard

FEATURE	BASIC MODEL	FOAM	CASTERS	NET PRICE
No Arm	OEI64-NA-SLD	<input type="checkbox"/>	<input type="checkbox"/>	\$296
4D T-Arm	OEI64-JR69-SLD	<input type="checkbox"/>	<input type="checkbox"/>	\$517
Adjustable T-Arm	OEI64-JR39-SLD	<input type="checkbox"/>	<input type="checkbox"/>	\$416
Fixed Loop Arm	OEI64-KMETER-SLD	<input type="checkbox"/>	<input type="checkbox"/>	\$356



ITHACA GUEST CHAIR

- 2-1/2" thick foam cushioned seat
- Cantilevered sled base
- Sled base available in black only
- Back height adjustment
- Multiple-position back lock
- Not for use on carpet

No Arm	OEI60S-NA-STD	<input type="checkbox"/>		\$204
Fixed Loop Arm	OEI60S-KMETER-STD	<input type="checkbox"/>		\$375



ITHACA TASK STOOL

- 2-1/2" thick foam cushioned seat
- Oversized 5 star base
- Back height adjustment
- Multiple-position back lock
- Pedestal base available in black only
- Turn lock foot ring
- Seat slider standard

No Arm	OEI65-NA-SLD	<input type="checkbox"/>	<input type="checkbox"/>	\$400
4D T-Arm	OEI65-JR69-SLD	<input type="checkbox"/>	<input type="checkbox"/>	\$587
Adjustable T-Arm	OEI65-JR39-SLD	<input type="checkbox"/>	<input type="checkbox"/>	\$486
Fixed Loop Arm	OEI65-KMETER-SLD	<input type="checkbox"/>	<input type="checkbox"/>	\$426

1

2

3

HOW TO ORDER

- Indicate the following information on the order form:
1. Quantity of each item.
 2. Model Number, including options. (See "How to Build a Model Number.")
 3. Any special service required.

Note:
The indicates that a choice is required.

The absence of indicates that no choice is required.

HOW TO BUILD A MODEL NUMBER

- 1 **Select Basic Model**
- 2 **Select Foam Option**
NF - No Memory Foam
MF - Memory Foam; add \$66
- 3 **Select Casters Option**
C - Carpet Casters
S - Hard Floor Casters
G - Glides

Select Fabric
Cards are available online and by request

[See ShopBCE](#)

+



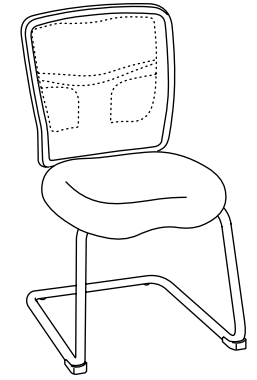
OEI74



OEI78



OEI75



OEI71S

FEATURES				
Free-Floating Back	•	•	•	
Seat Slider	•	•	•	
Back Height Adjustable	•		•	
3 Position Back Lock	•	•		
2-1/2" Thick Foam Cushioned Seat	•	•	•	•

GENERAL DIMENSIONS				
SEAT WIDTH	20-1/2"	20-1/2"	20-1/2"	20-1/2"
SEAT DEPTH	18" — 20-1/2"	18" — 20"	18" — 20-1/2"	19"
SEAT HEIGHT	17-1/4" — 22-1/4"	17-1/4" — 22-1/4"	21-1/4" — 30"	18-1/2"
BACK WIDTH	20"	20"	20"	20"
BACK HEIGHT (Above seat)	17-1/2" — 22-3/4"	20"	17-1/2" — 22-3/4"	22"

OVERALL DIMENSIONS				
WIDTH	25"	26"	26"	24"
HEIGHT	35-1/2" — 43-1/2"	41-1/2" — 46-1/2"	43" — 57"	41-1/2"



ITHACA ULTRA MID BACK CHAIR

- Back is black mesh
- Seat slider standard
- Back height adjustment

FEATURES	BASIC MODEL	FOAM	HEADREST	SEAT SLIDER	MESH COLOR	CASTERS	NET PRICE
No Arm	OEI74-NA	<input type="checkbox"/>		SLD	BL	<input type="checkbox"/>	\$357
4D T-Arm	OEI74-JR69	<input type="checkbox"/>		SLD	BL	<input type="checkbox"/>	\$544
Adjustable T-Arm	OEI74-JR39	<input type="checkbox"/>		SLD	BL	<input type="checkbox"/>	\$443
Fixed Loop Arm	OEI74-KMETER	<input type="checkbox"/>		SLD	BL	<input type="checkbox"/>	\$383



ITHACA ULTRA HIGH BACK CHAIR

- Back is black mesh
- Seat slider standard
- No back height adjustment
- Adjustable black leather headrest option

No Arm	OEI78-NA	<input type="checkbox"/>	<input type="checkbox"/>	SLD	BL	<input type="checkbox"/>	\$383
4D T-Arm	OEI78-JR69	<input type="checkbox"/>	<input type="checkbox"/>	SLD	BL	<input type="checkbox"/>	\$570
Adjustable T-Arm	OEI78-JR39	<input type="checkbox"/>	<input type="checkbox"/>	SLD	BL	<input type="checkbox"/>	\$469
Fixed Loop Arm	OEI78-KMETER	<input type="checkbox"/>	<input type="checkbox"/>	SLD	BL	<input type="checkbox"/>	\$409



ITHACA ULTRA GUEST CHAIR

- Back is black mesh
- Black cantilevered frame
- Non-marring poly glides
- Height adjustable back
- Not for use on carpet

No Arm	OEI71S-NA	<input type="checkbox"/>			BL		\$229
Fixed Loop Arm	OEI71S-KMETER	<input type="checkbox"/>			BL		\$335



ITHACA ULTRA STOOL

- Back is black mesh
- Seat slider standard
- Back height adjustment
- Adjustable steel foot ring

No Arm	OEI75-NA	<input type="checkbox"/>		SLD	BL	<input type="checkbox"/>	\$421
4D T-Arm	OEI75-JR69	<input type="checkbox"/>		SLD	BL	<input type="checkbox"/>	\$608
Adjustable T-Arm	OEI75-JR39	<input type="checkbox"/>		SLD	BL	<input type="checkbox"/>	\$507
Fixed Loop Arm	OEI75-KMETER	<input type="checkbox"/>		SLD	BL	<input type="checkbox"/>	\$447

1

2

3

4

5

6

HOW TO ORDER

- Indicate the following information on the order form:
1. Quantity of each item.
 2. Model Number, including options. (See "How to Build a Model Number.")
 3. Any special service required.

Note:
The indicates that a choice is required.

The absence of indicates that no choice is required.

HOW TO BUILD A MODEL NUMBER

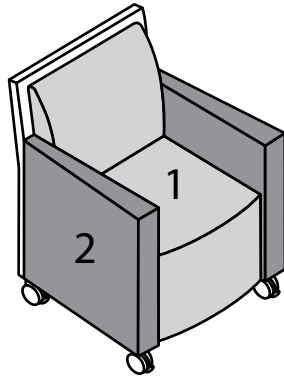
- 1 **Select Basic Model**
- 2 **Select Foam Option**
NF - No Memory Foam
MF - Memory Foam; add \$70
- 3 **Select Headrest Option**
(Leave Blank) - No Headrest
HR - Headrest; add \$105

- 4 **Select Slider**
SLD - With Seat Slider
- 5 **Select Mesh Color**
BL - Black
- 6 **Select Casters Option**
C - Carpet Casters
S - Hard Floor Casters

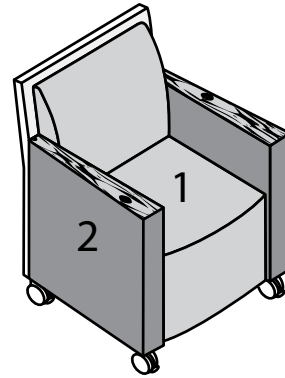
Select Fabric
Cards are available online and by request

[See ShopBCE](#)

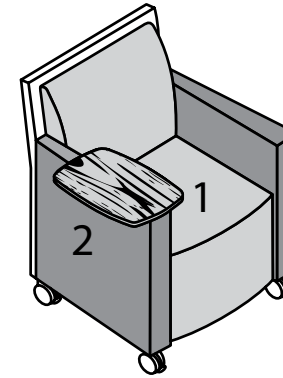




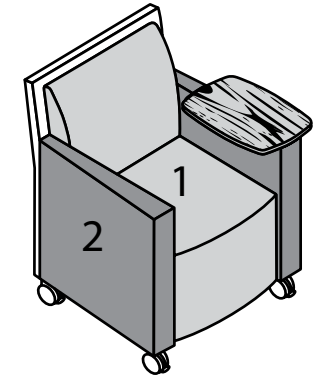
Single Seater



Single Seater With Wood Arm Caps



Single Seater With Rectangular Laminate
Tablet on Right



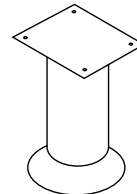
Single Seater With Rectangular Laminate
Tablet on Left

OVERALL DIMENSIONS

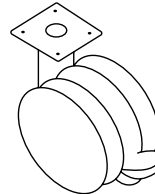
WIDTH (in)	29	29	29	29
DEPTH (in)	28	28	28	28
HEIGHT (in)	35	35	35	35
Volume (ft ³)	16.4	16.4	16.4	16.4
Weight (lbs)	64	66	71	73

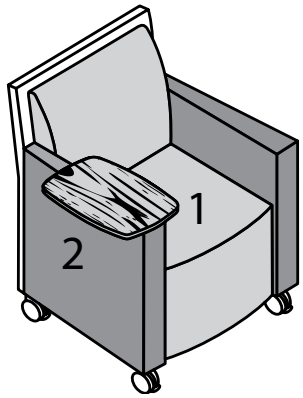
Leg Style Options:

(R) POST LEG



(K) CASTER



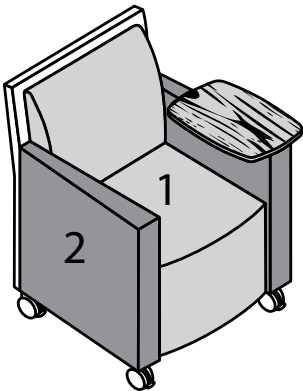


Single Seater With Rectangular Laminate

Tablet on Right

- Contrasting and Non-Contrasting Fabric Options Available
- Non-contrast C.O.M - 5 yds
- 1 - Seat, Inside Back (Fabric Contrast 1) C.O.M. - 2 yd
- 2 - Outside Back, Arms(Fabric Contrast 2) C.O.M. - 3 yd

FABRIC OPTION	BASIC MODEL	LEG STYLE	TABLET SIDE	TABLET MATERIAL	TABLET COLOR	REAR HANDLE	NET PRICE
Non-Contrasting	9801-NC-SF-1S	□□	TR	□	□□□	□□□	\$1,538
Contrasting	9801-FC-SF-1S	□□	TR	□	□□□	□□□	\$1,688



Single Seater With Rectangular Laminate

Tablet on Left

- Contrasting and Non-Contrasting Fabric Options Available
- Non-contrast C.O.M - 5 yds
- 1 - Seat, Inside Back (Fabric Contrast 1) C.O.M. - 2 yd
- 2 - Outside Back, Arms(Fabric Contrast 2) C.O.M. - 3 yd

FABRIC OPTION	BASIC MODEL	LEG STYLE	TABLET SIDE	TABLET MATERIAL	TABLET COLOR	REAR HANDLE	NET PRICE
Non-Contrasting	9801-NC-SF-1S	□□	TL	□	□□□	□□□	\$1,538
Contrasting	9801-FC-SF-1S	□□	TL	□	□□□	□□□	\$1,688

- ①
- ②
- ③
- ④
- ⑤
- ⑥
- ⑦

HOW TO ORDER

- Indicate the following information on the order form:
1. Quantity of each item.
 2. Model Number, including options. (See "How to Build a Model Number.")
 3. Any special service required.

Note:
The □ indicates that a choice is required.

The absence of □ indicates that no choice is required.

HOW TO BUILD A MODEL NUMBER

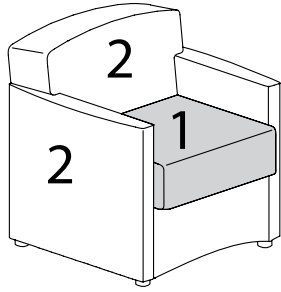
- 1 Select Basic Model**
- 2 Select Leg Style**
KK - Front Caster, Rear Caster
KR - Front Caster, Rear Post
RK - Front Post, Rear Caster
RR - Front Post, Rear Post
- 3 Tablet Side (TR-TL)**
- 4 Select Tablet Material**
V - Veneer
M - Laminate

- 5 Select Tablet Color**
[See Jazz-Tribute-Unify Finishes](#)
- 6 Select Tablet Laminate Option**
LE - Espresso
RM - Naturall
- 7 Select Rear Handle**
P18 - Rear handle **ADD \$63**
Note: Rear Handle **ONLY** available with caster leg style ****If no rear handle is desired leave blank****

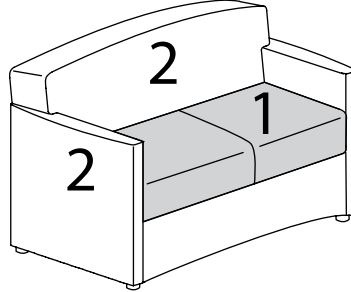
Select Fabric
Cards are available online and by request
[See ShopBCE](#)

Non-Contrasting Fabric - only list one color

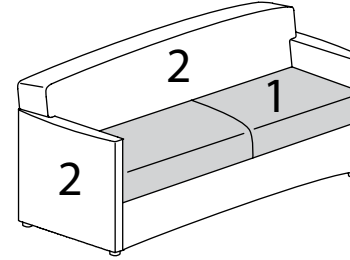
Contrasting Fabric - list colors in order; color "1" first, color "2" second, etc. (Use photo of product for reference)



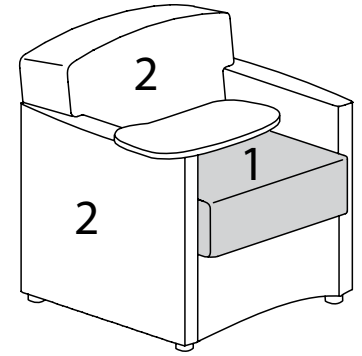
5623



5633



5643



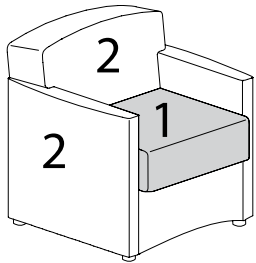
5613

GENERAL DIMENSIONS

SEAT WIDTH	21-3/4"	43-3/4"	65-1/2"	21-3/4"
SEAT DEPTH	20"	20"	20"	20"
SEAT HEIGHT	18-1/2"	18-1/2"	18-1/2"	18-1/2"
ARM WIDTH	4-1/2"	4-1/2"	4-1/2"	4-1/2"

OVERALL DIMENSIONS OUTSIDE

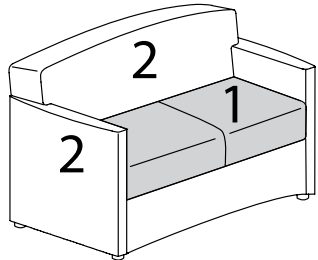
WIDTH	31-1/2"	53-1/2"	75-1/2"	31-1/2"
DEPTH	30"	30"	30"	30"
HEIGHT	32-1/2"	32-1/2"	32-1/2"	32-1/2"
TABLET WIDTH				22"
TABLET DEPTH				13"



JESSA LOUNGE CHAIR

- Fully upholstered
- Wire spring construction
- Durable wood construction
- Wood arm cap option
- Cushions options of attached or unattached
- Non-contrast C.O.M - 6 yds
- 1 - Seat (Fabric Contrast 1) C.O.M. - 1 yds
- 2 - Body (Fabric Contrast 2) C.O.M. - 5 yd

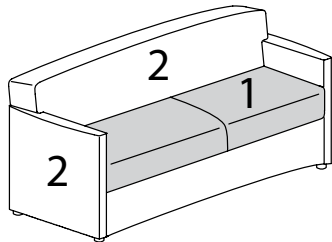
FABRIC OPTION	BASIC MODEL	CUSHIONS	ARM CAPS	CASTERS	ARM CAP FINISH	NET PRICE
Non-Contrasting	5623-NC	□□	□□□	□□□□	□□□	\$751
Contrasting	5623-FC	□□	□□□	□□□□	□□□	\$876



JESSA LOVESEAT

- Fully upholstered
- Wire spring construction
- Durable wood construction
- Wood arm cap option
- Cushions options of attached or unattached
- Non-contrast C.O.M - 8 yds
- 1 - Seat (Fabric Contrast 1) C.O.M. - 2 yds
- 2 - Body (Fabric Contrast 2) C.O.M. - 7 yds

Non-Contrasting	5633-NC	□□	□□□		□□□	\$1,013
Contrasting	5633-FC	□□	□□□		□□□	\$1,138



JESSA SOFA

- Fully upholstered
- Wire spring construction
- Durable wood construction
- Wood arm cap option
- Non-contrast C.O.M - 10 yds
- 1 - Seat (Fabric Contrast 1) C.O.M. - 3 yds
- 2 - Body (Fabric Contrast 2) C.O.M. - 8 yds

Non-Contrasting	5643-NC		□□□		□□□	\$1,359
Contrasting	5643-FC		□□□		□□□	\$1,484

- ①
- ②
- ③
- ④
- ⑤

HOW TO ORDER

Indicate the following information on the order form:

1. Quantity of each item.
2. Model Number, including options. (See "How to Build a Model Number.")
3. Any special service required.

Note:
The □ indicates that a choice is required.

The absence of □ indicates that no choice is required.

HOW TO BUILD A MODEL NUMBER

- ① **Select Basic Model**
- ② **Select Cushion Option**
CN - Cushion Not Attached
CY - Cushion Attached
- ③ **Select Arm Option**
NWA - No Wood Arm Caps
WA - With Wood Arm Caps (pair); **add \$142**

- ④ **Select Casters Option (Lounge Chair Only)**
NCST - No Casters
FCST - Front Casters; **add \$72**
RCST - Rear Casters; **add \$72**
FRCST - Front and Rear Casters; **add \$142**
- ⑤ **Select Wood Arm Cap Finish**
[See End of Section for Finish Options](#)

Select Fabric
Cards are available online and by request
[See ShopBCE](#)

Non-Contrasting Fabric - only list one color

Contrasting Fabric - list colors in order; color "1" first, color "2" second, etc. (Use photo of product for reference)

Wood Finish for Leg/Arm cap

Cherry Storm on Beech	BCX
Cinnamon on Beech	BCN
Cocoa on Beech	BCA
Eclipse Black on Beech	BEB
Florence Walnut on Beech	BFC
Kensington Maple on Maple	MMA
Monticello Maple on Beech	BMT
Natural on Beech	BNA
River Cherry on Beech	BRY

Kensington Maple requires an upcharge.

Wood Finish for Tablet Edge

Cherry Storm on Beech	BCX2
Cinnamon on Beech	BCN2
Cocoa on Beech	BCA2
Florence Walnut on Beech	BFC2
Kensington Maple on Maple	MMA2
Monticello Maple on Beech	BMT2
Natural on Beech	BNA2
River Cherry on Beech	BRY2

Wood edge finish is required on Bow-front (BFL) and Teardrop (TDL) tablets only.

T-Mold tablet edges are always black.

Surface Finish - Laminate

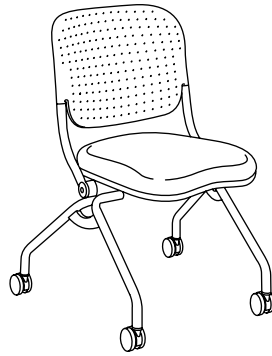
Biltmore Cherry	LBT
Black	LBK
Brighton Walnut	LBW
Canyon Zephyr	LCA
Castle Oak	LCO
Casual Linen	LCU
Cherry Storm	LCX
Classic Linen	LCI
Cloud Zephyr	LCL
Cocobala	LCC
Coffee Bean	LCB
Crisp Linen	LRI
Desert Zephyr	LDZ
Dove Grey	LDG
Fired Steel	LIL
Flax Linen	LXF
Florence Walnut	LFC
Forged Steel	LOL
Frosty White	LFW
Graphite Nebula	LGN
Grey	LGE
High Rise	LHE
Hollyberry	LHY
Irish Linen	LIH
Island	LID
Italian Silver Ash	LIT
Kensington Maple	LKM
Lapis Blue	LLB
Markerboard White	LMK
Misted Zephyr	LMR
Monticello Maple	LMT
Nickel Evolv	LNV
North Sea	LNA
Ocean	LON
Orange Grove	LOE
Pearl Bisque	LPB
Pearl Silver	LPS
Pressed Linen	LPR
River Cherry	LRY
Rugged Linen	LRG
Satin Stainless	LSS
Shadow Zephyr	LSR
Silicon Evolv	LSV
Sterling Ash	LAZ
Tailored Linen	LTL
Titanium Evolv	LTV
White Nebula	LWL
White Sand	LWN
Windsor Mahogany	LWY

Surface Finish - Veneer Table Tops

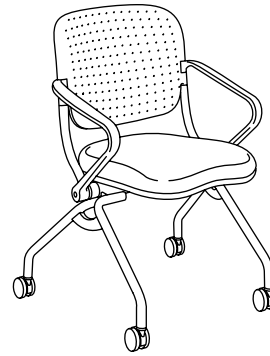
Cherry Storm on Beech	BCX2
Cinnamon on Beech	BCN2
Cocoa on Beech	BCA2
Eclipse Black on Beech	BEB2
Florence Walnut on Beech	BFC2
Kensington Maple on Maple	MMA2
Monticello Maple on Beech	BMT2
Natural on Beech	BNA2
River Cherry on Beech	BRY2

Kensington Maple requires an upcharge.

Bow-front (BFV) and Teardrop (TDV) tablet edges match veneer top color.



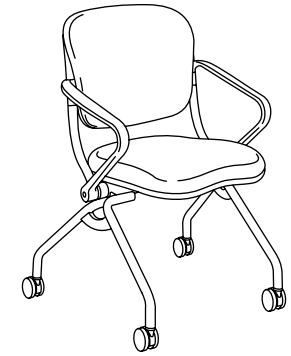
TGNAPB



TGWAPB

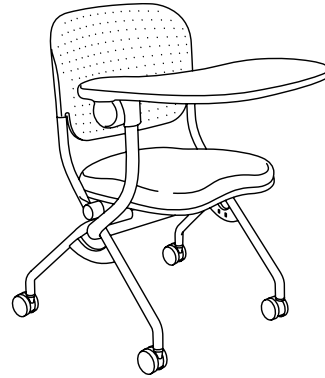


TGNAUB

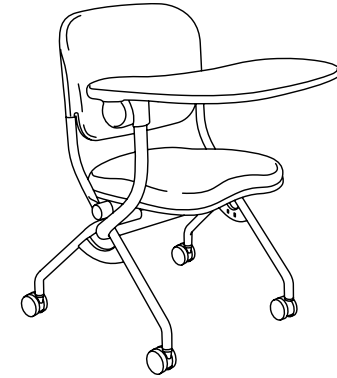


TGWAUB

FEATURES				
BACK FLEX	•	•	•	•
FLIP UP SEAT	•	•	•	•
AVAILABLE IN POLYPROPYLENE OR UPHOLSTERED	•	•	•	•
NESTING	•	•	•	•
GENERAL DIMENSIONS				
SEAT WIDTH	17-1/4"	17-1/4"	17-1/4"	17-1/4"
SEAT DEPTH	18-1/2"	18-1/2"	18-1/2"	18-1/2"
SEAT HEIGHT	18"	18"	18"	18"
BACK WIDTH	18-1/4"	18-1/4"	18-1/4"	18-1/4"
BACK HEIGHT	14"	14"	14"	14"
OVERALL DIMENSIONS				
WIDTH	23-1/2"	23-1/2"	23-1/2"	23-1/2"
DEPTH	24-1/4"	24-1/4"	24-1/4"	24-1/4"
HEIGHT	32-1/4"	32-1/4"	32-1/4"	32-1/4"
TOP OF ARM TO FLOOR		24-1/4"		24-1/4"
WEIGHT (lbs)	26	28	25	27
NESTING (Two chairs-each additional chair add 5")	24" x 24"	24" x 24"	24" x 24"	24" x 24"



TG-TARP-B



TG-TAR-U-B

FEATURES		
BACK FLEX	•	•
FLIP-UP SEAT	•	•
NESTING	•	•
CASTERS	•	•
GENERAL DIMENSIONS		
SEAT WIDTH	17-1/4"	17-1/4"
SEAT DEPTH	18-1/2"	18-1/2"
SEAT HEIGHT	18"	18"
ARM HEIGHT	18-1/4"	18-1/4"
INSIDE DISTANCE BETWEEN ARMS	14"	14"
OVERALL DIMENSIONS		
WIDTH	27"	27"
DEPTH	24-1/4"	31"
HEIGHT	32-1/4"	32-1/4"
TOP OF ARM TO FLOOR	29"	29"
NESTING (Two chairs. Each additional chair add 5")	24" x 24"	24" x 24"

Frame Color

BL	.Black
GR	.Blue Grey
ZM	.Bronze Metallic
CY	.Cayenne
CM	.Champagne Metallic
CH	.Chrome
CG	.Cool Grey
CO	.Cottonwood
EY	.Earthen Clay
EX	.Espresso Metallic
EV	.Everglade Shade
FN	.Flannel
GZ	.Glitz Metallic
HJ	.Hazy Jade
HY	.Honey Bee
LG	.Light Tone
MG	.Mardi Gras
MY	.Misty Brown
NE	.Nemo
ND	.Nordic
PH	.Purple Haze
RK	.Rubber Ducky
SA	.Sand
SX	.Starlight Silver Metallic
SP	.Surf's Up
TI	.Twilight Shadow
UB	.Ultra Blue
WG	.Warm Grey
ZL	.Zesty Lime

When frame color is chrome, the back support matches seat and back color.

Seat and Back Color - Polypropylene

PBL	.Black
PGR	.Blue Grey
PCG	.Cool Grey
PCO	.Cottonwood
PEY	.Earthen Clay
PEV	.Everglade Shade
PFN	.Flannel
PHJ	.Hazy Jade
PHY	.Honey Bee
PLG	.Light Tone
PMG	.Mardi Gras
PMY	.Misty Brown
PNE	.Nemo
PND	.Nordic
PPH	.Purple Haze
PRK	.Rubber Ducky
PSA	.Sand
PSP	.Surf's Up
PTI	.Twilight Shadow
PUB	.Ultra Blue
PWG	.Warm Grey
PZL	.Zesty Lime

Tablet Arm Color - Flip and Fold G-Tablet

LBQ	.Belair
LBT	.Biltmore Cherry
LBK	.Black
LBW	.Brighton Walnut
LCA	.Canyon Zephyr
LCO	.Castle Oak
LCU	.Casual Linen
LXZ	.Cherry Storm
LCL	.Classic Linen
LCL	.Cloud Zephyr
LCC	.Cocobala
LRI	.Crisp Linen
LDZ	.Desert Zephyr
LDG	.Dove Grey
LIL	.Fired Steel
LXF	.Flax Linen
LFC	.Florence Walnut
LOL	.Forged Steel
LFH	.Friston Ash
LFW	.Frosty White
LGN	.Graphite Nebula
LGE	.Grey
LHE	.High Rise
LHY	.Hollyberry
LIH	.Irish Linen
LID	.Island
LIT	.Italian Silver Ash
LKM	.Kensington Maple
LLB	.Lapis Blue
LMK	.Markerboard White
LMR	.Misted Zephyr
LMT	.Monticello Maple
LNV	.Nickel Evolv
LNA	.North Sea
LON	.Ocean
LPB	.Pearl Bisque
LPS	.Pearl Silver
LPR	.Pressed Linen
LRY	.River Cherry
LRG	.Rugged Linen
LSS	.Satin Stainless
LSR	.Shadow Zephyr
LSV	.Silicon evolv
LAZ	.Sterling Ash
LTL	.Tailored Linen
LTV	.Titanium evolv
LWL	.White Nebula
LWN	.White Sand
LWY	.Windsor Mahogany



TAPDNA



TAPDWA



TASPNA



TASPWA

FEATURES				
BACK FLEX	•	•	•	•
PNEUMATIC SEAT HEIGHT ADJUSTMENT	•	•	•	•
GENERAL DIMENSIONS				
SEAT WIDTH	17"	17"	17"	17"
SEAT DEPTH	18-1/2"	18-1/2"	18-1/2"	18-1/2"
SEAT HEIGHT	18" – 23"	18" – 23"	21" – 28-1/2"	21" – 28-1/2"
BACK WIDTH	17"	17"	17"	17"
BACK HEIGHT	16"	16"	23" – 33-1/2"	23" – 33-1/2"
OVERALL DIMENSIONS				
DEPTH	26-1/2"	26-1/2"	26-1/2"	26-1/2"
HEIGHT*	33-1/2" – 38-1/2"	33-1/2" – 38-1/2"	38-1/2" – 49"	38-1/2" – 49"
WIDTH	26-1/2"	26-1/2"	27-1/2"	27-1/2"
TOP OF ARM TO FLOOR		25" – 30"		28" – 35-1/2"

* Stools with polished aluminum base subtract 1-3/4"



	BASIC MODEL	BASE COLOR	MESH COLOR	CASTERS	NET PRICE
NAVIGATOR AIR TASK CHAIR • Torsion bar back flex • Contoured back lumbar • Improved air circulation • Pneumatic seat height adjustment • Mesh back • Upholstered seat	TAPDNA	□□	□□	□	\$254
NAVIGATOR AIR TASK CHAIR WITH ARMS • Torsion bar back flex • Contoured back lumbar • Improved air circulation • Pneumatic seat height adjustment • Mesh back • Upholstered seat	TAPDWA	□□	□□	□	\$271
NAVIGATOR AIR TASK STOOL • Torsion bar back flex • Contoured back lumbar • Improved air circulation • Silver foot ring • Pneumatic seat height adjustment • Mesh back • Upholstered seat	TASPNA	□□	□□	□	\$304
NAVIGATOR AIR TASK STOOL WITH ARMS • Torsion bar back flex • Contoured back lumbar • Improved air circulation • Silver foot ring • Pneumatic seat height adjustment • Mesh back • Upholstered seat	TASPWA	□□	□□	□	\$321
	1	2	3	4	

HOW TO ORDER

- Indicate the following information on the order form:
- Quantity of each item.
 - Model Number, including options. (See "How to Build a Model Number.")
 - Any special service required.

Note:
The □ indicates that a choice is required.

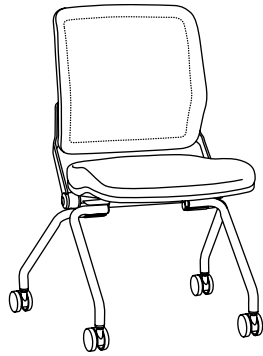
The absence of □ indicates that no choice is required.

HOW TO BUILD A MODEL NUMBER

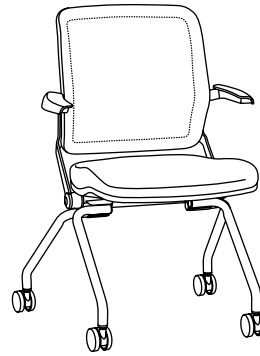
- Select Basic Model**
- Select Base Color**
BL - Black
AL - Polished Aluminum; add \$55
- Select Mesh Color**
BL - Black
GR - Grey
- Select Casters Option**
C - Carpet Casters
S - Hard Floor Casters

Select Fabric
Cards are available online and by request
[See ShopBCE](#)

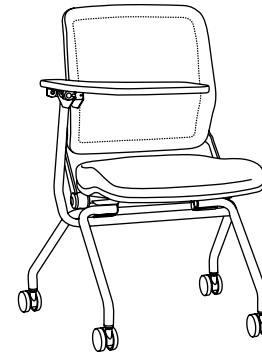




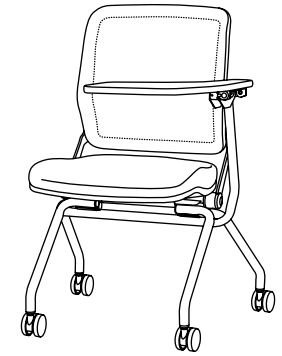
TANNA



TANWA

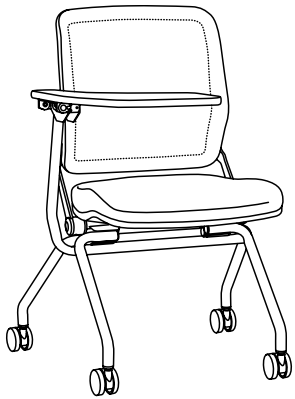


TANTARFT



TANTALFT

FEATURES				
BACK FLEX	•	•	•	•
FLIP-UP SEAT	•	•	•	•
NESTING	•	•	•	•
CASTERS	•	•	•	•
GENERAL DIMENSIONS				
SEAT WIDTH	17"	17"	17"	17"
SEAT DEPTH	18-1/2"	18-1/2"	18-1/2"	18-1/2"
SEAT HEIGHT	18"	18"	18"	18"
BACK WIDTH	17"	17"	17"	17"
BACK HEIGHT	16"	16"	16"	16"
OVERALL DIMENSIONS				
WIDTH	23-7/8"	23-7/8"	27"	27"
DEPTH	24-1/4"	24-1/4"	31"	31"
HEIGHT	33-1/2"	33-1/2"	33-1/2"	33-1/2"
TOP OF ARM TO FLOOR		24-7/8"	28"	28"
DEPTH OF NESTING (Two chairs)	28"	28"	35"	35"
DEPTH OF EACH ADDITIONAL CHAIR	7-1/2"	7-1/2"	7-1/2"	7-1/2"

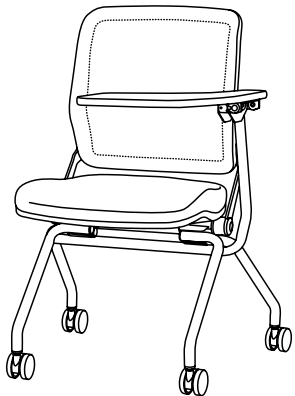


NAVIGATOR AIR NESTING CHAIR WITH

TABLET ARM

- Back flex
- Flip up seat
- Nesting
- Right flip tablet arm
- Mesh back
- Upholstered seat
- Glide option

FEATURES	BASIC MODEL	FRAME COLOR	MESH COLOR	CASTERS GLIDES	TABLET ARM COLOR	NET PRICE
Right	TANTARFT	□□	□□MH	□	□□□	\$350



NAVIGATOR AIR NESTING CHAIR WITH

TABLET ARM

- Back flex
- Flip up seat
- Nesting
- Left flip tablet arm
- Mesh back
- Upholstered seat
- Glide option

FEATURES	BASIC MODEL	FRAME COLOR	MESH COLOR	CASTERS GLIDES	TABLET ARM COLOR	NET PRICE
Left	TANTALFT	□□	□□MH	□	□□□	\$350

- 1
- 2
- 3
- 4
- 5

HOW TO ORDER

- Indicate the following information on the order form:
1. Quantity of each item.
 2. Model Number, including options.
(See "How to Build a Model Number.")
 3. Any special service required.

Note:
The □ indicates that a choice is required.

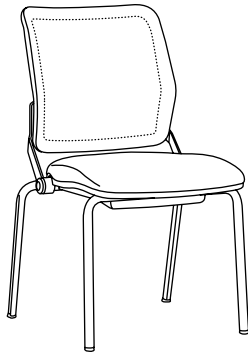
The absence of □ indicates that no choice is required.

HOW TO BUILD A MODEL NUMBER

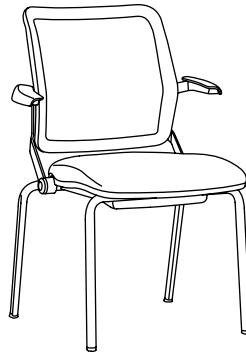
- 1 **Select Basic Model**
- 2 **Select Frame Color**
[See End of Section for Finish Options](#)
- 3 **Select Mesh Color**
BLMH - Black
GRMH - Grey
- 4 **Select Caster/Glides Option**
C - Carpet Casters
S - Hard Floor Casters
G - Bell Glides

- 5 **Select Tablet Color (Laminate)**
See End of Section for Finish Options

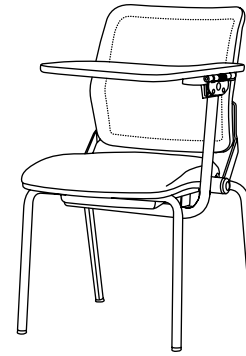
Select Fabric
Cards are available online and by request
[See ShopBCE](#)



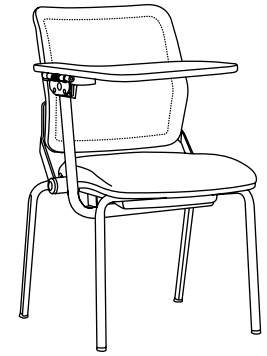
TALNA



TALWA

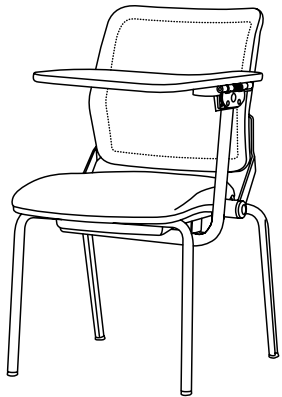


TALTAL



TALTAR

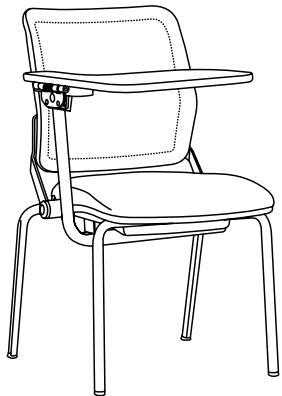
FEATURES				
BACK FLEX	•	•	•	•
STACKING	•	•		
GENERAL DIMENSIONS				
SEAT WIDTH	17"	17"	17"	17"
SEAT DEPTH	18-1/2"	18-1/2"	18-1/2"	18-1/2"
SEAT HEIGHT	18"	18"	18"	18"
BACK WIDTH	17"	17"	17"	17"
BACK HEIGHT	16"	16"	16"	16"
OVERALL DIMENSIONS				
WIDTH	21"	23-1/2"	23"	23"
DEPTH	23-3/4"	23-3/4"	29-3/4"	29-3/4"
HEIGHT	34"	34"	34"	34"
TOP OF ARM TO FLOOR		25-1/2"	28"	28"
STACKING ON DOLLY				
QUANTITY / HEIGHT	5 Chairs / 55" High	5 Chairs / 55" High		
FLOOR SPACE	22-1/2" x 25-1/2"	23-1/2" x 25-1/2"		
STACKING ON FLOOR				
QUANTITY / HEIGHT	4 Chairs / 45" High	4 Chairs / 45" High		
FLOOR SPACE	21" x 32"	23-1/2" x 32"		



NAVIGATOR AIR 4-LEG CHAIR WITH

TABLET ARM

- Torsion bar back flex
- Flip up laminate left tablet arm
- Upholstered seat
- Breathable mesh back



NAVIGATOR AIR 4-LEG CHAIR WITH

TABLET ARM

- Torsion bar back flex
- Flip up laminate right tablet arm
- Upholstered seat
- Breathable mesh back

FEATURES	BASIC MODEL	FRAME COLOR	MESH COLOR	GLIDES	TABLET ARM COLOR	NET PRICE
Left	TALTAL	□□	□□MH	□	L□□	\$313
Right	TALTAR	□□	□□MH	□	L□□	\$313

- 1
- 2
- 3
- 4
- 5

HOW TO ORDER

Indicate the following information on the order form:

1. Quantity of each item.
2. Model Number, including options.
(See "How to Build a Model Number.")
3. Any special service required.

Note:
The □ indicates that a choice is required.

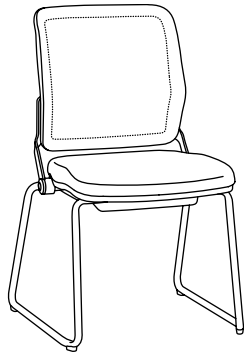
The absence of □ indicates that no choice is required.

HOW TO BUILD A MODEL NUMBER

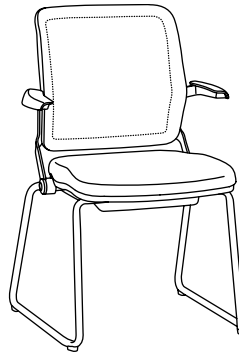
- 1 **Select Basic Model**
- 2 **Select Frame Color**
[See End of Section for Finish Options](#)
- 3 **Select Mesh Color**
BLMH - Black
GRMH - Grey
- 4 **Select Glides Option**
P - Plastic Glides
S - Stainless Steel Glides
- 5 **Select Tablet Arm Color (Laminate)**
[See End of Section for Finish Options](#)

Select Fabric
Cards are available online and by request
[See ShopBCE](#)

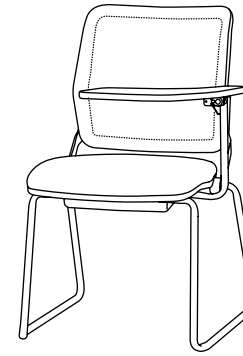




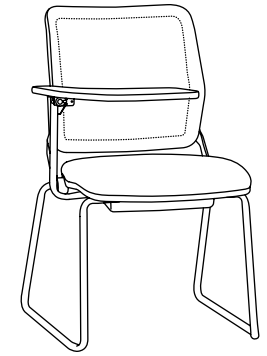
TASNA



TASWA

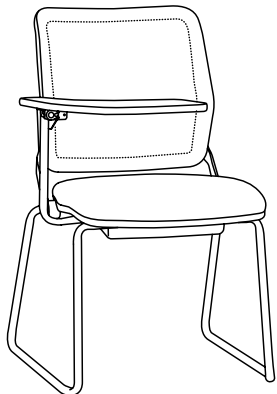
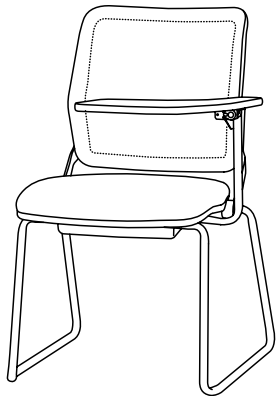


TASTAL



TASTAR

FEATURES				
BACK FLEX	•	•	•	•
STACKING	•	•		
GENERAL DIMENSIONS				
SEAT WIDTH	17"	17"	17"	17"
SEAT DEPTH	18-1/2"	18-1/2"	18-1/2"	18-1/2"
SEAT HEIGHT	18"	18"	18"	18"
BACK WIDTH	17"	17"	17"	17"
BACK HEIGHT	16"	16"	16"	16"
OVERALL DIMENSIONS				
WIDTH	21"	23-1/2"	23"	23"
DEPTH	23-3/4"	23-3/4"	29-3/4"	29-3/4"
HEIGHT	34"	34"	34"	34"
TOP OF ARM TO FLOOR		25-1/2"	28"	28"
STACKING ON DOLLY				
QUANTITY / HEIGHT	5 Chairs / 55" High	5 Chairs / 55" High		
FLOOR SPACE	22-1/2" x 25-1/2"	23-1/2" x 25-1/2"		
STACKING ON FLOOR				
QUANTITY / HEIGHT	4 Chairs / 45" High	4 Chairs / 45" High		
FLOOR SPACE	21" x 32"	23-1/2" x 32"		



NAVIGATOR AIR SLED BASE CHAIR WITH

TABLET ARM

- Torsion bar back flex
- Upholstered seat
- Flip up tablet arm
- Breathable mesh back

FEATURES	BASIC MODEL	FRAME COLOR	MESH COLOR	GLIDES	TABLET ARM COLOR	NET PRICE
Left	TASTAL	□□	□□MH	G□□	L□□	\$355

NAVIGATOR AIR SLED BASE CHAIR WITH

TABLET ARM

- Torsion bar back flex
- Upholstered seat
- Flip up tablet arm
- Breathable mesh back

FEATURES	BASIC MODEL	FRAME COLOR	MESH COLOR	GLIDES	TABLET ARM COLOR	NET PRICE
Right	TASTAR	□□	□□MH	G□□	L□□	\$355

1

2

3

4

5

HOW TO ORDER

- Indicate the following information on the order form:
1. Quantity of each item.
 2. Model Number, including options.
(See "How to Build a Model Number.")
 3. Any special service required.

Note:
The □ indicates that a choice is required.

The absence of □ indicates that no choice is required.

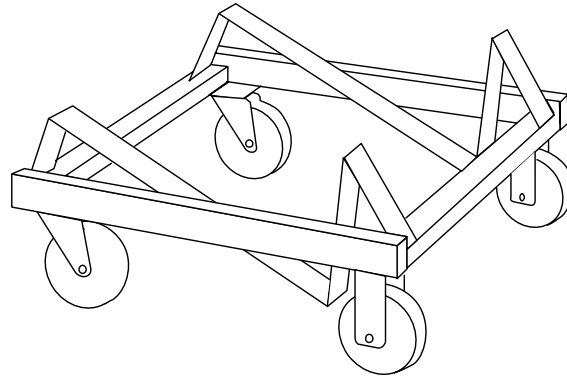
HOW TO BUILD A MODEL NUMBER

- 1 Select Basic Model
- 2 Select Frame Color
[See End of Section for Finish Options](#)
- 3 Select Mesh Color
BLMH - Black
GRMH - Grey
- 4 Select Glides Option
GBL - Plastic Glides
GNM - Non - Marring Glides
GNS - Non - Skid Glides
GSS - Stainless Steel Glides

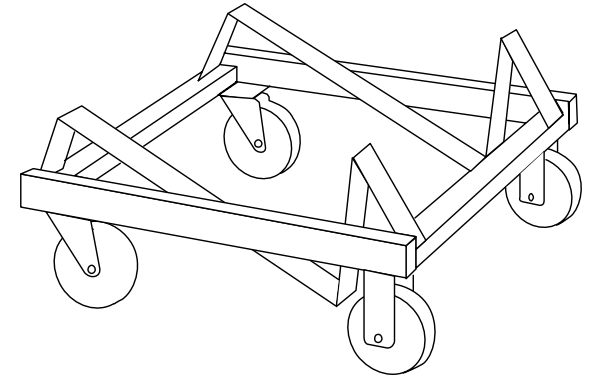
- 5 Select Tablet Arm Color (Laminate)
See End of Section for Finish Options

Select Fabric
Cards are available online and by request
[See ShopBCE](#)

+



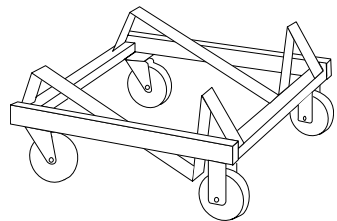
TVD-BL



TLD-BL

OVERALL DIMENSIONS

WIDTH	22-1/2"	22-1/2"
DEPTH	25-1/2"	25-1/2"
HEIGHT	12"	12"



TRANSPORT DOLLY FOR SLED BASE CHAIRS

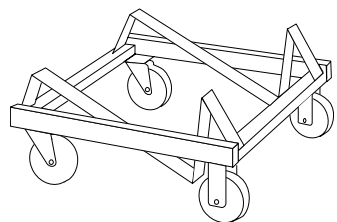
- Accommodates up to 5 chairs
- For Navigator Air stacking sled base chairs only
- 5" casters; two fixed, two swivel
- Comes in black only

BASIC MODEL

NET PRICE

TVD-BL

\$205



TRANSPORT DOLLY FOR FOUR-LEG CHAIRS

- Accommodates up to 5 chairs
- For Navigator Air stacking four-leg chairs only
- 5" casters; two fixed, two swivel
- Comes in black only

TLD-BL

\$205

①

HOW TO ORDER

HOW TO BUILD A MODEL NUMBER

+

Indicate the following information on the order form:

1. Quantity of each item.
2. Model Number, including options.
(See "How to Build a Model Number.")
3. Any special service required.

① **Select Basic Model**

Note:

The indicates that a choice is required.

The absence of indicates that no choice is required.

Frame Color	
BL	Black
GR	Blue Grey
ZM	Bronze Metallic
CY	Cayenne
CM	Champagne Metallic
CH	Chrome
CG	Cool Grey
CO	Cottonwood
EY	Earthen Clay
EX	Espresso Metallic
EV	Everglade Shade
FN	Flannel
GZ	Glitz Metallic
HJ	Hazy Jade
HY	Honey Bee
LG	Light Tone
MG	Mardi Gras
MY	Misty Brown
NE	Nemo
ND	Nordic
PH	Purple Haze
RK	Rubber Ducky
SA	Sand
SX	Starlight Silver Metallic
SP	Surf's Up
TI	Twilight Shadow
UB	Ultra Blue
WG	Warm Grey
ZL	Zesty Lime

Tablet Arm Color - Flip and Fold G-Tablet

LBQ	Belair
LBT	Biltmore Cherry
LBK	Black
LBW	Brighton Walnut
LCA	Canyon Zephyr
LCO	Castle Oak
LCU	Casual Linen
LX	Cherry Storm
LCL	Classic Linen
LCL	Cloud Zephyr
LCC	Cocobala
LRI	Crisp Linen
LDZ	Desert Zephyr
LDG	Dove Grey
LIL	Fired Steel
LXF	Flax Linen
LFC	Florence Walnut
LOL	Forged Steel
LFH	Friston Ash
LFW	Frosty White
LGN	Graphite Nebula
LGE	Grey
LHE	High Rise
LHY	Hollyberry
LIH	Irish Linen
LID	Island
LIT	Italian Silver Ash
LKM	Kensington Maple
LLB	Lapis Blue
LMK	Markerboard White
LMR	Misted Zephyr
LMT	Monticello Maple
LNV	Nickel Evolv
LNA	North Sea
LON	Ocean
LPB	Pearl Bisque
LPS	Pearl Silver
LPR	Pressed Linen
LRY	River Cherry
LRG	Rugged Linen
LSS	Satin Stainless
LSR	Shadow Zephyr
LSV	Silicon evolv
LAZ	Sterling Ash
LTL	Tailored Linen
LTV	Titanium evolv
LWL	White Nebula
LWN	White Sand
LWY	Windsor Mahogany



NLC2020



NLC2020D



NLC2020-DS

FEATURES			
WELDED MECHANISM	•	•	•
FOAM COVERED BACK	•	•	•

GENERAL DIMENSIONS			
SEAT WIDTH	20"	20"	20"
SEAT DEPTH (SACRAL)	18" – 20.5"	18" – 20.5"	18" – 20.5"
SEAT DEPTH (LUMBAR)	16.9" – 19.5"	16.9" – 19.5"	
SEAT HEIGHT	16.5" – 21"	16.5" – 21"	23" – 30"
BACK HEIGHT	23.5"	31" – 33"	23.5"
BACK HEIGHT WITH ADJ. HEADREST	N/A	33" – 35"	
BACK WIDTH	19.5"	16" – 19.5"	19.5"
ARM WIDTH	21"	21"	21"
ARM HEIGHT	8.5"	8.5"	8.5"

OVERALL DIMENSIONS			
WIDTH	26"	26"	26"
DEPTH	25"	25"	20" – 22.5"
HEIGHT	38" – 42.5"	47" – 52.5"	44" – 51.5"



NLC MID BACK CONFERENCE CHAIR

- Height adjustable
- 5-prong, heavy-duty aluminum base
- Built in height adjustable lumbar support
- Newton synchro-tilt mechanism
- Closed loop, polished aluminum arms with poly arm pad shown. Other arm options available.
- 2.5" carpet casters standard
- 350 lb. rating

BASIC MODEL	FOAM OPTION	ARMS	CASTERS	NET PRICE
NLC2020	□□	□□	□□□	\$824



NLC HIGH BACK CONFERENCE CHAIR

- Height adjustable
- 5-prong, heavy-duty aluminum base
- Height-adjustable, ergonomically shaped headrest
- Built in height adjustable lumbar support
- Newton synchro-tilt mechanism
- Closed loop, polished aluminum arms with poly arm pad shown. Other arm options available.
- 2.5" carpet casters standard
- 350 lb. rating

BASIC MODEL	FOAM OPTION	ARMS	CASTERS	NET PRICE
NLC2020D	□□	□□	□□□	\$855



NLC TASK STOOL

- Height adjustable
- 5-prong, heavy-duty aluminum base
- Built in height adjustable lumbar support
- Newton synchro-tilt mechanism
- Swivel mechanism with pneumatic height adjustment
- Height adjustable, heavy-duty foot ring
- 8" gas lift
- 2.5" carpet casters standard
- 350 lb. rating
- Polished aluminum Flip-up arms

BASIC MODEL	FOAM OPTION	ARMS	CASTERS	NET PRICE
NLC2020-DS	□□	FL	□□□	\$845

1

2

3

4

HOW TO ORDER

- Indicate the following information on the order form:
1. Quantity of each item.
 2. Model Number, including options. (See "How to Build a Model Number.")
 3. Any special service required.

Note:
The □ indicates that a choice is required.

The absence of □ indicates that no choice is required.

HOW TO BUILD A MODEL NUMBER

- 1 Select Basic Model**
- 2 Select Foam Option**
HD - High density molded foam
E - Enersorb foam; **add \$19**
- 3 Select Arm Option**
A - 4d adjustable arm (polished aluminum); **add \$19**
FL - Flip - up arms (polished aluminum); **add \$19**
LA - Loop arms (polished aluminum)

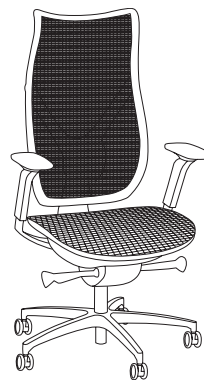
- 4 Select Casters Option (LG & TC3 not available for stool)**
C - 2.5" Translucent Carpet Casters
S - 2.5" Hard Surface Casters
LG - 3" Carpet Casters; **add \$30**
TC3 - 3" Hard Surface Casters; **add \$52**

Select Fabric
Cards are available online and by request
[See ShopBCE](#)

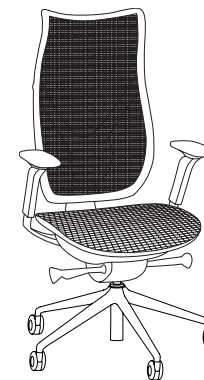
+



201-OB-74C-ONA1-27BB-16SCG-OLUM1



203-OB-67C-ONA1-18BB-16H-OLUM1



203-OB-67C-ONA1-27BB-16CG-SL1-OLUM1

FEATURES

Mid-Back	•		
High-Back		•	•
Auto-adjust body balance control mechanism	•		
Quick adjust advanced synchro control for ideal posture		•	•
6D black height adjustable arms with pivoting armrests	•	•	•
Black nylon high-profile 5-star swivel base	•		•
Black dipped nylon low-profile 5-star swivel base		•	
Black carpet casters		•	
Grey-black all floor casters & safety brake	•		•
Lumbar support	•	•	•

GENERAL DIMENSIONS

SEAT TO FLOOR	20.0" — 24.1"	15.8" — 21.1"	19.4" — 24.0"
LUMBAR ZONEw	17.2" — 17.9"	17.2" — 17.9"	17.2" — 17.9"
BACKREST HEIGHT	27.0"	31"	31"
SEAT DEPTH	18.4"	18.1" — 20"	18.5" — 20.2"
ARMREST LENGTH	8.3"	8.3"	8.3"
ARMREST HEIGHT	7.5" — 9.8"	7.5" — 9.8"	7.5" — 9.8"
ARMREST WIDTH	19-1/2"	19-1/2"	23-1/2"
WIDTH BETWEEN ARMREST	19.1"	19.1"	19.1"

OVERALL DIMENSIONS

WIDTH	20.3"	20.3"	20.3"
DEPTH	27.0"	27.0"	27.5"
HEIGHT	44.5" — 49.0"	45.8" — 50.1"	46.8" — 51.4"



- ONDA MID-BACK TASK CHAIR**
- All Mesh with black frame
 - Auto-adjust body balance control
 - 6D black height adjustable arms with pivoting armrests
 - Black nylon high-profile 5-star swivel base with grey-black all floor casters and safety brake.
 - Lumbar support

BASIC MODEL	MESH COLOR	NET PRICE
201-OB-74C-ONA1-27BB-16SCG-OLUM1	□□O	\$714



- ONDA HIGH-BACK TASK CHAIR**
- All Mesh with black frame
 - Quick adjust advanced synchro control with seat depth adjustment Back height and seat depth adjustment
 - 6D black height adjustable arms with pivoting armrests
 - Black dipped nylon low-profile 5-star swivel base with black carpet casters
 - Lumbar support

BASIC MODEL	MESH COLOR	NET PRICE
203-OB-67C-ONA1-18BB-16H-OLUM1	□□O	\$817



- ONDA HIGH-BACK TASK CHAIR**
- All Mesh with black frame
 - Quick adjust advanced synchro control with seat depth adjustment
 - 6D black height adjustable arms with pivoting armrests
 - Black nylon high-profile 5-star swivel base with grey-black all floor casters and safety brake
 - Lumbar support

BASIC MODEL	MESH COLOR	NET PRICE
203-OB-67C-ONA1-27BB-16CG-SL1-OLUM1	□□O	\$823

1

2

HOW TO ORDER

- Indicate the following information on the order form:
1. Quantity of each item.
 2. Model Number, including options. (See "How to Build a Model Number.")
 3. Any special service required.

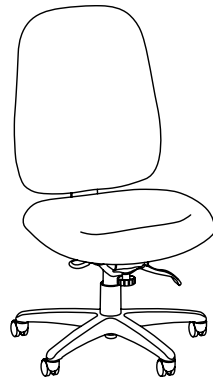
Note:
The □ indicates that a choice is required.

The absence of □ indicates that no choice is required.

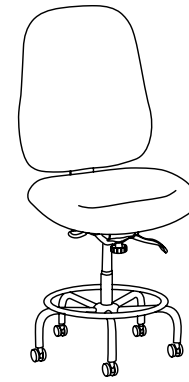
HOW TO BUILD A MODEL NUMBER

- 1 Select Basic Model
- 2 Select Mesh Color
 - 010 - Black
 - 020 - Nickel
 - 030 - Silver
 - 040 - Sky Blue
 - 050 - Red
 - 110 - Natural Copper
 - 120 - Black Copper

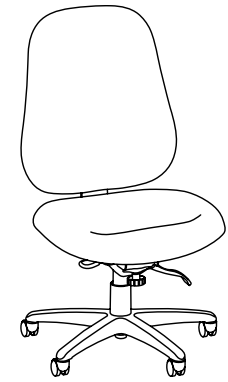
+



PLTTSK

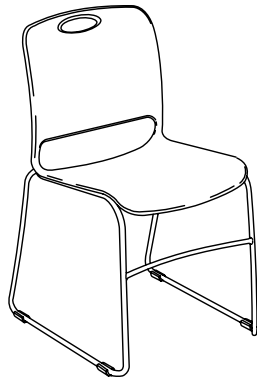


PLTSTL



PILOTXL

FEATURES			
ADJUSTABLE BACK ANGLE	•	•	•
EXTRA WIDE SEAT	•	•	•
SEAT DEPTH ADJUSTMENT	•	•	•
BACK HEIGHT ADJUSTMENT	•	•	•
WARRANTED TO 400 LBS & 24/7 USE	•	•	•
GENERAL DIMENSIONS			
SEAT WIDTH	22"	22"	24"
SEAT DEPTH	18" – 20-1/2"	18" – 20-1/2"	17" – 19-1/2"
SEAT HEIGHT	17" – 21"	23" – 29-1/2"	18" – 23"
BACK WIDTH	19-1/2"	19-1/2"	23-1/2"
BACK HEIGHT (ABOVE SEAT)	22"	22"	25"
OVERALL DIMENSIONS			
WIDTH	26.5"	26.5	26.5"
HEIGHT	39" – 47"	46" – 59"	43" – 52"



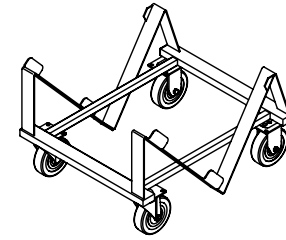
MS



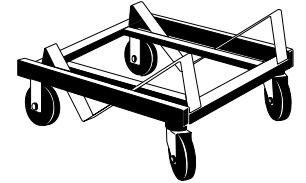
MS-X-S



MS-X-SB



CSD-BL



MFSD-BL

FEATURES					
POLYPROPYLENE SEAT AND BACK	•				
POLY BACK AND UPHOLSTERED SEAT		•			
UPHOLSTERED SEAT AND BACK			•		
GENERAL DIMENSIONS					
SEAT WIDTH	18"	18"	18"		
SEAT DEPTH	17-1/2"	17-1/2"	17-1/2"		
SEAT HEIGHT	17-1/2"	18"	18"		
FLOOR TO BACK HEIGHT	31-1/2"	31-1/2"	31-1/2"		
OVERALL DIMENSIONS					
WIDTH	19-1/4"	19-1/4"	19-1/4"	22-3/8"	22-3/8"
DEPTH	21-1/4"	21-1/4"	21-1/4"	25-5/8"	25-5/8"
GANGING ON CENTER	20"	20"	20"		
STACKING ON DOLLY					
WIDTH	23"	23"	23"		
DEPTH	42"	42"	42"		
HEIGHT	38 Chairs / 80" high	38 Chairs / 80" high	38 Chairs / 80" high		
STACKING ON FLOOR					
HEIGHT	19-1/4"	19-1/4"	19-1/4"		
DEPTH	31"	31"	31"		
QUANTITY / HEIGHT	10 Chairs / 38-3/4" High	10 Chairs / 38-3/4" High	10 Chairs / 38-3/4" High		



PIPER ARMLESS STACK CHAIR
 • Water resistant color infused polypropylene seat and back
 • Multiple glide and ganging options
 • Stacking

BASIC MODEL	GLIDE OPTION	BACK TYPE	FRAME COLOR	SEAT & BACK COLOR	NET PRICE
MS	□□		□□	P□□	\$62



PIPER ARMLESS FIXED SEAT AND POLY BACK CHAIR
 • Water resistant color infused polypropylene back
 • Upholstered seat
 • Multiple glide and ganging options
 • Stacking

BASIC MODEL	GLIDE OPTION	BACK TYPE	FRAME COLOR	SEAT & BACK COLOR	NET PRICE
MS	□□	S	□□	P□□	\$112



PIPER ARMLESS FIXED SEAT AND BACK CHAIR
 • Upholstered seat and back
 • Multiple glide and ganging options
 • Stacking

BASIC MODEL	GLIDE OPTION	BACK TYPE	FRAME COLOR	SEAT & BACK COLOR	NET PRICE
MS	□□	SB	□□	P□□	\$159

1

2

3

4

5

HOW TO ORDER

Indicate the following information on the order form:
 1. Quantity of each item.
 2. Model Number, including options.
 (See "How to Build a Model Number.")
 3. Any special service required.

Note:
 The □ indicates that a choice is required.

The absence of □ indicates that no choice is required.

HOW TO BUILD A MODEL NUMBER

1 Select Basic Model

2 Select Glides Option

- NG - No Glides
- H - Polycarb Glides; **add \$4**
- NS - PVC Non - Skid Glides; **add \$4**
- S - Stainless Steel Glides; **add \$4**
- G - Ganging Only Poly Glides; **add \$4**
- GS - Ganging Steel Glides **add \$4**
- F - Replaceable Felt Glides **add \$4**

3 Select Back Type

4 Select Frame Color

- AV - Antique Vein
- BL - Black
- GR - Blue Grey
- ZM - Bronze Metallic
- CY - Cayenne
- MY - Misty Brown
- CH - Chrome
- EV - Everglade Shade
- CG - Cool Grey
- CO - Cottonwood
- EX - Espresso Metallic
- FN - Flannel
- HJ - Hazy Jade
- LG - Light Tone
- MG - Mardi Gras
- CM - Champagne Metallic
- NK - Nickel Vein
- NE - Nemo
- ND - Nordic
- PR - Poppy Red
- PH - Purple Haze
- RK - Rubber Ducky
- SA - Sand
- SK - Sky Blue
- EY - Earthen Clay
- SX - Starlight Silver
- SP - Surf's Up
- WG - Warm Grey Metallic
- TI - Twilight Shadow
- UB - Ultra Blue
- ZL - Zesty Lime

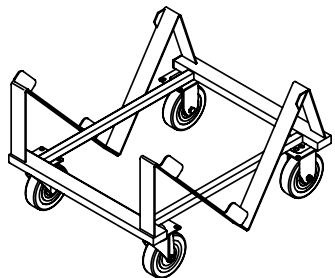
5 Select Seat And Back Color

- BL - Black
- GR - Blue Grey
- SA - Sand
- LG - Light Tone
- EY - Earthen Clay
- CG - Cool Grey
- CY - Cayenne
- NE - Nemo
- PH - Purple Haze
- SK - Sky Blue
- UB - Ultra Blue
- HJ - Hazy Jade
- FN - Flannel
- CO - Cottonwood
- ND - Nordic
- EV - Everglade Shade
- MG - Mardi Gras
- TI - Twilight Shadow
- MY - Misty Brown
- PR - Poppy Red
- RK - Rubber Ducky
- SP - Surf's Up
- ZL - Zesty Lime
- WG - Warm Grey

Select Fabric

Cards are available online and by request

[See ShopBCE](#)



TRANSPORT DOLLY FOR PIPER

POLYPROPYLENE STACKING CHAIR

- Move up to 38 Polypropylene Piper chairs at one time
- Easy maneuverability with 5" casters; two fixed, two swivel
- Black powder-coat finish

BASIC MODEL

NET PRICE

CSD-BL

\$205

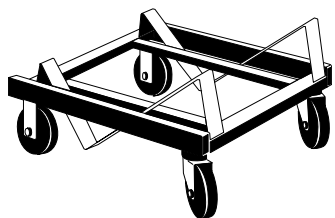
TRANSPORT DOLLY FOR PIPER

UPHOLSTERED STACKING CHAIR

- Move up to 15 Upholstered Piper chairs at one time
- Easy maneuverability with 5" casters; two fixed, two swivel
- Black powder-coat finish

MFSD-BL

\$205



1

HOW TO ORDER

HOW TO BUILD A MODEL NUMBER

+

Indicate the following information on the order form:

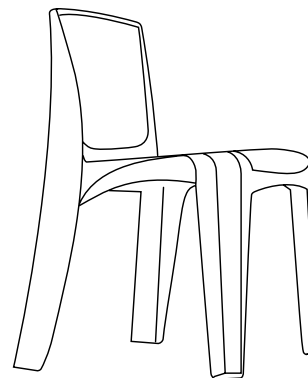
1 Select Basic Model

1. Quantity of each item.
2. Model Number, including options.
(See "How to Build a Model Number.")
3. Any special service required.

Note:

The indicates that a choice is required.

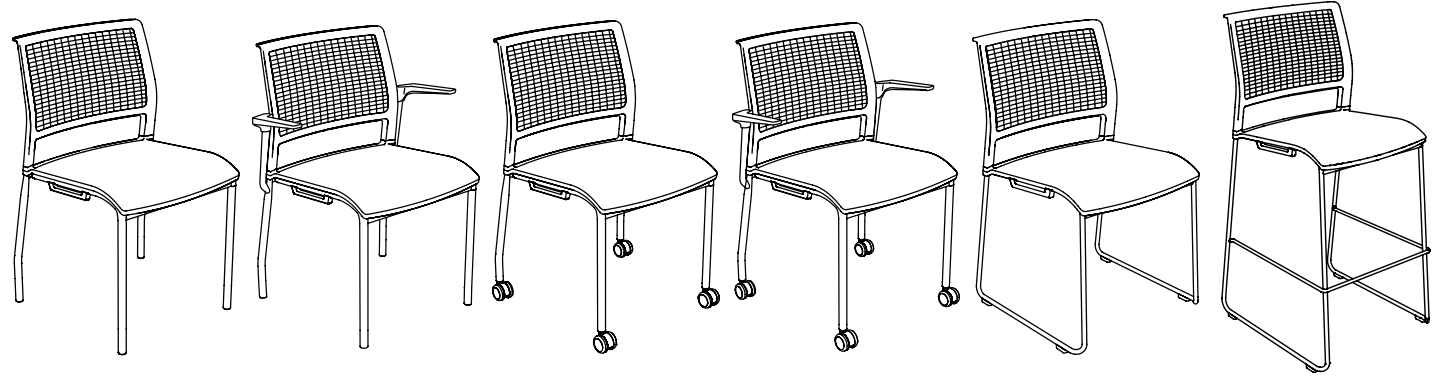
The absence of indicates that no choice is required.



86484

OVERALL DIMENSIONS

WIDTH	21"
DEPTH	21"
HEIGHT	30"
SEAT HEIGHT	18-1/2"
SEAT DEPTH	17-1/2"
WEIGHT	8-1/4 lbs



O4LNAPSMB

O4LWAPSMB

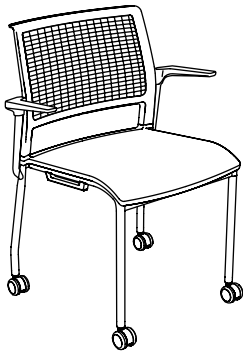
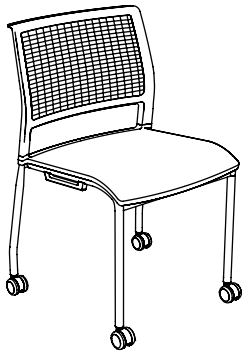
O4LNAPSMBC

O4LWAPSMBC

O4PSMB

O4SPSMB

FEATURES						
STACKABLE	•	•	•	•	•	•
GANGING					•	•
MESH, POLY OR UPHOLSTERED SEAT AND BACK	•	•	•	•	•	•
GENERAL DIMENSIONS						
SEAT WIDTH	17 -1/2"	17 -1/2"	17 -1/2"	17 -1/2"	17 -1/2"	17 -1/2"
SEAT DEPTH	17-3/4"	17-3/4"	17-3/4"	17-3/4"	17-3/4"	17-3/4"
SEAT HEIGHT	17-3/4"	17-3/4"	17-3/4"	17-3/4"	17-3/4"	28-3/8"
OVERALL DIMENSIONS						
WIDTH	20-1/2"	24-5/8"	20-1/2"	24-5/8"	19-3/4"	20-1/8"
DEPTH	21-13/16"	21-13/16"	21-13/16"	21-13/16"	21-13/16"	23"
HEIGHT	32-3/16"	32-3/16"	32-3/16"	32-3/16"	32-3/16"	42"
STACKING ON DOLLY						
OVERALL WIDTH	22-1/2"	22-1/2"	N/A	N/A	22-3/8"	24"
OVERALL DEPTH	37"	37"	N/A	N/A	38-1/4"	38-1/4"
QUANTITY/HEIGHT	15 CHAIRS/68"	15 CHAIRS/68"	N/A	N/A	38 CHAIRS/80"	30 STOOLS/80"
STACKING ON FLOOR						
QUANTITY/HEIGHT	6 CHAIRS/43-1/2"	6 CHAIRS/43-1/2"	6 CHAIRS/43-1/2"	6 CHAIRS/43-1/2"	10 CHAIRS/40-1/4"	8 STOOLS/48-1/2"



RIGGER4 FOUR-LEG ARMLESS CHAIR WITH

CASTERS

- Stacking (Caution should be used if stacking to prevent casters from damaging chair and frame)
- Stacking on dollies NOT recommended
- 350 lb. weight rating
- Stacking bumper
- Poly seat/mesh back shown

CHAIR TYPE	BASIC MODEL	FRAME COLOR	POLY-MESH SEAT & BACK COLOR	CASTER OPTION	NET PRICE
Poly Seat and Back	O4LNAPSPBC	□□	04□□	□	\$170
Poly Seat and Mesh Back	O4LNAPSMBC	□□	04□□	□	\$198
Mesh Seat and Poly Back	O4LNAMSPBC	□□	04□□	□	\$192
Mesh Seat and Mesh Back	O4LNAMSMBC	□□	04□□	□	\$220
Upholstered Seat and Poly Back	O4LNAUSPBC	□□	04□□	□	\$224
Upholstered Seat and Mesh Back	O4LNAUSMBC	□□	04□□	□	\$255

RIGGER4 FOUR-LEG ARM CHAIR WITH

CASTERS

- Stacking (Caution should be used if stacking to prevent casters from damaging chair and frame)
- Stacking on dollies NOT recommended
- 350 lb. weight rating
- Stacking bumper
- Poly seat/mesh back shown

CHAIR TYPE	BASIC MODEL	FRAME COLOR	POLY-MESH SEAT & BACK COLOR	CASTER OPTION	NET PRICE
Poly Seat and Back	O4LWAPSPBC	□□	04□□	□	\$205
Poly Seat and Mesh Back	O4LWAPSMBC	□□	04□□	□	\$233
Mesh Seat and Poly Back	O4LWAMSPBC	□□	04□□	□	\$227
Mesh Seat and Mesh Back	O4LWAMSMBC	□□	04□□	□	\$255
Upholstered Seat and Poly Back	O4LWAUSPBC	□□	04□□	□	\$259
Upholstered Seat and Mesh Back	O4LWAUSMBC	□□	04□□	□	\$290

1 2 3 4

HOW TO ORDER

Indicate the following information on the order form:

1. Quantity of each item.
2. Model Number, including options. (See "How to Build a Model Number.")
3. Any special service required.

Note:

The □ indicates that a choice is required.

The absence of □ indicates that no choice is required.

HOW TO BUILD A MODEL NUMBER

1 Select Basic Model

2 Select Frame Color

- AV - Antique Vein
- BL - Black
- GR - Blue Grey
- CH - Chrome
- CG - Cool Grey
- EY - Earthen Clay
- FN - Flannel
- LG - Light Tone
- MG - Mardi Gras
- MY - Misty Brown
- TI - Twilight Shadow
- ZL - Zesty Lime
- NK - Nickel Vein
- ND - Nordic
- PH - Purple Haze
- RK - Rubber Ducky
- SA - Sand
- EV - Everglade Shade
- SP - Surf's Up
- UB - Ultra Blue
- WG - Warm Grey
- NE - Nemo
- HJ - Hazy Jade

3 Select Poly-Mesh Seat & Back Color

- O4BL - Black
- O4SG - Stone Grey
- O4WH - White

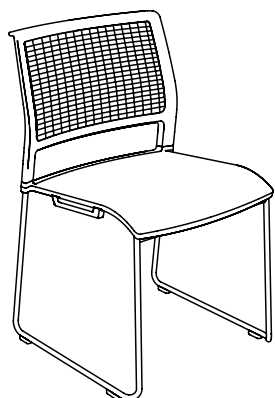
4 Select Caster Option

- C - Carpet Casters
- S - Soft Wheel Casters

5 Select Fabric (Upholstered Option Only)

Cards are available online and by request

[See ShopBCE](#)



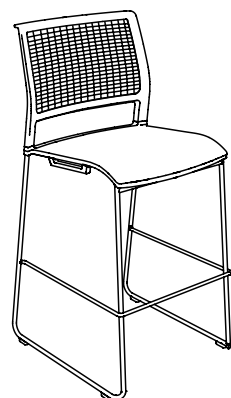
RIGGER4 HIGH DENSITY STACKING CHAIR,

SLED BASE

- Stacking
- 350 lb. weight rating
- Ganging
- Poly seat/mesh back shown

CHAIR TYPE	BASIC MODEL	SEAT HEIGHT	FRAME COLOR	POLY/MESH SEAT & BACK COLOR	GLIDE OPTION	NET PRICE
Poly Seat and Back	O4PSPB		□□	04□□	□□	\$133
Poly Seat and Mesh Back	O4PSMB		□□	04□□	□□	\$161
Mesh Seat and Poly Back	O4MSPB		□□	04□□	□□	\$155
Mesh Seat and Mesh Back	O4MSMB		□□	04□□	□□	\$183
Upholstered Seat and Poly Back	O4USPB		□□	04□□	□□	\$205
Upholstered Seat and Mesh Back	O4USMB		□□	04□□	□□	\$233

CHAIR TYPE	BASIC MODEL	SEAT HEIGHT	FRAME COLOR	POLY/MESH SEAT & BACK COLOR	GLIDE OPTION	NET PRICE
Poly Seat and Back	O4SPSPB	□□	□□	04□□	□□	\$204
Poly Seat and Mesh Back	O4SPSMB	□□	□□	04□□	□□	\$229
Mesh Seat and Poly Back	O4SMSPB	□□	□□	04□□	□□	\$226
Mesh Seat and Mesh Back	O4SMSMB	□□	□□	04□□	□□	\$253
Upholstered Seat and Poly Back	O4SUSPB	□□	□□	04□□	□□	\$223
Upholstered Seat and Mesh Back	O4SUSMB	□□	□□	04□□	□□	\$303



RIGGER4 CAFE STOOL

- Stacking
- 350 lb. weight rating
- Stacking bumper
- Poly seat/mesh back shown

1 2 3 4 5

HOW TO ORDER

- Indicate the following information on the order form:
1. Quantity of each item.
 2. Model Number, including options. (See "How to Build a Model Number.")
 3. Any special service required.

Note:
The □ indicates that a choice is required.

The absence of □ indicates that no choice is required.

HOW TO BUILD A MODEL NUMBER

- 1 Select Basic Model**
- 2 Select Seat Height**
24 - 24"
30 - 30": add \$3

- 3 Select Frame Color**
AV - Antique Vein
BL - Black
GR - Blue Grey
CH - Chrome
CG - Cool Grey
EY - Earthen Clay
FN - Flannel
LG - Light Tone
MG - Mardi Gras
MY - Misty Brown
TI - Twilight Shadow
ZL - Zesty Lime

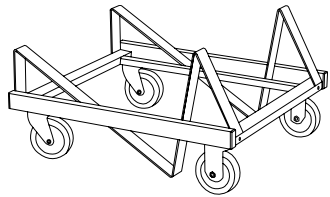
- NK - Nickel Vein
- ND - Nordic
- PH - Purple Haze
- RK - Rubber Ducky
- SA - Sand
- EV - Everglade Shade
- SP - Surf's Up
- UB - Ultra Blue
- WG - Warm Grey
- NE - Nemo
- HJ - Hazy Jade

- 4 Select Poly/Mesh Seat & Back Color**
O4BL - Black
O4SG - Stone Grey
O4WH - White

- 5 Select Glides Option (stone grey Color Only)**
G - Nylon glides, ganging
NG - Nylon glides, non - ganging
S - Steel glides, non - ganging
NS - PVC/Non - skid glides, non - ganging

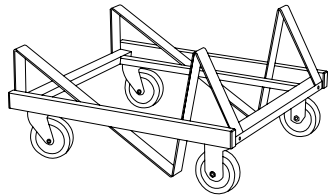
- 6 Select Fabric (Upholstered Option Only)**
Cards are available online and by request

[See ShopBCE](#)



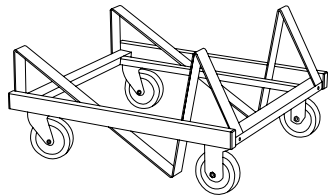
TRANSPORT DOLLY FOR FOUR LEG CHAIR

- Easy maneuverability with 5" casters; two fixed, two swivel
- Black powder-coated finish
- For chairs with poly, mesh or upholstered seat
- Not for use on chairs with casters



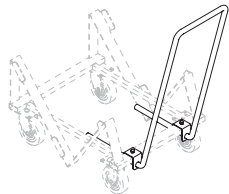
TRANSPORT DOLLY FOR HIGH DENSITY CHAIR

- Easy maneuverability with 5" casters; two fixed, two swivel
- Black powder-coated finish
- For chairs with poly or mesh seat



TRANSPORT DOLLY FOR CAFE STOOLS

- Easy maneuverability with 5" casters; two fixed, two swivel
- Black powder-coated finish
- For chairs with poly, mesh or upholstered seat



UNIVERSAL DOLLY HANDLE

- Field installable
- Provides convenient handle for relocating dolly when empty or loaded
- Overall dolly height with handle is 37"

FEATURES	BASIC MODEL	NET PRICE
	O4LD-BL	\$205
For Poly or Mesh Seat Chair	O4DA-BL	\$212
For Upholstered Seat Chair	O4DAU-BL	\$252
	O4SD-BL	\$269
	UDH-BL	\$137

1

HOW TO ORDER

Indicate the following information on the order form:

1. Quantity of each item.
2. Model Number, including options.
(See "How to Build a Model Number.")
3. Any special service required.

Note:

The indicates that a choice is required.

The absence of indicates that no choice is required.

HOW TO BUILD A MODEL NUMBER

1 Select Basic Model

+



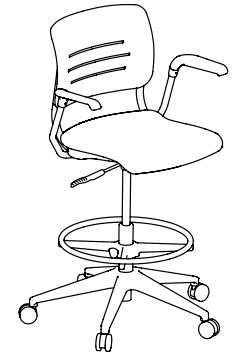
GPDNAP



GPDCAP



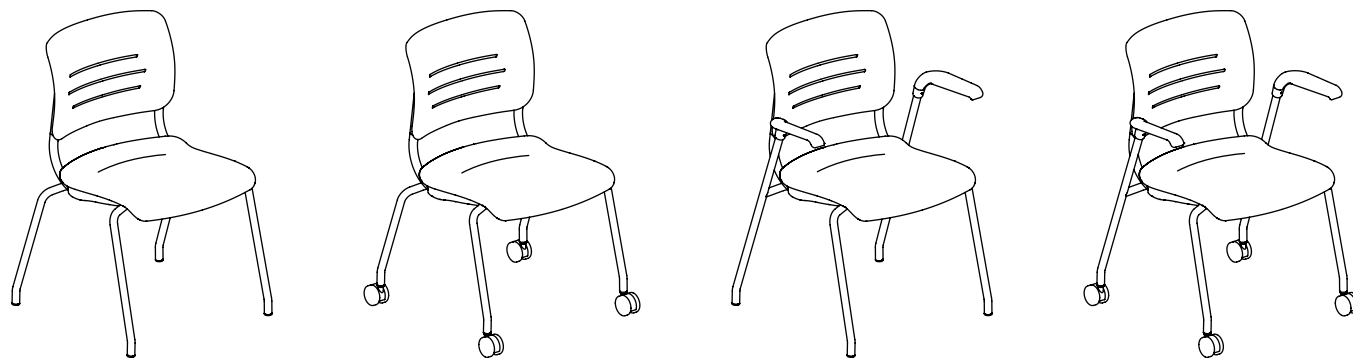
GPSNAP



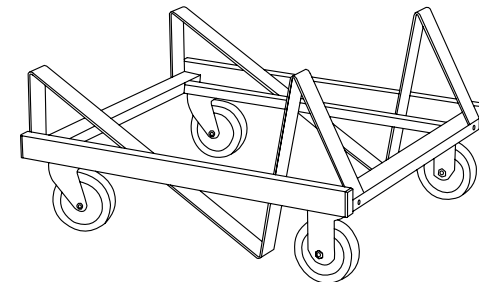
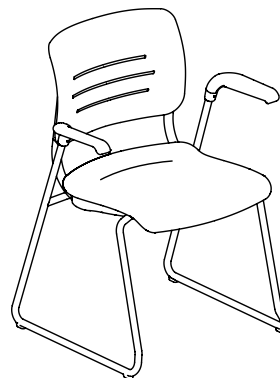
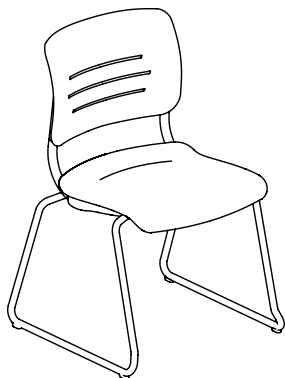
GPSCAP

FEATURES				
POLY SEAT AND BACK	•	•	•	•
PERFECT PIVOT	•	•	•	•
GENERAL DIMENSIONS				
SEAT WIDTH	18-1/2"	18-1/2"	18-1/2"	18-1/2"
SEAT DEPTH	18-5/16"	18-5/16"	18-5/16"	18-5/16"
SEAT HEIGHT*	17-1/2" — 22-1/2"	17-1/2" — 22-1/2"	22-1/4" — 32-3/4"	22-1/4" — 32-3/4"
OVERALL DIMENSIONS				
WIDTH	27-1/2"	27-1/2"	27-1/2"	27-1/2"
DEPTH	27-1/2"	27-1/2"	27-1/2"	27-1/2"
HEIGHT	32-1/2" — 37-1/2"	32-1/2" — 37-1/2"	35-1/4" — 42-3/4"	35-1/4" — 42-3/4"
ARMS TO FLOOR		26" — 31"		28-3/4" — 36-1/4"

* Seat height for Upholstered - Add 1"
 Seat height for Stools with Polished Aluminum Base - Subtract 1-5/8"



FEATURES	GLNAU	GLNAUC	GLCAU	GLCAUC
STACKING	•	•	•	•
POLY, UPHOLSTERED SEAT, OR UPHOLSTERED SEAT & BACK	•	•	•	•
PERFECT PIVOT	•	•	•	•
GENERAL DIMENSIONS				
SEAT WIDTH	18-1/2"	18-1/2"	18-1/2"	18-1/2"
SEAT DEPTH	18-5/16"	18-5/16"	18-5/16"	18-5/16"
SEAT HEIGHT (Upholstered Add 1")	17-3/4"	17-3/4"	17-3/4"	17-3/4"
OVERALL DIMENSIONS				
WIDTH	22-3/16"	23"	25-7/8"	25-7/8"
DEPTH	21-5/16"	21-5/16"	21-5/16"	21-5/16"
HEIGHT	32-5/8"	32-5/8"	32-5/8"	32-5/8"
TOP OF ARM TO FLOOR			26-1/4"	26-1/4"
STACKING ON DOLLY				
OVERALL WIDTH	25"		25-7/8"	
OVERALL DEPTH	36"		36"	
QUANTITY / HEIGHT (Poly)	12 Chairs / 60" High		12 Chairs / 60" High	
QUANTITY / HEIGHT (Upholstery)	6 Chairs / 60" High		6 Chairs / 60" High	
STACKING ON FLOOR				
WIDTH	22-3/16"	23"	25-7/8"	25-7/8"
DEPTH	28"	28"	28"	28"
QUANTITY / HEIGHT	5 Chairs / 43" High	5 Chairs / 43" High	5 Chairs / 43" High	5 Chairs / 43" High



FEATURES	GNAU	GSCAP	GCD.BL
STACKING	•	•	
POLY, UPHOLSTERED SEAT, OR UPHOLSTERED Seat & back	•	•	
PERFECT PIVOT	•	•	

GENERAL DIMENSIONS

SEAT WIDTH	18-1/2"	18-1/2"	
SEAT DEPTH	18-5/16"	18-5/16"	
SEAT HEIGHT (Upholstered Add 1")	17-3/4"	17-3/4"	

OVERALL DIMENSIONS

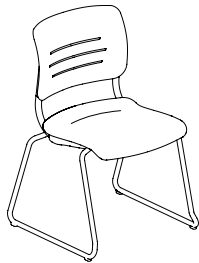
WIDTH	22"	25-7/8"	25"
DEPTH	21-1/4"	21-1/4"	29"
HEIGHT	32-5/8"	32-5/8"	15-3/4"
ARM TO FLOOR		26-1/4"	

STACKING ON DOLLY

OVERALL WIDTH	25"	25-7/8"	
DEPTH	36"	36"	
QUANTITY / HEIGHT (Poly)	12 Chairs / 60" High	12 Chairs / 60" High	
QUANTITY / HEIGHT (Upholstery)	6 Chairs / 60" High	6 Chairs / 60" High	

STACKING ON FLOOR

WIDTH	22-3/16"	25-7/8"	
DEPTH	28"	28"	
QUANTITY / HEIGHT	5 Chairs/43" High	5 Chairs/43" High	

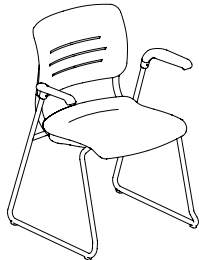


SITKA SLED BASE ARMLESS STACK CHAIR

WITH GLIDES

- Ergonomic articulation (Perfect Pivot)
- Choice of glides
- Stacking

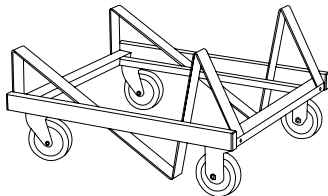
FEATURES	BASIC MODEL	FRAME COLOR	SEAT & BACK COLOR	GLIDES	NET PRICE
Poly Seat and Back	GSNAP	<input type="checkbox"/>	P <input type="checkbox"/>	<input type="checkbox"/>	\$163
Upholstered Seat and Poly Back	GSNAU	<input type="checkbox"/>	P <input type="checkbox"/>	<input type="checkbox"/>	\$205
Upholstered Seat and Back	GSNAUB	<input type="checkbox"/>	P <input type="checkbox"/>	<input type="checkbox"/>	\$246



SITKA SLED BASE CANTILEVER ARM STACK CHAIR WITH GLIDES

- Ergonomic articulation (Perfect Pivot)
- Choice of glides
- Stacking

Poly Seat and Back	GSCAP	<input type="checkbox"/>	P <input type="checkbox"/>	<input type="checkbox"/>	\$225
Upholstered Seat and Poly Back	GSCAU	<input type="checkbox"/>	P <input type="checkbox"/>	<input type="checkbox"/>	\$267
Upholstered Seat and Back	GSCAUB	<input type="checkbox"/>	P <input type="checkbox"/>	<input type="checkbox"/>	\$308



TRANSPORT DOLLY

- Will stack up to 12 poly/poly chairs
- Will stack up to 6 upholstered chairs
- Easy maneuverability with 5" casters, two fixed, two swivel
- Rugged weld tubular steel frame
- Black powder-coat finish

	GCD-BL				\$205

1 2 3 4

HOW TO ORDER

- Indicate the following information on the order form:
1. Quantity of each item.
 2. Model Number, including options. (See "How to Build a Model Number.")
 3. Any special service required.

Note:
The indicates that a choice is required.

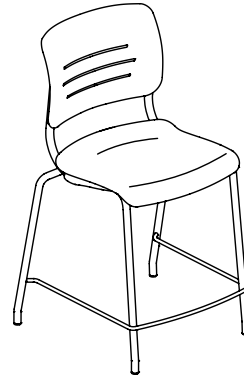
The absence of indicates that no choice is required.

HOW TO BUILD A MODEL NUMBER

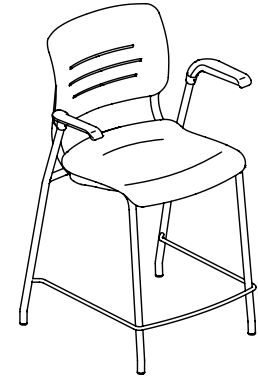
- 1 **Select Basic Model**
- 2 **Select Frame Color**
[See End of Section for Finish Options](#)
- 3 **Select Seat And Back Color**
[See End of Section for Finish Options](#)
- 4 **Select Glides Option**
 NGL - No Glides
 GBL - Black Plastic Glides
 GNM - Non - Marring Glides
 GNS - Non - Skid Glides
 GSS - Stainless Steel Glides

Select Fabric (For Upholstered Chair Only)
Cards are available online and by request

[See ShopBCE](#)

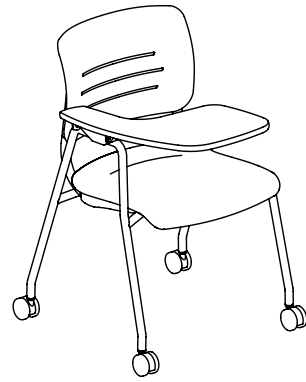


GLSNAU

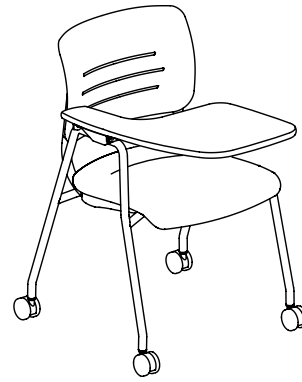


GLSCAU

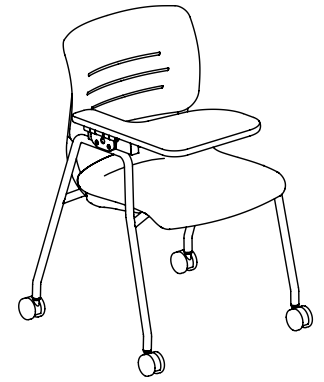
FEATURES		
STACKING	•	•
POLY, UPHOLSTERED SEAT, OR UPHOLSTERED SEAT & BACK	•	•
PERFECT PIVOT	•	•
GENERAL DIMENSIONS		
SEAT WIDTH	18-1/2"	18-1/2"
SEAT DEPTH	18-5/16"	18-5/16"
SEAT HEIGHT(Upholstered Add 1")	23-3/4" or 29-3/4"	23-3/4" or 29-3/4"
OVERALL DIMENSIONS		
WIDTH	22-3/16"	25-7/8"
DEPTH	21-5/16"	21-5/16"
HEIGHT	38-5/8" or 44-5/8"	38-5/8" or 44-5/8"
ARMS TO FLOOR		32-1/4" or 38-1/4"
STACKING ON FLOOR		
WIDTH	22-3/16"	25-7/8"
DEPTH	28"	28"
QUANTITY / HEIGHT	4 Chairs / 48" or 54" High	4 Chairs / 48" or 54" High



GLTAUCRH

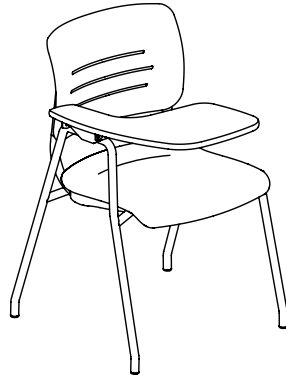


GLOVTAUCRH

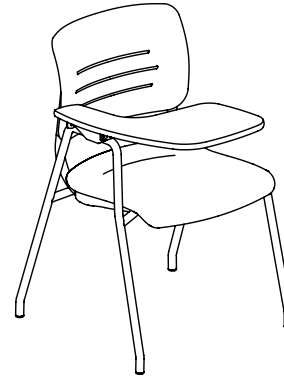


GLG2AUCRH

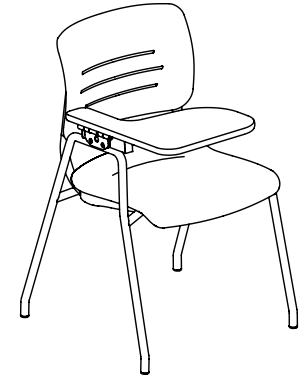
FEATURES			
POLY, UPHOLSTERED SEAT, OR UPHOLSTERED SEAT & BACK	•	•	•
PERFECT PIVOT	•	•	•
GENERAL DIMENSIONS			
SEAT WIDTH	18-1/2"	18-1/2"	18-1/2"
SEAT DEPTH	18-5/16"	18-5/16"	18-5/16"
SEAT HEIGHT (Upholstered Add 1")	17-3/4"	17-3/4"	17-3/4"
TABLET TO CHAIR BACK CLEARANCE	14-1/2"	14-1/2"	14-1/2"
OVERALL DIMENSIONS			
WIDTH	24"	24"	24"
DEPTH	27-3/8"	31"	27-3/8"
HEIGHT	32-5/8"	32-5/8"	32-5/8"
TOP OF ARM TO FLOOR	26-3/4"	26-3/4"	26-3/4"



GLTAURH

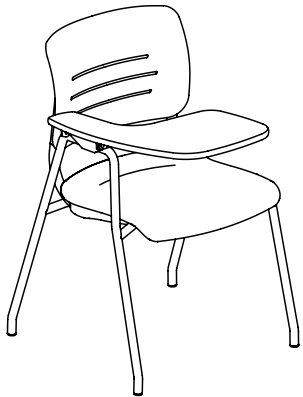


GLOVTAURH



GLG2AURH

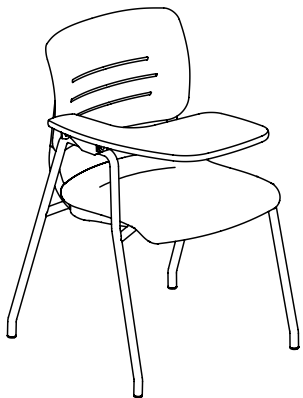
FEATURES			
POLY, UPHOLSTERED SEAT, OR UPHOLSTERED SEAT & BACK	•	•	•
PERFECT PIVOT	•	•	•
GENERAL DIMENSIONS			
SEAT WIDTH	18-1/2"	18-1/2"	18-1/2"
SEAT DEPTH	18-5/16"	18-5/16"	18-5/16"
SEAT HEIGHT (Upholstered Add 1")	17-3/4"	17-3/4"	17-3/4"
TABLET TO CHAIR BACK CLEARANCE	14-1/2"	14-1/2"	14-1/2"
OVERALL DIMENSIONS			
WIDTH	23-1/2"	23-1/2"	23-1/2"
DEPTH	27-3/8"	31"	26-3/4"
HEIGHT	32-5/8"	32-5/8"	32-5/8"
TOP OF ARM TO FLOOR	26-3/4"	26-3/4"	26-3/4"



SITKA FOUR LEG FLIP-UP TABLET ARM

CHAIR WITH GLIDES

- Ergonomic articulation (Perfect Pivot)
- Non-stacking



SITKA FOUR-LEG FLIP-UP OVERSIZE TABLET

ARM CHAIR WITH GLIDES

- Oversized tablet
- Ergonomic articulation (Perfect Pivot)
- Non-Stacking

FEATURES	BASIC MODEL	FRAME COLOR	SEAT & BACK COLOR	TABLET ARM COLOR	GLIDES	NET PRICE
Poly Seat and Back, Left Tablet	GLTAPLH	□□	P□□	L□□	□	\$279
Poly Seat and Back, Right Tablet	GLTAPRH	□□	P□□	L□□	□	\$279
Upholstered Seat and Poly Back, Left Tablet	GLTAULH	□□	P□□	L□□	□	\$321
Upholstered Seat and Poly Back, Right Tablet	GLTAURH	□□	P□□	L□□	□	\$321
Upholstered Seat and Back, Left Tablet	GLTAUBLH	□□	P□□	L□□	□	\$361
Upholstered Seat and Back, Right Tablet	GLTAUBRH	□□	P□□	L□□	□	\$361

FEATURES	BASIC MODEL	FRAME COLOR	SEAT & BACK COLOR	TABLET ARM COLOR	GLIDES	NET PRICE
Poly Seat and Back, Left Tablet	GLOVTAPLH	□□	P□□	L□□	□	\$317
Poly Seat and Back, Right Tablet	GLOVTAPRH	□□	P□□	L□□	□	\$317
Upholstered Seat and Poly Back, Left Tablet	GLOVTAULH	□□	P□□	L□□	□	\$359
Upholstered Seat and Poly Back, Right Tablet	GLOVTAURH	□□	P□□	L□□	□	\$359
Upholstered Seat and Back, Left Tablet	GLOVTAUBLH	□□	P□□	L□□	□	\$400
Upholstered Seat and Back, Right Tablet	GLOVTAUBRH	□□	P□□	L□□	□	\$400

- 1
- 2
- 3
- 4
- 5

HOW TO ORDER

- Indicate the following information on the order form:
1. Quantity of each item.
 2. Model Number, including options.
(See "How to Build a Model Number.")
 3. Any special service required.

Note:
The □ indicates that a choice is required.

The absence of □ indicates that no choice is required.

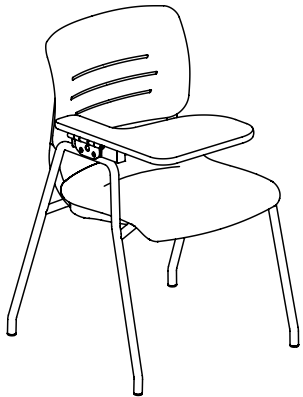
HOW TO BUILD A MODEL NUMBER

- 1 Select Basic Model
- 2 Select Frame Color
[See End of Section for Finish Options](#)
- 3 Select Seat And Back Color
[See End of Section for Finish Options](#)
- 4 Select Tablet Arm Color
[See End of Section for Finish Options](#)
- 5 Select Glides Option
F - Felt Glides
P - Plastic Glides
S - Steel Glides

Select Fabric (For Upholstered Chair Only)
Cards are available online and by request

[See ShopBCE](#)

+



SITKA FOUR LEG FLIP-AND-STORE (G2)

TABLET ARM CHAIR WITH GLIDES

- Ergonomic articulation (Perfect Pivot)
- Non-stacking

FEATURES	BASIC MODEL	FRAME COLOR	SEAT & BACK COLOR	TABLET ARM COLOR	GLIDES	NET PRICE
Poly Seat and Back, Left Tablet	GLG2APLH	□□	P□□	L□□	□	\$315
Poly Seat and Back, Right Tablet	GLG2APRH	□□	P□□	L□□	□	\$315
Upholstered Seat and Poly Back, Left Tablet	GLG2AULH	□□	P□□	L□□	□	\$357
Upholstered Seat and Poly Back, Right Tablet	GLG2AURH	□□	P□□	L□□	□	\$357
Upholstered Seat and Back, Left Tablet	GLG2AUBLH	□□	P□□	L□□	□	\$398
Upholstered Seat and Back, Right Tablet	GLG2AUBRH	□□	P□□	L□□	□	\$398

- ①
- ②
- ③
- ④
- ⑤

HOW TO ORDER

Indicate the following information on the order form:
 1. Quantity of each item.
 2. Model Number, including options.
 (See "How to Build a Model Number.")
 3. Any special service required.

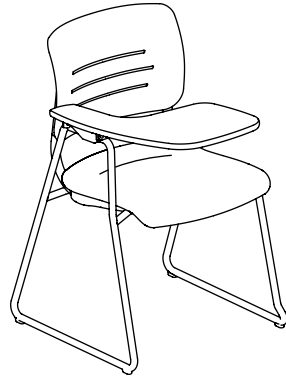
Note:
 The □ indicates that a choice is required.

The absence of □ indicates that no choice is required.

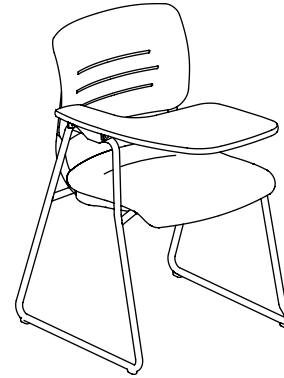
HOW TO BUILD A MODEL NUMBER

- ① **Select Basic Model**
- ② **Select Frame Color**
[See End of Section for Finish Options](#)
- ③ **Select Seat And Back Color**
[See End of Section for Finish Options](#)
- ④ **Select Tablet Arm Color**
[See End of Section for Finish Options](#)
- ⑤ **Select Glides Option**
 F - Felt Glides
 P - Plastic Glides
 S - Steel Glides

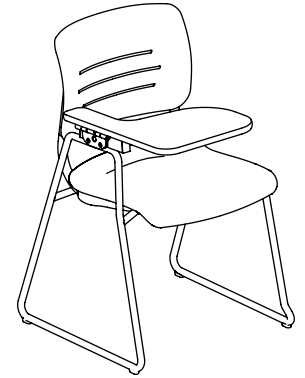
Select Fabric (For Upholstered Chair Only)
 Cards are available online and by request
[See ShopBCE](#)



GSTAPLH

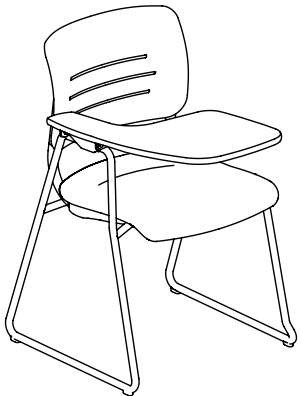
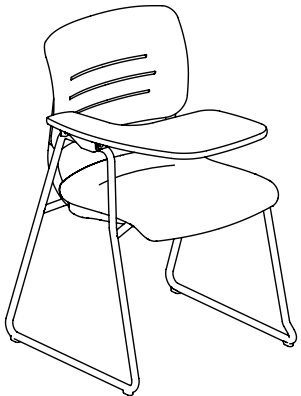


GSOVTAPLH



GSG2APLH

FEATURES			
POLY, UPHOLSTERED SEAT, OR UPHOLSTERED SEAT & BACK	•	•	•
PERFECT PIVOT	•	•	•
GENERAL DIMENSIONS			
SEAT WIDTH	18-1/2"	18-1/2"	18-1/2"
SEAT DEPTH	18-5/16"	18-5/16"	18-5/16"
SEAT HEIGHT (Upholstered Add 1")	17-3/4"	17-3/4"	17-3/4"
TABLET TO CHAIR BACK CLEARANCE	14-1/2"	14-1/2"	14-1/2"
OVERALL DIMENSIONS			
WIDTH	23-1/2"	23-1/2"	23-1/2"
DEPTH	27-3/8"	31"	26-3/4"
HEIGHT	32-5/8"	32-5/8"	32-5/8"
TOP OF ARM TO FLOOR	26-3/4"	26-3/4"	26-3/4"



SITKA SLED BASE FLIP-UP TABLET ARM

CHAIR WITH GLIDES

- Ergonomic articulation (Perfect Pivot)
- Non-stacking

SITKA SLED BASE FLIP-UP OVERSIZE

TABLET ARM CHAIR WITH GLIDES

- Oversized tablet
- Ergonomic articulation (Perfect Pivot)
- Non-Stacking

FEATURES	BASIC MODEL	FRAME COLOR	SEAT & BACK COLOR	TABLET ARM COLOR	GLIDES	NET PRICE
Poly Seat and Back, Left Tablet	GSTAPLH	□□	L□□	P□□	□□□	\$294
Poly Seat and Back, Right Tablet	GSTAPRH	□□	L□□	P□□	□□□	\$294
Upholstered Seat and Poly Back, Left Tablet	GSTAULH	□□	L□□	P□□	□□□	\$335
Upholstered Seat and Poly Back, Right Tablet	GSTAURH	□□	L□□	P□□	□□□	\$335
Upholstered Seat and Back, Left Tablet	GSTAUBLH	□□	L□□	P□□	□□□	\$376
Upholstered Seat and Back, Right Tablet	GSTAUBRH	□□	L□□	P□□	□□□	\$376

Poly Seat and Back, Left Tablet	GSOVTAPLH	□□	L□□	P□□	□□□	\$319
Poly Seat and Back, Right Tablet	GSOVTAPRH	□□	L□□	P□□	□□□	\$319
Upholstered Seat and Poly Back, Left Tablet	GSOVTAULH	□□	L□□	P□□	□□□	\$361
Upholstered Seat and Poly Back, Right Tablet	GSOVTAURH	□□	L□□	P□□	□□□	\$361
Upholstered Seat and Back, Left Tablet	GSOVTAUBLH	□□	L□□	P□□	□□□	\$401
Upholstered Seat and Back, Right Tablet	GSOVTAUBRH	□□	L□□	P□□	□□□	\$401

- ❶
- ❷
- ❸
- ❹
- ❺

HOW TO ORDER

Indicate the following information on the order form:

- Quantity of each item.
- Model Number, including options. (See "How to Build a Model Number.")
- Any special service required.

Note:

The □ indicates that a choice is required.

The absence of □ indicates that no choice is required.

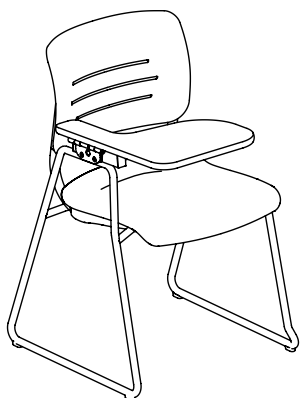
HOW TO BUILD A MODEL NUMBER

- ❶ **Select Basic Model**
- ❷ **Select Frame Color**
[See End of Section for Finish Options](#)
- ❸ **Select Seat And Back Color**
[See End of Section for Finish Options](#)
- ❹ **Select Tablet Arm Color**
[See End of Section for Finish Options](#)

- ❺ **Select Glides Option**
NGL - No Glides
GBL - Black Plastic Glides
GNM - Non-Marring Glides
GNS - Non-Skid Glides
GSS - Stainless Steel Glides

Select Fabric (For Upholstered Chair Only)
 Cards are available online and by request

[See ShopBCE](#)



SITKA SLED BASE FLIP-AND-STORE (G2)

TABLET ARM CHAIR WITH GLIDES

- Ergonomic articulation (Perfect Pivot)
- Non-stacking

FEATURES	BASIC MODEL	FRAME COLOR	SEAT & BACK COLOR	TABLET ARM COLOR	GLIDES	NET PRICE
Poly Seat and Back, Left Tablet	GSG2APLH	□□	P□□	L□□	□□□	\$312
Poly Seat and Back, Right Tablet	GSG2APRH	□□	P□□	L□□	□□□	\$312
Upholstered Seat and Poly Back, Left Tablet	GSG2AULH	□□	P□□	L□□	□□□	\$354
Upholstered Seat and Poly Back, Right Tablet	GSG2AURH	□□	P□□	L□□	□□□	\$354
Upholstered Seat and Back, Left Tablet	GSG2AUBLH	□□	P□□	L□□	□□□	\$395
Upholstered Seat and Back, Right Tablet	GSG2AUBRH	□□	P□□	L□□	□□□	\$395

- 1
- 2
- 3
- 4
- 5

HOW TO ORDER

Indicate the following information on the order form:

1. Quantity of each item.
2. Model Number, including options.
(See "How to Build a Model Number.")
3. Any special service required.

Note:
The □ indicates that a choice is required.

The absence of □ indicates that no choice is required.

HOW TO BUILD A MODEL NUMBER

- 1 Select Basic Model
- 2 Select Frame Color
[See End of Section for Finish Options](#)
- 3 Select Seat And Back Color
[See End of Section for Finish Options](#)
- 4 Select Tablet Arm Color
[See End of Section for Finish Options](#)

- 5 Select Glides Option
 NGL - No Glides
 GBL - Black Plastic Glides
 GNM - Non-Marring Glides
 GNS - Non-Skid Glides
 GSS - Stainless Steel Glides

Select Fabric (For Upholstered Chair Only)
Cards are available online and by request

[See ShopBCE](#)

Frame Color

BL	Black
GR	Blue Grey
ZM	Bronze Metallic
CY	Cayenne
CM	Champagne Metallic
CH	Chrome
CG	Cool Grey
CO	Cottonwood
EY	Earthen Clay
EX	Espresso Metallic
EV	Everglade Shade
FN	Flannel
GZ	Glitz Metallic
HJ	Hazy Jade
HY	Honey Bee
LG	Light Tone
MG	Mardi Gras
MY	Misty Brown
NE	Nemo
ND	Nordic
PR	Poppy Red
PH	Purple Haze
RK	Rubber Ducky
SA	Sand
SK	Sky Blue
SX	Starlight Silver Metallic
SP	Surf's Up
TI	Twilight Shadow
UB	Ultra Blue
WG	Warm Grey
ZL	Zesty Lime

Armcaps and glides match the frame color with the following exceptions:

- When frame color is chrome or metallic, the armcaps and glides will match poly color.
- When back is diamond translucent, armcaps are light tone.
- When back is pewter translucent, armcaps are flannel.

Casters for four-leg chairs are always black.

Poly Color - Seat and/or Back

PBL	Black
PGR	Blue Grey
PCY	Cayenne
PCG	Cool Grey
PCO	Cottonwood
PDT	Diamond Translucent
PEY	Earthen Clay
PEV	Everglade Shade
PFN	Flannel
PHJ	Hazy Jade
PHY	Honey Bee
PLG	Light Tone
PMG	Mardi Gras
PMY	Misty Brown
PNE	Nemo
PND	Nordic
PPT	Pewter Translucent
PPR	Poppy Red
PPH	Purple Haze
PRK	Rubber Ducky
PSA	Sand
PSK	Sky Blue
PSP	Surf's Up
PTI	Twilight Shadow
PUB	Ultra Blue
PWG	Warm Grey
PZL	Zesty Lime

TRANSLUCENT colors are available on the upholstered seat models only.

Tablet Arm Color

LBQ	Belair
LBT	Biltmore Cherry
LBK	Black
LBW	Brighton Walnut
LCA	Canyon Zephyr
LCO	Castle Oak
LCU	Casual Linen
LXZ	Cherry Storm
LCL	Classic Linen
LCL	Cloud Zephyr
LCC	Cocobala
LRI	Crisp Linen
LDZ	Desert Zephyr
LDG	Dove Grey
LIL	Fired Steel
LXF	Flax Linen
LFC	Florence Walnut
LOL	Forged Steel
LFH	Friston Ash
LFW	Frosty White
LGN	Graphite Nebula
LGE	Grey
LHE	High Rise
LHY	Hollyberry
LIH	Irish Linen
LID	Island
LIT	Italian Silver Ash
LKM	Kensington Maple
LLB	Lapis Blue
LMK	Markerboard White
LMR	Misted Zephyr
LMT	Monticello Maple
LNZ	Nickel Evolv
LNA	North Sea
LON	Ocean
LPB	Pearl Bisque
LPS	Pearl Silver
LPR	Pressed Linen
LRY	River Cherry
LRG	Rugged Linen
LSS	Satin Stainless
LSR	Shadow Zephyr
LSV	Silicon evolv
LAZ	Sterling Ash
LTL	Tailored Linen
LTV	Titanium evolv
LWL	White Nebula
LWN	White Sand
LWY	Windsor Mahogany

Base-Caster Color

BL	Black
WG	Warm Grey
PA	Polished Aluminum; add \$108

Base color selection for black includes: black base, black cylinder, and black carpet casters.

Base color selection for warm grey includes: warm grey base, warm grey cylinder, and warm grey carpet casters.

Base color selection for polished aluminum includes: Polished aluminum base, black cylinder, and black carpet casters.

Hard floor (Soft) casters are black only.



QS-OEI64-JR39-SLD-NF-C



QS-OEI74-JR69-NF-SLD-BL-C



QS-BRTH-AA-X-C



QS-6200D



QS-201-OB-74C-ONA1-18BB-16SCG-010

GENERAL DIMENSIONS

SEAT WIDTH	20-1/2"	20-1/2"	21-5/8"	21"	19.1"
SEAT DEPTH	18"	18" – 20-1/2"	19-1/2"	22" – 24"	18.4"
SEAT HEIGHT	17-3/4" – 22-1/4"	17-1/4" – 22-1/4"	18" – 21"	16" – 21"	20.0" – 24.1"
BACK WIDTH	20"	20"	24"	22"	19.1"
BACK HEIGHT (Above seat)	19-1/2" – 22-1/2"	17-1/2" – 22-3/4"	17-1/2" – 22-3/4"	30" – 32"	27.0"

OVERALL DIMENSIONS

WIDTH	25"	25"	27-1/2"	26" – 29"	20.3"
HEIGHT	37" – 45"	35-1/2" – 43-1/2"	41-1/4" – 44-1/4"	46" – 48"	44.5" – 49.0"



Quick Ship Ithaca Free Float Task Chair

- Available as Configured Only: Adjustable Task Arms, Seat Slider, Standard Foam, Carpet Casters, Mystic Black C1 Stretch Fabric.
- MAX ORDER QUANTITY: 5 chairs.



Quick Ship Ithaca Ultra Mid Back Chair

- Available as Configured Only: 4D Task Arms, Mid-Back, Standard Foam, Carpet Casters, Mystic Black C1 Stretch Fabric.
- MAX ORDER QUANTITY: 5 chairs.

BASIC MODEL

NET PRICE

BASIC MODEL	NET PRICE
QS-OEI64-JR39-SLD-NF-C (Mystic Black C1)	\$619
QS-OEI74-JR69-NF-SLD-BL-C (Mystic Black C1)	\$663

HOW TO ORDER

- Indicate the following information on the order form:
1. Quantity of each item.
 2. Model Number, including options.
(See "How to Build a Model Number.")
 3. Any special service required.

Note:
The indicates that a choice is required.

The absence of indicates that no choice is required.

HOW TO BUILD A MODEL NUMBER



1 Select Basic Model



Quick Ship Breathe Task Chair

- Available as Configured Only: Adjustable Arms, No Headrest, Carpet Casters, Standard Breathe Black Fabric
- MAX ORDER QUANTITY: 5 chairs

BASIC MODEL

NET PRICE

QS-BRTH-AA-X-C (Stan. Black)

\$579



Quick Ship CXO Extreme Comfort Task Chair

- Available as Configured Only: Adjustable Arms, Headrest, Enersorb Foam Seating, 2" Carpet Casters, Black Base, and Black Mystic Stretch Fabric
- MAX ORDER QUANTITY: 5 chairs

QS-6200D (Black MS)

\$1,208



Quick Ship Onda Mid-Back Task Chair

- All Mesh with black frame
- Auto-adjust body balance control
- 6D black height adjustable arms with pivoting armrests
- Black nylon high-profile 5-star swivel base, Grey-black soft rubber tread all floor casters
- MAX ORDER QUANTITY: 5 chairs

QS-201-OB-74C-ONA1-18BB-16SCG-010

\$744

HOW TO ORDER

Indicate the following information on the order form:

1. Quantity of each item.
2. Model Number, including options.
(See "How to Build a Model Number.")
3. Any special service required.

Note:

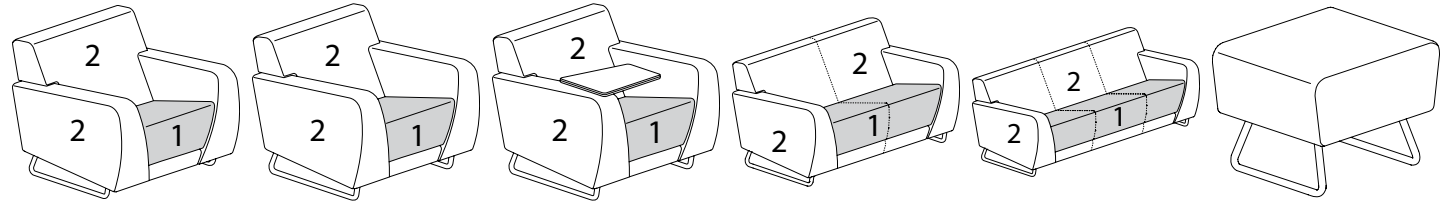
The indicates that a choice is required.

The absence of indicates that no choice is required.

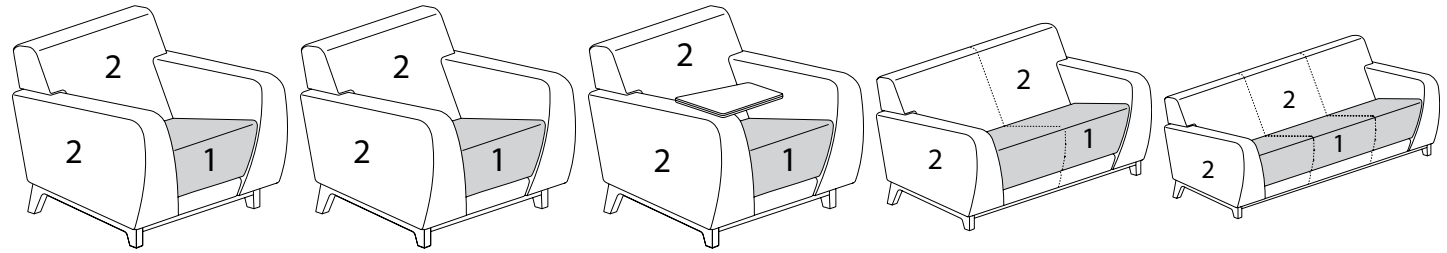
HOW TO BUILD A MODEL NUMBER

- 1 Select Basic Model

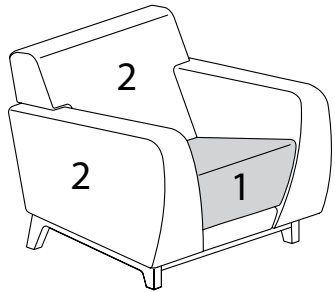




	1223	1323	1313TR	1333	1343	1220
GENERAL DIMENSIONS						
SEAT WIDTH	26"	22-3/4"	22-3/4"	46-1/2"	69-1/2"	24"
SEAT DEPTH	22"	20-1/2"	20-1/2"	20-1/2"	20-1/2"	26"
SEAT HEIGHT	18-1/4"	17-3/4"	17-3/4"	17-3/4"	17-3/4"	18"
ARM WIDTH	3-1/2" – 7"	3-1/2" – 7"	3-1/2" – 7"	3-1/2" – 7"	3-1/2" – 7"	
ARM HEIGHT	24-3/4"	23"	23"	23"	23"	
OVERALL DIMENSIONS OUTSIDE						
WIDTH	38"	32"	32"			
DEPTH	38-1/4"	33-1/2"	33-1/2"			
HEIGHT	31"	28-1/2"	28-1/4"			
TABLET ARM WIDTH			16-1/4"			
TABLET ARM DEPTH (Side 1)			13"			
TABLET ARM DEPTH (Side 2)			9-1/2"			
TABLET ARM THICKNESS			1"			



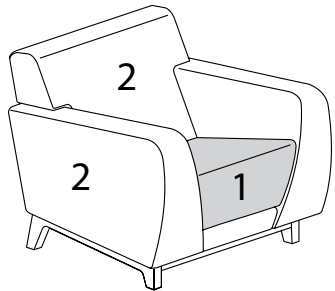
	1223WB	1323WB	1313TRWB	1333WB	1343WB
GENERAL DIMENSIONS					
SEAT WIDTH	26"	22-3/4"	22-3/4"	46-1/2"	69-1/2"
SEAT DEPTH	22"	20-1/2"	20-1/2"	20-1/2"	20-1/2"
SEAT HEIGHT	18-1/4"	17-3/4"	17-3/4"	17-3/4"	17-3/4"
ARM WIDTH	3-1/2" – 7"	3-1/2" – 7"	3-1/2" – 7"	3-1/2" – 7"	3-1/2" – 7"
ARM HEIGHT	24-3/4"	23"	23"	23"	23"
OVERALL DIMENSIONS OUTSIDE					
WIDTH	38"	32"	32"	55"	78"
DEPTH	38-1/4"	33-1/2"	33-1/2"	33-1/2"	33-1/3"
HEIGHT	31"	28-1/2"	28-1/4"	28-1/4"	28"
TABLET ARM WIDTH			16-1/4"		
TABLET ARM DEPTH (Side 1)			13"		
TABLET ARM DEPTH (Side 2)			9-1/2"		
TABLET ARM THICKNESS			1"		



SUAVE CHAIR AND A HALF WOOD BASE

- Fully upholstered
- Wire spring construction
- Durable wood construction
- Wood arm caps option with various stains
- Non-contrast C.O.M - 6 yds
- 1 - Seat (Fabric Contrast 1) C.O.M. - 2 yd
- 2 - Back, arms, front border (Fabric Contrast 2) C.O.M. - 5 yd

FABRIC OPTION	BASIC MODEL	WOOD FINISH	ARM CAPS	NET PRICE
Non-Contrasting	1223WB-NC	<input type="checkbox"/> <input type="checkbox"/> <input type="checkbox"/>	<input type="checkbox"/> <input type="checkbox"/> <input type="checkbox"/>	\$1,390
Contrasting	1223WB-FC	<input type="checkbox"/> <input type="checkbox"/> <input type="checkbox"/>	<input type="checkbox"/> <input type="checkbox"/> <input type="checkbox"/>	\$1,540



SUAVE LOUNGE CHAIR WOOD BASE

- Fully upholstered
- Wire spring construction
- Durable wood construction
- Wood arm caps option with various stains
- Non-contrast C.O.M - 6 yds
- 1 - Seat (Fabric Contrast 1) C.O.M. - 2 yd
- 2 - Back, arms, front border (Fabric Contrast 2) C.O.M. - 4 yd

FABRIC OPTION	BASIC MODEL	WOOD FINISH	ARM CAPS	NET PRICE
Non-Contrasting	1323WB-NC	<input type="checkbox"/> <input type="checkbox"/> <input type="checkbox"/>	<input type="checkbox"/> <input type="checkbox"/> <input type="checkbox"/>	\$1080
Contrasting	1323WB-FC	<input type="checkbox"/> <input type="checkbox"/> <input type="checkbox"/>	<input type="checkbox"/> <input type="checkbox"/> <input type="checkbox"/>	\$1230

1

2

3

HOW TO ORDER

- Indicate the following information on the order form:
1. Quantity of each item.
 2. Model Number, including options.
(See "How to Build a Model Number.")
 3. Any special service required.

Note:
The indicates that a choice is required.

The absence of indicates that no choice is required.

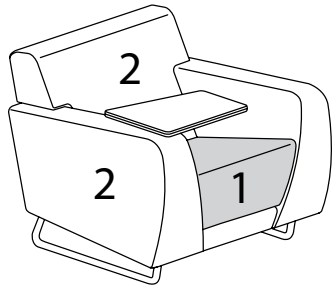
HOW TO BUILD A MODEL NUMBER

- 1 **Select Basic Model**
- 2 **Select Wood Finish Option**
[See End of Section for Finish Options](#)
- 3 **Select Arm Caps Option**
NAC - No Arm Caps
WAC - Wood Arm Caps (pair); **add \$199**

Select Fabric
Cards are available online and by request
[See ShopBCE](#)

Non-Contrasting Fabric - only list one color

Contrasting Fabric - list colors in order;
color "1" first, color "2" second, etc.
(Use photo of product for reference)

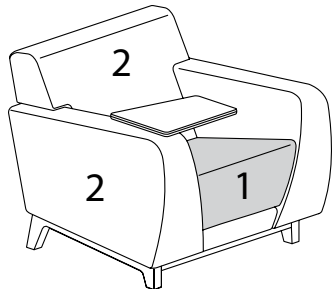


SUAVE LOUNGE CHAIR

W/ TABLET ARM

- Fully upholstered
- Wire spring construction
- Durable wood construction
- Wood arm caps option with various stains
- Chrome base standard
- Non-contrast C.O.M - 6 yds
- 1 - Seat (Fabric Contrast 1) C.O.M. - 2 yd
- 2 - Back, arms, front border (Fabric Contrast 2) C.O.M. - 4 yd

FABRIC OPTION	BASIC MODEL	ARM CAPS	TABLET ARM DIR.	TABLET TYPE	TABLET HOLE COVER	GLIDES	TABLET ARM LAMINATE	TABLET ARM EDGE	ARM CAP FINISH	NET PRICE
Non-Contrasting	1313T-NC	□□□	□□□	□□	□□□	□□□	L□□	□□□□	□□□	\$1,142
Contrasting	1313T-FC	□□□	□□□	□□	□□□	□□□	L□□	□□□□	□□□	\$1,292



SUAVE LOUNGE CHAIR

W/ TABLET ARM & WOOD BASE

- Fully upholstered
- Wire spring construction
- Durable wood construction
- Wood arm caps option with various stains
- Non-contrast C.O.M - 6 yds
- 1 - Seat (Fabric Contrast 1) C.O.M. - 2 yd
- 2 - Back, arms, front border (Fabric Contrast 2) C.O.M. - 4 yd

FABRIC OPTION	BASIC MODEL	ARM CAPS	TABLET ARM DIR.	TABLET TYPE	TABLET HOLE COVER	GLIDES	TABLET ARM LAMINATE	TABLET ARM EDGE	ARM CAP FINISH	NET PRICE
Non-Contrasting	1313TWB-NC	□□□	□□□	□□	□□□		L□□	□□□□	□□□	\$1,459
Contrasting	1313TWB-FC	□□□	□□□	□□	□□□		L□□	□□□□	□□□	\$1,609

- 1
- 2
- 3
- 4
- 5
- 6
- 7
- 8
- 9

HOW TO ORDER

- Indicate the following information on the order form:
1. Quantity of each item.
 2. Model Number, including options. (See "How to Build a Model Number.")
 3. Any special service required.

Note:
The □ indicates that a choice is required.

The absence of □ indicates that no choice is required.

HOW TO BUILD A MODEL NUMBER

- 1 Select Basic Model**
- 2 Select Arm Caps Option**
NAC - No Arm Caps
WAC - Wood Arm Caps (pair); **add \$199**
- 3 Select Tablet Arm Direction**
LFT - Left Facing (Right-handed when seated)
RFT - Right Facing (Left-handed when seated)
- 4 Select Tablet Type**
RA - Removable Arm (Standard)
NR - Non - Removable Arm; **add \$16**
AT - Articulating Arm; **add \$24**

- 5 Select Tablet Connection Hole Cover**
NTP - No Tablet Hole Cover
TP - Tablet Hole Cover; **add \$34**
- 6 Select Glides Option**
NGL - No Glides
GNY - Nylon Glides (black); **add \$4**
- 7 Select Tablet Arm Laminate Finish Option**
[See End of Section for Finish Options](#)
- 8 Select Tablet Arm Edge Finish Option**
[See End of Section for Finish Options](#)

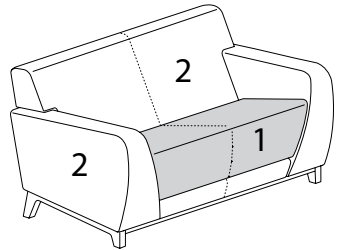
- 9 Select Arm Cap Finish Option**
[See End of Section for Finish Options](#)

Select Fabric
Cards are available online and by request

[See ShopBCE](#)

Non-Contrasting Fabric - only list one color

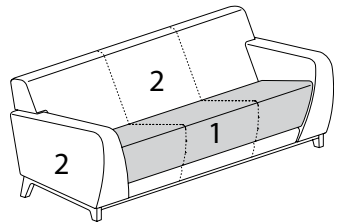
Contrasting Fabric - list colors in order; color "1" first, color "2" second, etc. (Use photo of product for reference)



SUAVE LOVESEAT WOOD BASE

- Fully upholstered
- Wire spring construction
- Durable wood construction
- Wood arm caps option with various stains
- Non-contrast C.O.M - 8 yds
- 1 - Seat (Fabric Contrast 1) C.O.M. - 2 yd
- 2 - Back, arms, front border (Fabric Contrast 2) C.O.M. - 6 yd

FABRIC OPTION	BASIC MODEL	WOOD FINISH	ARM CAPS	NET PRICE
Non-Contrasting	1333WB-NC	□□□	□□□	\$1,333
Contrasting	1333WB-FC	□□□	□□□	\$1,483



SUAVE SOFA WOOD BASE

- Fully upholstered
- Wire spring construction
- Durable wood construction
- Wood arm caps option with various stains
- Non-contrast C.O.M - 10 yds
- 1 - Seat (Fabric Contrast 1) C.O.M. - 3 yd
- 2 - Back, arms, front border (Fabric Contrast 2) C.O.M. - 7 yd

FABRIC OPTION	BASIC MODEL	WOOD FINISH	ARM CAPS	NET PRICE
Non-Contrasting	1343WB-NC	□□□	□□□	\$1708
Contrasting	1343WB-FC	□□□	□□□	\$1858

1

2

3

HOW TO ORDER

- Indicate the following information on the order form:
1. Quantity of each item.
 2. Model Number, including options. (See "How to Build a Model Number.")
 3. Any special service required.

Note:
The □ indicates that a choice is required.

The absence of □ indicates that no choice is required.

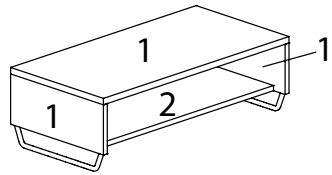
HOW TO BUILD A MODEL NUMBER

- 1 **Select Basic Model**
- 2 **Select Wood Finish Option**
[See End of Section for Finish Options](#)
- 3 **Select Arm Caps Option (LoveSeat/Sofa Only)**
NAC - No Arm Caps
WAC - Wood Arm Caps (pair); add \$199

Select Fabric
Cards are available online and by request
[See ShopBCE](#)

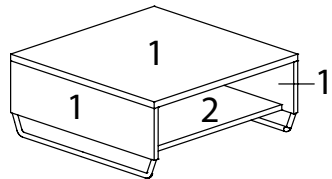
Non-Contrasting Fabric - only list one color

Contrasting Fabric - list colors in order; color "1" first, color "2" second, etc. (Use photo of product for reference)



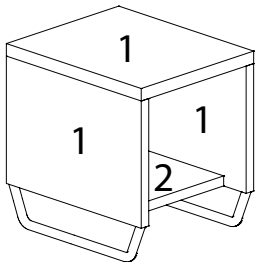
SUAVE RECTANGULAR COFFEE TABLE

- Open from 2 sides with a septum down the middle separating the sides
- Width 48"
- Depth 20"
- Height 15"



SUAVE SQUARE COFFEE TABLE

- Open from 2 sides with a septum down the middle separating the sides
- Width 36"
- Depth 36"
- Height 15"



SUAVE RECTANGULAR END TABLE

- Open from 2 sides with a septum down the middle separating the sides
- Width 15"
- Depth 18"
- Height 18"

BASIC MODEL	PRIMARY LAMINATE (1)	SECONDARY LAMINATE (2)	BASE FINISH	PRIMARY EDGE COLOR (1)	SECONDARY EDGE COLOR (2)	GLIDES	NET PRICE
1350	L□□	L□□S	□□	□□□	□□□	□□□	\$676
1360	L□□	L□□S	□□	□□□	□□□	□□□	\$749
1351	L□□	L□□S	□□	□□□	□□□	□□□	\$530

HOW TO ORDER

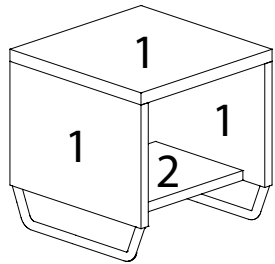
- Indicate the following information on the order form:
1. Quantity of each item.
 2. Model Number, including options.
(See "How to Build a Model Number.")
 3. Any special service required.

Note:
The □ indicates that a choice is required.

The absence of □ indicates that no choice is required.

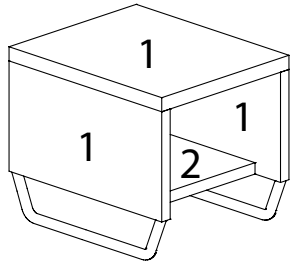
HOW TO BUILD A MODEL NUMBER

- 1 Select Basic Model**
- 2 Select Primary Laminate Option**
[See End of Section for Finish Options](#)
- 3 Select Secondary Laminate Option**
[See End of Section for Finish Options](#)
- 4 Select Base Finish Option**
Chrome is standard for leg finish
Wood legs are a special order
- 5 Select Primary Edge Color Option**
[See End of Section for Finish Options](#)
- 6 Select Secondary Edge Color Option**
[See End of Section for Finish Options](#)
- 7 Select Glides Option**
NGL - No Glides
GNY - Nylon Glides (black); add \$4



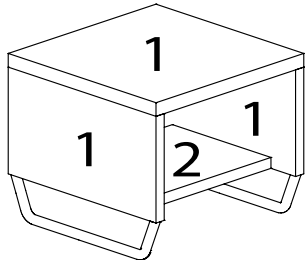
SUAVE SQUARE END TABLE

- Open from 2 sides with a septum down the middle separating the sides
- Width 18"
- Depth 18"
- Height 18"



SUAVE RECTANGULAR LAMP TABLE

- Open from 2 sides with a septum down the middle separating the sides
- Width 15"
- Depth 18"
- Height 15"



SUAVE SQUARE LAMP TABLE

- Open from 2 sides with a septum down the middle separating the sides
- Width 18"
- Depth 18"
- Height 15"

BASIC MODEL	PRIMARY LAMINATE (1)	SECONDARY LAMINATE (2)	BASE FINISH	PRIMARY EDGE COLOR (1)	SECONDARY EDGE COLOR (2)	GLIDES	NET PRICE
1361	L□□	L□□S	□□	□□□	□□□	□□□	\$539
1352	L□□	L□□S	□□	□□□	□□□	□□□	\$485
1362	L□□	L□□S	□□	□□□	□□□	□□□	\$496

- ① ② ③ ④ ⑤ ⑥ ⑦

HOW TO ORDER

- Indicate the following information on the order form:
1. Quantity of each item.
 2. Model Number, including options.
(See "How to Build a Model Number.")
 3. Any special service required.

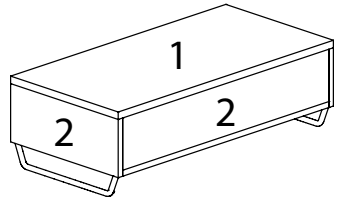
Note:
The □ indicates that a choice is required.

The absence of □ indicates that no choice is required.

HOW TO BUILD A MODEL NUMBER

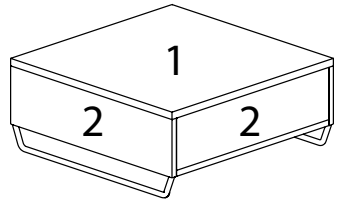
- 1 Select Basic Model
- 2 Select Primary Laminate Option
[See End of Section for Finish Options](#)
- 3 Select Secondary Laminate Option
[See End of Section for Finish Options](#)
- 4 Select Base Finish Option
Chrome is standard for leg finish
Wood legs are a special order
- 5 Select Primary Edge Color Option
[See End of Section for Finish Options](#)
- 6 Select Secondary Edge Color Option
[See End of Section for Finish Options](#)
- 7 Select Glides Option
NGL - No Glides
GNY - Nylon Glides (black); add \$4

+



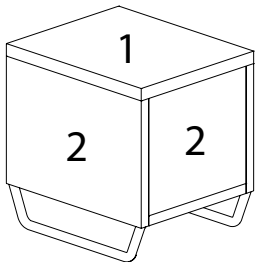
SUAVE RECTANGULAR CUBE COFFEE TABLE

- Fully enclosed
- Width 48"
- Depth 20"
- Height 15"



SUAVE SQUARE CUBE COFFEE TABLE

- Fully enclosed
- Width 36"
- Depth 36"
- Height 15"



SUAVE RECTANGULAR CUBE END TABLE

- Fully enclosed
- Width 15"
- Depth 18"
- Height 18"

BASIC MODEL	PRIMARY LAMINATE (1)	SECONDARY LAMINATE (2)	BASE FINISH	PRIMARY EDGE COLOR (1)	SECONDARY EDGE COLOR (2)	GLIDES	NET PRICE
1350C	L□□	L□□S	□□	□□□	□□□	□□□	\$892
1360C	L□□	L□□S	□□	□□□	□□□	□□□	\$901
1351C	L□□	L□□S	□□	□□□	□□□	□□□	\$671

- ① ② ③ ④ ⑤ ⑥ ⑦

HOW TO ORDER

- Indicate the following information on the order form:
1. Quantity of each item.
 2. Model Number, including options.
(See "How to Build a Model Number.")
 3. Any special service required.

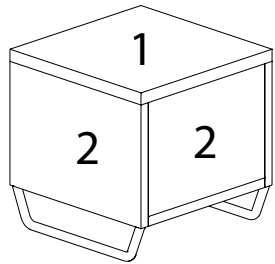
Note:
The □ indicates that a choice is required.

The absence of □ indicates that no choice is required.

HOW TO BUILD A MODEL NUMBER

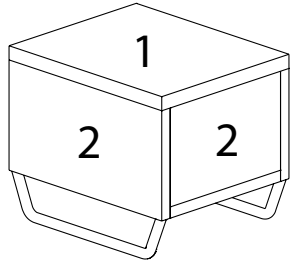
- 1 Select Basic Model
- 2 Select Primary Laminate Option
[See End of Section for Finish Options](#)
- 3 Select Secondary Laminate Option
[See End of Section for Finish Options](#)
- 4 Select Base Finish Option
Chrome is standard for leg finish
Wood legs are a special order
- 5 Select Primary Edge Color Option
[See End of Section for Finish Options](#)
- 6 Select Secondary Edge Color Option
[See End of Section for Finish Options](#)
- 7 Select Glides Option
NGL - No Glides
GNY - Nylon Glides (black); add \$4

+



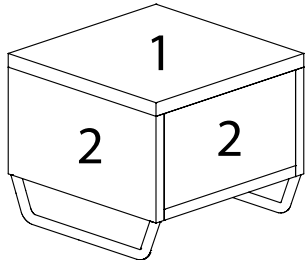
SUAVE SQUARE CUBE END TABLE

- Fully enclosed
- Width 18"
- Depth 18"
- Height 18"



SUAVE RECTANGULAR CUBE LAMP TABLE

- Fully enclosed
- Width 15"
- Depth 18"
- Height 15"



SUAVE SQUARE CUBE LAMP TABLE

- Fully enclosed
- Width 18"
- Depth 18"
- Height 15"

BASIC MODEL	PRIMARY LAMINATE (1)	SECONDARY LAMINATE (2)	BASE FINISH	PRIMARY EDGE COLOR (1)	SECONDARY EDGE COLOR (2)	GLIDES	NET PRICE
1361C	L□□	L□□S	□□	□□□	□□□	□□□	\$702
1352C	L□□	L□□S	□□	□□□	□□□	□□□	\$613
1362C	L□□	L□□S	□□	□□□	□□□	□□□	\$632

- ① ② ③ ④ ⑤ ⑥ ⑦

HOW TO ORDER

Indicate the following information on the order form:

1. Quantity of each item.
2. Model Number, including options.
(See "How to Build a Model Number.")
3. Any special service required.

Note:
The □ indicates that a choice is required.

The absence of □ indicates that no choice is required.

HOW TO BUILD A MODEL NUMBER

- 1 Select Basic Model
- 2 Select Primary Laminate Option
[See End of Section for Finish Options](#)
- 3 Select Secondary Laminate Option
[See End of Section for Finish Options](#)
- 4 Select Base Finish Option
Chrome is standard for leg finish
Wood legs are a special order
- 5 Select Primary Edge Color Option
[See End of Section for Finish Options](#)
- 6 Select Secondary Edge Color Option
[See End of Section for Finish Options](#)
- 7 Select Glides Option
NGL - No Glides
GNY - Nylon Glides (black); add \$4



Base Finish

Black	BL
Blue Gray	GR
Bronze Metallic	ZM
Cayenne	CM
Champagne Metallic	CY
Chrome	CH
Cool Grey	CG
Cottonwood	CO
Earthen Clay	EY
Espresso Metallic	EX
Everglade Shade	EV
Flannel	FN
Glitz Metallic	GZ
Hazy Jade	HJ
Honey Bee	HY
Light Tone	LG
Mardi Gras	MG
Misty Brown	MY
Nemo	NE
Nordic	ND
Poppy Red	PR
Purple Haze	PH
Rubber Ducky	RK
Sand	SA
Sky Blue	SK
Starlight Silver Metallic	SX
Surf's Up	SP
Twilight Shadow	TI
Ultra Blue	UB
Warm Grey	WG

Primary Laminate

(On Tables: Top & Side Panel Laminate; On Cube Tables: Top Laminate)

Biltmore Cherry	LBT
Black	LBK
Brighton Walnut	LBW
Canyon Zephyr	LCA
Castle Oak	LCO
Casual Linen	LCU
Cherry Storm	LCX
Classic Linen	LCL
Cloud Zephyr	LCL
Cocobala	LCC
Coffee Bean	LCB
Crisp Linen	LRI
Desert Zephyr	LDZ
Dove Grey	LDG
Fired Steel	LIL
Flax Linen	LXF
Florence Walnut	LFC
Forged Steel	LOL
Frosty White	LFW
Graphite Nebula	LGN
Grey	LGE
High Rise	LHE
Hollyberry	LHY
Irish Linen	LIH
Island	LID

Italian Silver Ash	LIT
Kensington Maple	LKM
Lapis Blue	LLB
Marketboard White	LMK
Misted Zephyr	LMR
Monticello Maple	LMT
Nickel Evolv	LNV
North Sea	LNA
Ocean	LON
Orange Grove	LOE
Pearl Bisque	LPB
Pearl Silver	LPS
Pressed Linen	LPR
River Cherry	LRY
Rugged Linen	LRG
Satin Stainless	LSS
Shadow Zephyr	LSR
Silicon Evolv	LSV
Sterling Ash	LAZ
Tailored Linen	LTL
Titanium Evolv	LTV
White Nebula	LWL
White Sand	LWN
Windsor Mahogany	LWY

Secondary Laminate

(On Tables: Shelf Laminate; On Cube Tables: Side Laminate)

Biltmore Cherry	LBTS
Black	LBKS
Brighton Walnut	LBWS
Canyon Zephyr	LCAS
Castle Oak	LCOS
Casual Linen	LCUS
Cherry Storm	LCXS
Classic Linen	LCIS
Cloud Zephyr	LCLS
Cocobala	LCCS
Coffee Bean	LCBS
Crisp Linen	LRIS
Desert Zephyr	LDZS
Dove Grey	LDGS
Fired Steel	LILS
Flax Linen	LXFS
Florence Walnut	LFCS
Forged Steel	LOLS
Frosty White	LFWS
Graphite Nebula	LGNS
Grey	LGES
High Rise	LHES
Hollyberry	LHYS
Irish Linen	LIHS
Island	LIDS
Italian Silver Ash	LITS
Kensington Maple	LKMS
Lapis Blue	LLBS
Marketboard White	LMKS
Misted Zephyr	LMRS
Monticello Maple	LMTS
Nickel Evolv	LNVS
North Sea	LNAS

Ocean	LONS
Orange Grove	LOES
Pearl Bisque	LPBS
Pearl Silver	LPSS
Misted Zephyr	LPRS
River Cherry	LRYS
Rugged Linen	LRGS
Satin Stainless	LSSS
Shadow Zephyr	LSRS
Silicon Evolv	LSVS
Sterling Ash	LAZS
Tailored Linen	LTLS
Titanium Evolv	LTVS
White Nebula	LWLS
White Sand	LWNS
Windsor Mahogany	LWYS

Primary Edge Color

Biltmore Cherry	EBT
Black	EBL
Blue Grey	EGR
Brighton Walnut	EBW
Castle Oak	ECO
Cherry Storm	ECX
Cocobala	ECC
Cool Grey	ECG
Earthen Clay	EY
Everglade Shade	EV
Flannel	EFN
Florence Walnut	EFC
Frosty White	EFW
Hazy Jade	HJ
Italian Silver Ash	EIT
Kensington Maple	EKM
Light Tone	ELG
Mardi Gras	EMG
Misty Brown	EMY
Monticello Maple	EMT
Multiplex	EMB
Nemo	ENE
Purple Haze	EPH
River Cherry	ERY
Rubber Ducky	ERK
Sand	ESA
Sterling Ash	EAZ
Surf's Up	ESP
Twilight Shadow	ETI
Ultra Blue	EUB
Warm Grey	EWG
Windsor Mahogany	EWY
Zesty Lime	EZL

Secondary Edge Color

Biltmore Cherry	SBT
Black	SBL
Blue Grey	SGR
Brighton Walnut	SBW
Castle Oak	SCO
Cherry Storm	SCX
Cocobala	SCC
Cool Grey	SCG
Earthen Clay	EY
Everglade Shade	EV
Flannel	SFN
Florence Walnut	SFC
Frosty White	SFW
Hazy Jade	HJ
Italian Silver Ash	SIT
Kensington Maple	SKM
Light Tone	SLG
Mardi Gras	SMG
Misty Brown	SMY
Monticello Maple	SMT
Multiplex	SMB
Nemo	SNE
Purple Haze	SPH
River Cherry	SRY
Rubber Ducky	SRK
Sand	SSA
Sterling Ash	SAZ
Surf's Up	SSP
Twilight Shadow	TI
Ultra Blue	SUB
Warm Grey	SWG
Windsor Mahogany	SWY
Zesty Lime	SZL

Tablet Arm - Laminate Finish

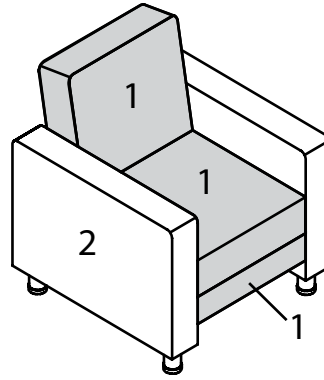
Biltmore Cherry	LBT
Black	LBK
Brighton Walnut	LBW
Canyon Zephyr	LCA
Castle Oak	LCO
Casual Linen	LCU
Cherry Storm	LCX
Classic Linen	LCL
Cloud Zephyr	LCL
Cocobala	LCC
Coffee Bean	LCB
Crisp Linen	LRI
Desert Zephyr	LDZ
Dove Grey	LDG
Fired Steel	LIL
Flax Linen	LXF
Florence Walnut	LFC
Forged Steel	LOL
Frosty White	LFW
Graphite Nebula	LGN
Grey	LGE
High Rise	LHE
Hollyberry	LHY
Irish Linen	LIH
Island	LID
Italian Silver Ash	LIT
Kensington Maple	LKM
Lapis Blue	LLB
Markerboard White	LMK
Misted Zephyr	LMR
Monticello Maple	LMT
Nickel Evolv	LNV
North Sea	LNA
Ocean	LON
Orange Grove	LOE
Pearl Bisque	LPB
Pearl Silver	LPS
Pressed Linen	LPR
River Cherry	LRY
Rugged Linen	LRG
Satin Stainless	LSS
Shadow Zephyr	LSR
Silicon Evolv	LSV
Sterling Ash	LAZ
Tailored Linen	LTL
Titanium Evolv	LTV
White Nebula	LWL
White Sand	LWN
Windsor Mahogany	LWY

Tablet Arm Edge Finish - Core

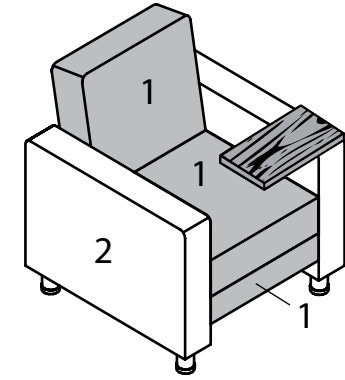
Cherry Storm on Beech	BCX2
Cinnamon on Beech	BCN2
Cocoa on Beech	BCA2
Eclipse Black on Beech	BEB2
Florence Walnut on Beech	BFC2
Kensington Maple on Maple	MMA2
Monticello Maple on Beech	BMT2
Natural on Beech	BNA2
River Cherry on Beech	BRY2

Wood Finish for Leg-Arm Cap

Cherry Storm on Beech	BCX
Cinnamon on Beech	BCN
Cocoa on Beech	BCA
Eclipse Black on Beech	BEB
Florence Walnut on Beech	BFC
*Kensington Maple on Maple MMA	
Monticello Maple on Beech	BMT
Natural on Beech	BNA
River Cherry on Beech	BRY
*Kensington Maple requires an upcharge.	



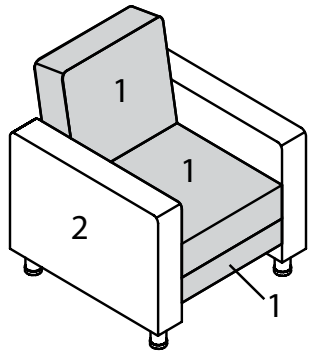
One Seat Lounge



One Seat Lounge With Tablet

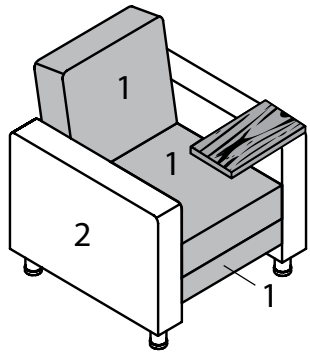
OVERALL DIMENSIONS

WIDTH (in)	31	31
DEPTH (in)	31	31
HEIGHT (in)	32	32
Volume (ft ³)	18	18
Weight (lbs)	85	85
COM (yds)	6	6



One Seat Lounge

- High-density/high-resiliency foam
- Removable seat cushions
- High resistance plywood on seat and back helps prevent frame from cracking, shrinking, swelling, and warping.
- Steel frame construction allows for product longevity and easy replacement of parts.
- Seat, back, cushion, skirt, arms, and legs may be replaced separately if damaged, preventing the need to re-order a complete chair.



One Seat Lounge With Tablet

- High-density/high-resiliency foam
- Removable seat cushions
- High resistance plywood on seat and back helps prevent frame from cracking, shrinking, swelling, and warping.
- Steel frame construction allows for product longevity and easy replacement of parts.
- Seat, back, cushion, skirt, arms, and legs may be replaced separately if damaged, preventing the need to re-order a complete chair.
- Available with tablet option.

FABRIC OPTION	BASIC MODEL	LEG STYLE	TABLET OPTION	LAMINATE COLOR	POWER-DATA CENTER	REAR HANDLE	NET PRICE
Non-Contrasting	5600-SF-1S-NC	□□□□			□□□□□	P18	\$871
Contrasting	5600-SF-1S-FC	□□□□			□□□□□	P18	\$1,071



HOW TO ORDER

- Indicate the following information on the order form:
1. Quantity of each item.
 2. Model Number, including options. (See "How to Build a Model Number.")
 3. Any special service required.

Note:
The □ indicates that a choice is required.
The absence of □ indicates that no choice is required.

HOW TO BUILD A MODEL NUMBER

- 1 Select Basic Model**
- 2 Select Leg Style**
PPSL - Metal w/ Silver Finish
CCSL - Carpet Caster
TTBK - Tapered Wood (Black)
TTRM - Tapered Wood (Natural)
TTLT - Tapered Wood (Truffle)
TTCO - Tapered Wood (Cognac)
TTCW - Tapered Wood (Walnut)
TTLE - Tapered Wood (Espresso)
[See Color Addendum at end of Price List](#)
- 3 Select Tablet Option (Direction when seated)**
TLM - Laminate tablet on LEFT
TRM - Laminate tablet on RIGHT
TDM - Dual laminate tablet on LEFT and RIGHT

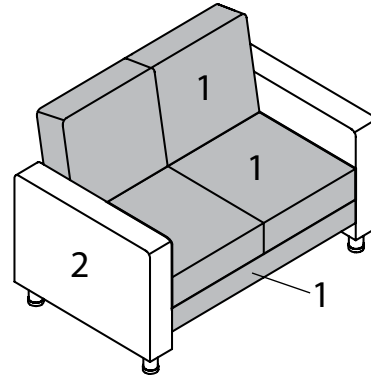
- 4 Select Tablet Laminate Color**
[See Color Addendum at end of Price List](#)
- 5 Select Power-Data Center**
Power-Data Center is a **\$306 upcharge**
[See Electrical Placement Options at end of Price List](#)

Note: If no power-data center desired leave blank
- 6 Select Rear Handle**
P18 - Rear handle **ADD \$30**
Note: Rear Handle ONLY available with caster leg style **If no rear handle is desired leave blank**

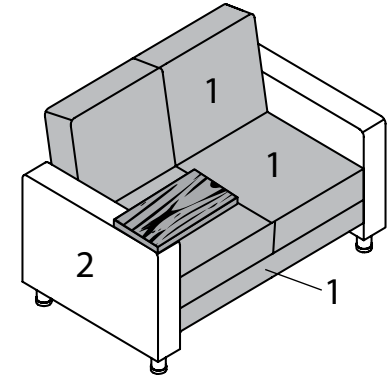
Select Fabric
Cards are available online and by request
[See ShopBCE](#)

Non-Contrasting Fabric - only list one color

Contrasting Fabric - list colors in order; color "1" first, color "2" second, etc. (Use photo of product for reference)



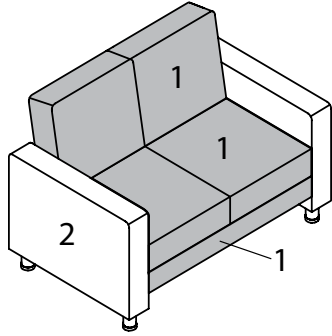
Two Seat Lounge



Two Seat Lounge With Tablet

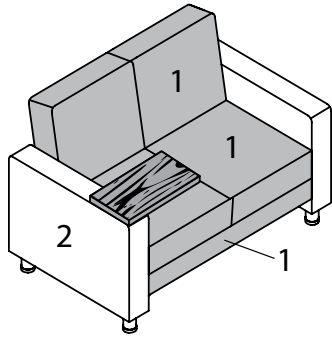
OVERALL DIMENSIONS

WIDTH (in)	52	52
DEPTH (in)	31	31
HEIGHT (in)	32	32
Volume (ft ³)	30	30
Weight (lbs)	115	115
COM (yds)	8	8



Two Seat Lounge

- High-density/high-resiliency foam
- Removable seat cushions
- High resistance plywood on seat and back helps prevent frame from cracking, shrinking, swelling, and warping.
- Steel frame construction allows for product longevity and easy replacement of parts.
- Seat, back, cushion, skirt, arms, and legs may be replaced separately if damaged, preventing the need to re-order a complete sofa.



Two Seat Lounge With Tablet

- High-density/high-resiliency foam
- Removable seat cushions
- High resistance plywood on seat and back helps prevent frame from cracking, shrinking, swelling, and warping.
- Steel frame construction allows for product longevity and easy replacement of parts.
- Seat, back, cushion, skirt, arms, and legs may be replaced separately if damaged, preventing the need to re-order a complete sofa.
- Available with tablet option.

FABRIC OPTION	BASIC MODEL	LEG STYLE	TABLET OPTION	LAMINATE COLOR	POWER-DATA CENTER	REAR HANDLE	NET PRICE
Non-Contrasting	5600-SF-2S-NC	□□□□		□□□□	□□□□□	P18	\$1,157
Contrasting	5600-SF-2S-FC	□□□□		□□□□	□□□□□	P18	\$1,357

Non-Contrasting	5600-SF-2S-NC	□□□□	T□□	□□	□□□□□	P18	\$1,497
Contrasting	5600-SF-2S-FC	□□□□	T□□	□□	□□□□□	P18	\$1,697

- 1
- 2
- 3
- 4
- 5
- 6

HOW TO ORDER

- Indicate the following information on the order form:
1. Quantity of each item.
 2. Model Number, including options.
(See "How to Build a Model Number.")
 3. Any special service required.

Note:
The □ indicates that a choice is required.

The absence of □ indicates that no choice is required.

HOW TO BUILD A MODEL NUMBER

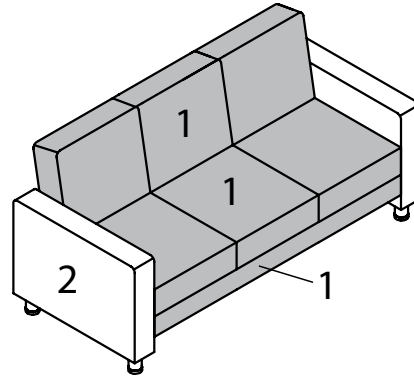
- 1 Select Basic Model**
- 2 Select Leg Style**
PPSL - Metal w/ Silver Finish
CCSL - Carpet Caster
TTBK - Tapered Wood (Black)
TTRM - Tapered Wood (Natural)
TTLT - Tapered Wood (Truffle)
TTCO - Tapered Wood (Cognac)
TTCW - Tapered Wood (Walnut)
TTLE - Tapered Wood (Espresso)
[See Color Addendum at end of Price List](#)
- 3 Select Tablet Option (Direction when seated)**
TLM - Laminate tablet on LEFT
TRM - Laminate tablet on RIGHT
TDM - Dual lamianta tablet on LEFT and RIGHT
- 4 Select Tablet Laminate Color**
[See Color Addendum at end of Price List](#)
- 5 Select Power-Data Center**
Power-Data Center is a \$306 upcharge
[See Electrical Placement Options at end of Price List](#)

Note: If no power-data center desired leave blank
- 6 Select Rear Handle**
P18 - Rear handle ADD \$63
Note: Rear Handle ONLY available with caster leg style **If no rear handle is desired leave blank**

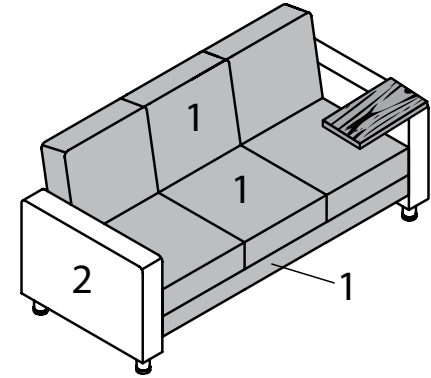
Select Fabric
Cards are available online and by request
[See ShopBCE](#)

Non-Contrasting Fabric - only list one color

Contrasting Fabric - list colors in order; color "1" first, color "2" second, etc.
(Use photo of product for reference)



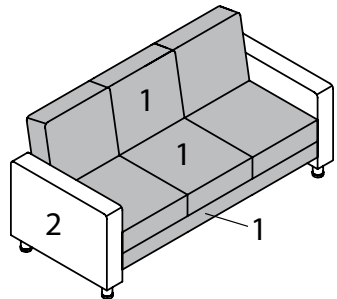
Three Seat Lounge



Three Seat Lounge With Tablet

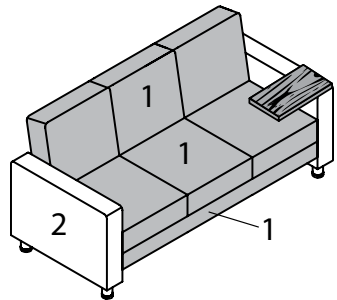
OVERALL DIMENSIONS

WIDTH (in)	73	73
DEPTH (in)	31	31
HEIGHT (in)	32	32
Volume (ft ³)	42	42
Weight (lbs)	147	147
COM (yds)	10	10



Three Seat Lounge

- High-density/high-resiliency foam
- Removable seat cushions
- High resistance plywood on seat and back helps prevent frame from cracking, shrinking, swelling, and warping.
- Steel frame construction allows for product longevity and easy replacement of parts.
- Seat, back, cushion, skirt, arms, and legs may be replaced separately if damaged, preventing the need to re-order a complete sofa.



Three Seat Lounge With Tablet

- High-density/high-resiliency foam
- Removable seat cushions
- High resistance plywood on seat and back helps prevent frame from cracking, shrinking, swelling, and warping.
- Steel frame construction allows for product longevity and easy replacement of parts.
- Seat, back, cushion, skirt, arms, and legs may be replaced separately if damaged, preventing the need to re-order a complete sofa.
- Available with tablet option.

FABRIC OPTION	BASIC MODEL	LEG STYLE	TABLET OPTION	LAMINATE COLOR	POWER-DATA CENTER	REAR HANDLE	NET PRICE
Non-Contrasting	5600-SF-3S-NC	□□□□		□□□□	□□□□□	P18	\$1,482
Contrasting	5600-SF-3S-FC	□□□□		□□□□	□□□□□	P18	\$1,682

Non-Contrasting	5600-SF-3S-NC	□□□□	T□□	□□	□□□□□	P18	\$1821
Contrasting	5600-SF-3S-FC	□□□□	T□□	□□	□□□□□	P18	\$2021

- ①
- ②
- ③
- ④
- ⑤
- ⑥

HOW TO ORDER

Indicate the following information on the order form:
 1. Quantity of each item.
 2. Model Number, including options. (See "How to Build a Model Number.")
 3. Any special service required.

Note:
 The indicates that a choice is required.

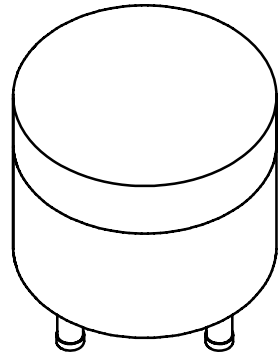
The absence of indicates that no choice is required.

HOW TO BUILD A MODEL NUMBER

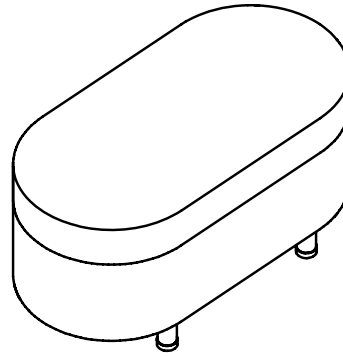
- 1 Select Basic Model
- 2 Select Leg Style
 PPSL - Metal w/ Silver Finish
 CCSL - All Surface Caster
 TTBK - Tapered Wood (Black)
 TTRM - Tapered Wood (Natural)
 TTLT - Tapered Wood (Truffle)
 TTCO - Tapered Wood (Cognac)
 TTCW - Tapered Wood (Walnut)
 TTLE - Tapered Wood (Espresso)
[See Color Addendum at end of Price List](#)
- 3 Select Tablet Option (Direction when seated)
 TLM - Laminate tablet on LEFT
 TRM - Laminate tablet on RIGHT
 TDM - Dual lamianta tablet on LEFT and RIGHT

- 4 Select Tablet Laminate Color
[See Color Addendum at end of Price List](#)
- 5 Select Power/Data Center
 Power/Data Center is a \$306 upcharge
[See Electrical Placement Options at end of Price List](#)
 Note: If no power/data center desired leave blank
- 6 Select Rear Handle
 P18 - Rear handle **ADD \$63**
 Note: Rear Handle ONLY available with caster leg style **If no rear handle is desired leave blank**

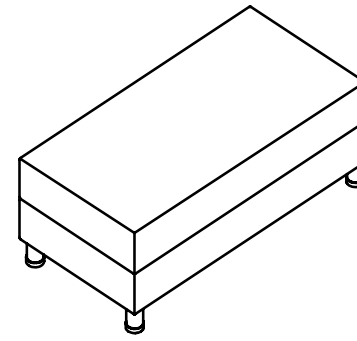
Select Fabric
 Cards are available online and by request
[See ShopBCE](#)
 Non-Contrasting Fabric - only list one color
 Contrasting Fabric - list colors in order; color "1" first, color "2" second, etc. (Use photo of product for reference)



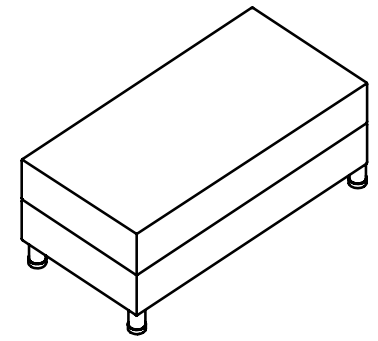
Round Ottoman



Racetrack Ottoman



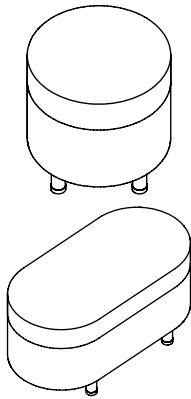
18in Depth Ottoman



24in Depth Ottoman

OVERALL DIMENSIONS

	Round Ottoman			Racetrack Ottoman	18in Depth Ottoman					24in Depth Ottoman			
WIDTH (in)	18	24	30	48	18	24	36	48	60	24	36	48	60
DEPTH (in)	18	24	30	24	18	18	18	18	18	24	24	24	24
HEIGHT (in)	17.5	17.5	17.5	17.5	17.5	17.5	17.5	17.5	17.5	17.5	17.5	17.5	17.5
Volume (ft³)	3	6	9	12	3	4	7	9	11	6	9	12	15
Weight (lbs)	21	28	42	42	23	29	35	41	47	30	36	42	48
COM (yds)	2	2	2	4	2	2	3	3	4	2	3	4	5



	W x D	BASIC MODEL	LEG FINISH	NET PRICE
Round Ottoman	18 x 18	5600-OR-1818	□□□□	\$647
	24 x 24	5600-OR-1S	□□□□	\$717
	30 x 30	5600-OR-3030	□□□□	\$798
Racetrack Ottoman	48 x 24	5600-OR-2S	□□□□	\$936

1

2

HOW TO ORDER

- Indicate the following information on the order form:
1. Quantity of each item.
 2. Model Number, including options.
(See "How to Build a Model Number.")
 3. Any special service required.

Note:
The □ indicates that a choice is required.

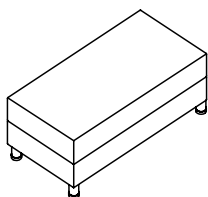
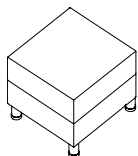
The absence of □ indicates that no choice is required.

HOW TO BUILD A MODEL NUMBER

- 1 **Select Basic Model**
- 2 **Select Leg Style**
 PPSL - Metal w/ Silver Finish
 CCSL - All Surface Caster
 TTBK - Tapered Wood (Black)
 TTRM - Tapered Wood (Natural)
 TTLT - Tapered Wood (Truffle)
 TTCO - Tapered Wood (Cognac)
 TTCW - Tapered Wood (Walnut)
 TTLE - Tapered Wood (Espresso)
[See Color Addendum at end of Price List](#)

Select Fabric
 Cards are available online and by request
[See ShopBCE](#)

+



	W x D	BASIC MODEL	LEG FINISH	NET PRICE
Square Ottoman	18 x 18	5600-OT-1818	□□□□	\$554
	24 x 24	5600-OT-1S	□□□□	\$625
Rectangle Ottoman	24 x 18	5600-OT-2418	□□□□	\$607
	36 x 18	5600-OT-3618	□□□□	\$723
	48 x 18	5600-OT-4818	□□□□	\$838
	60 x 18	5600-OT-6018	□□□□	\$897
	36 x 24	5600-OT-3624	□□□□	\$734
	48 x 24	5600-OT-2S	□□□□	\$845
	60 x 24	5600-OT-6024	□□□□	\$952

1

2

HOW TO ORDER

- Indicate the following information on the order form:
1. Quantity of each item.
 2. Model Number, including options.
(See "How to Build a Model Number.")
 3. Any special service required.

Note:
The □ indicates that a choice is required.

The absence of □ indicates that no choice is required.

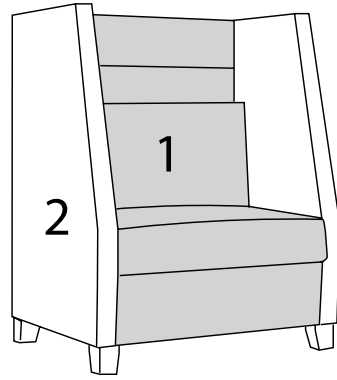
HOW TO BUILD A MODEL NUMBER

- 1 **Select Basic Model**
- 2 **Select Leg Style**
 PPSL - Metal w/ Silver Finish
 CCSL - Carpet Caster
 TTBK - Tapered Wood (Black)
 TTRM - Tapered Wood (Natural)
 TTLT - Tapered Wood (Truffle)
 TTCO - Tapered Wood (Cognac)
 TTCW - Tapered Wood (Walnut)
 TTLE - Tapered Wood (Espresso)
[See Color Addendum at end of Price List](#)

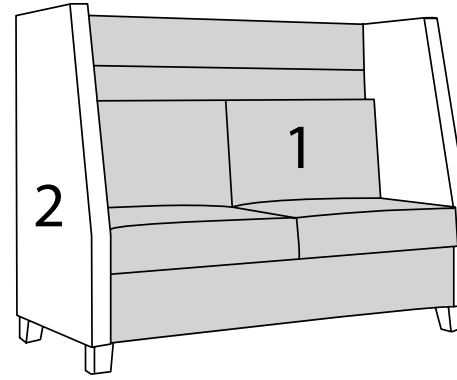
Select Fabric
Cards are available online and by request

[See ShopBCE](#)

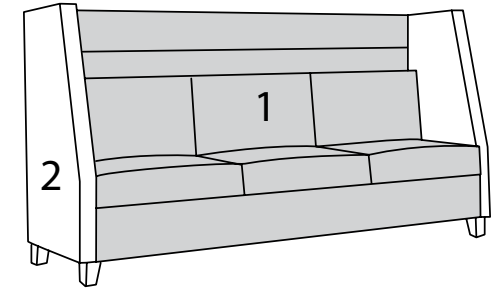
+



3001



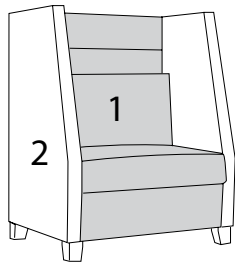
3002



3003

OVERALL DIMENSIONS

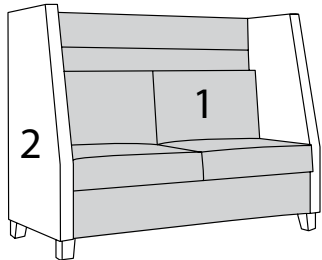
WIDTH	37"	55"	79-1/2"
DEPTH	31"	31"	31"
HEIGHT	48"	48"	48"
SEAT HEIGHT	18-1/2"	18-1/2"	18-1/2"



TRULLO ONE-SEATER LOUNGE

- Fully upholstered modular construction
- Molded plywood shell for strength
- High-density, high-resiliency foam
- Brushed aluminum legs with plastic glides
- Electrical port is optional
- ANSI/BIFMA approved
- TB117-2013 compliant
- Non-contrast C.O.M - 11 yds
- 1 - Seat, Back, Front Border(Fabric Contrast 1) C.O.M. - 5 yd
- 2 - Arms(Fabric Contrast 2) C.O.M. - 6 yd

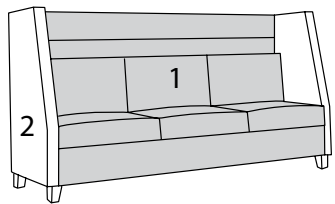
FABRIC OPTION	BASIC MODEL	ELECTRICAL PORT OPTION	ELECTRICAL PORT SIDE	NET PRICE
Non-Contrasting	3001-NC	<input type="checkbox"/>	<input type="checkbox"/>	\$1,329
Contrasting	3001-FC	<input type="checkbox"/>	<input type="checkbox"/>	\$1,529



TRULLO TWO-SEATER LOUNGE

- Fully upholstered modular construction
- Molded plywood shell for strength
- High-density, high-resiliency foam
- Brushed aluminum legs with plastic glides
- Electrical port is optional
- ANSI/BIFMA approved
- TB117-2013 compliant
- Non-contrast C.O.M - 16 yds
- 1 - Seat, Back, Front Border(Fabric Contrast 1) C.O.M. - 8 yd
- 2 - Arms(Fabric Contrast 2) C.O.M. - 8 yd

FABRIC OPTION	BASIC MODEL	ELECTRICAL PORT OPTION	ELECTRICAL PORT SIDE	NET PRICE
Non-Contrasting	3002-NC	<input type="checkbox"/>	<input type="checkbox"/>	\$1607
Contrasting	3002-FC	<input type="checkbox"/>	<input type="checkbox"/>	\$1,807



TRULLO THREE-SEATER LOUNGE

- Fully upholstered modular construction
- Molded plywood shell for strength
- Brushed aluminum legs with plastic glides
- Sturdy brushed aluminum legs
- Electrical port is optional
- ANSI/BIFMA approved
- TB117-2013 compliant
- Non-contrast C.O.M - 20 yds
- 1 - Seat, Back, Front Border(Fabric Contrast 1) C.O.M. - 10 yd
- 2 - Arms(Fabric Contrast 2) C.O.M. - 10 yd

FABRIC OPTION	BASIC MODEL	ELECTRICAL PORT OPTION	ELECTRICAL PORT SIDE	NET PRICE
Non-Contrasting	3003-NC	<input type="checkbox"/>	<input type="checkbox"/>	\$2,372
Contrasting	3003-FC	<input type="checkbox"/>	<input type="checkbox"/>	\$3,622

①

②

③

HOW TO ORDER

- Indicate the following information on the order form:
1. Quantity of each item.
 2. Model Number, including options. (See "How to Build a Model Number.")
 3. Any special service required.

Note:

The indicates that a choice is required.

The absence of indicates that no choice is required.

HOW TO BUILD A MODEL NUMBER

- 1 **Select Basic Model**
- 2 **Select Electrical Port Option**
(Leave blank if selecting no port)
EL - Electrical Port (Specify LH or RH); **add \$122**
- 3 **Select Electrical Port Placement**
(Leave blank if selecting no port)
LH - Seated Left hand side
RH - Seated Right hand side

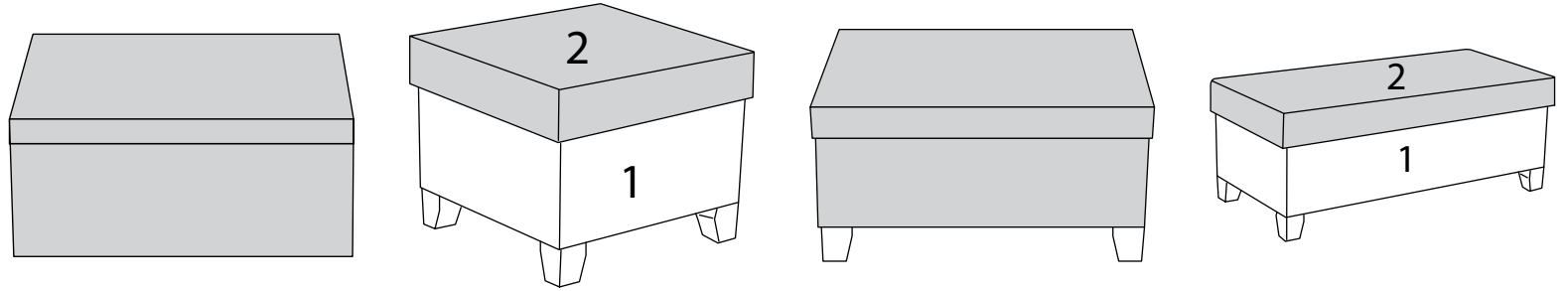
Select Fabric

Cards are available online and by request

[See ShopBCE](#)

Non-Contrasting Fabric - only list one color

Contrasting Fabric - list colors in order; color "1" first, color "2" second, etc. (Use photo of product for reference)



3011

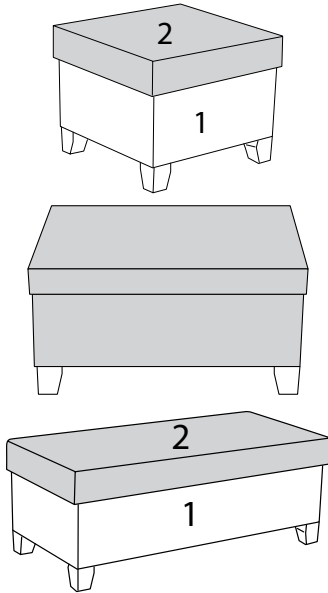
3022

3032

3047

OVERALL DIMENSIONS

	3011	3022	3032	3047
WIDTH	23-1/4"	22"	23-1/4"	47"
DEPTH	22"	22-1/5"	22"	22-1/2"
HEIGHT	13-3/4"	18-1/2"	13-3/4"	18-1/2"
SEAT HEIGHT	N/A	18-1/2"	N/A	18-1/2"



TRULLO SINGLE BENCH

- Fully upholstered
- High-density, high-resiliency foam
- Polished aluminum legs with plastic glides
- C.O.M. Fabric Option - 2 yd
- 1 - Body(Fabric Contrast 1) C.O.M. - 1 yd
- 2 - Cushion(Fabric Contrast 2) C.O.M. - 1 yd
- ANSI/BIFMA approved
- TB117-2013 compliant

TRULLO UPHOLSTERED TABLE

- Fully upholstered
- Polished aluminum legs with plastic glides
- C.O.M. Fabric Option - 2 yd
- ANSI/BIFMA approved
- TB117-2013 compliant

TRULLO DOUBLE BENCH

- Fully upholstered
- High-density, high-resiliency foam
- Polished aluminum legs with plastic glides
- C.O.M. Fabric Option - 2 yd
- 1 - Body(Fabric Contrast 1) C.O.M. - 2 yd
- 2 - Cushion(Fabric Contrast 2) C.O.M. - 2 yd
- ANSI/BIFMA approved
- TB117-2013 compliant

FABRIC OPTION	BASIC MODEL	ELECTRICAL PORT OPTION	ELECTRICAL PORT SIDE	NET PRICE
Non-Contrasting	3022-NC	<input type="checkbox"/>	<input type="checkbox"/>	\$543
Contrasting	3022-FC	<input type="checkbox"/>	<input type="checkbox"/>	\$693
Non-Contrasting	3032-NC	<input type="checkbox"/>	<input type="checkbox"/>	\$1004
Non-Contrasting	3047-NC	<input type="checkbox"/>	<input type="checkbox"/>	\$802
Contrasting	3047-FC	<input type="checkbox"/>	<input type="checkbox"/>	\$952

1

2

3

HOW TO ORDER

Indicate the following information on the order form:

1. Quantity of each item.
2. Model Number, including options. (See "How to Build a Model Number.")
3. Any special service required.

Note:
The indicates that a choice is required.

The absence of indicates that no choice is required.

HOW TO BUILD A MODEL NUMBER

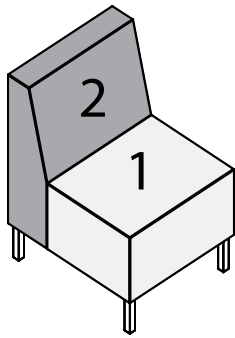
- 1 Select Basic Model
- 2 Select Electrical Port Options (Optional)
EL - Electrical Port (Specify LH or RH); **add \$122**
- 3 Select Electrical Port Placement
LH - Seated Left hand side
RH - Seated Right hand side

Select Fabric
Cards are available online and by request

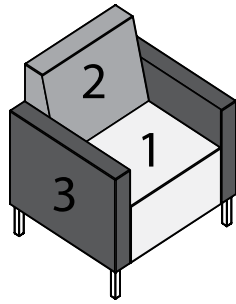
[See ShopBCE](#)

Non-Contrasting Fabric - only list one color

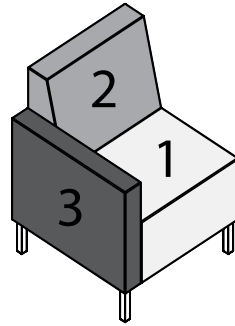
Contrasting Fabric - list colors in order; color "1" first, color "2" second, etc. (Use photo of product for reference)



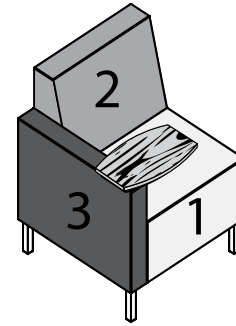
One Seater No Arms



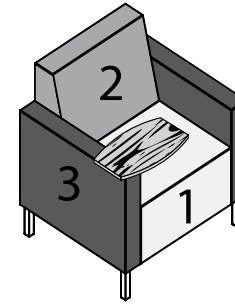
One Seater Two Arm



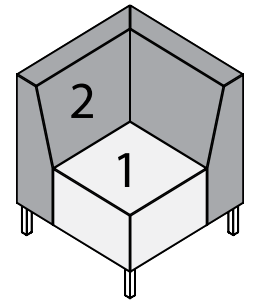
One Seater One Arm



One Seater One Arm With Tablet



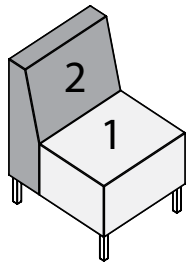
One Seater Two Arm With Tablet



One Seater Corner Unit

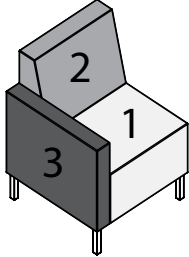
OVERALL DIMENSIONS

	One Seater No Arms	One Seater Two Arm	One Seater One Arm	One Seater One Arm With Tablet	One Seater Two Arm With Tablet	One Seater Corner Unit
WIDTH (in)	24	32	28	28	32	24
DEPTH (in)	28	28	28	28	28	28
HEIGHT (in)	32.5	32.5	32.5	32.5	32.5	32.5
Volume (ft ³)	13.5	18	15.5	16	18	13.5
Weight (lbs)	44	72	58	68	82	44



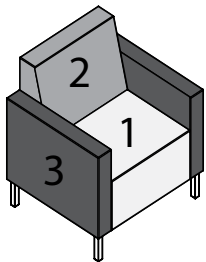
One Seater No Arms

- Available in both Contrasting and Non-Contrasting Fabric Options
- Non-contrast C.O.M - 3 yds
- 1 - Seat(Fabric Contrast 1) C.O.M. - 2 yd
- 2 - Back(Fabric Contrast 2) C.O.M. - 2 yd



One Seater One Arm

- Available in both Contrasting and Non-Contrasting Fabric Options
- Non-contrast C.O.M - 4 yds
- 1 - Seat(Fabric Contrast 1) C.O.M. - 2 yd
- 2 - Back(Fabric Contrast 2) C.O.M. - 2 yd
- 3 - Arm(Fabric Contrast 3) C.O.M. - 2yd



One Seater Two Arm

- Available in both Contrasting and Non-Contrasting Fabric Options
- Non-contrast C.O.M - 6 yds
- 1 - Seat(Fabric Contrast 1) C.O.M. - 2 yd
- 2 - Back(Fabric Contrast 2) C.O.M. - 2 yd
- 3 - Arms(Fabric Contrast 3) C.O.M. - 4yd

ARM DIRECTION	FABRIC OPTION	BASIC MODEL	POWER-DATA CENTER	NET PRICE
	Non-Contrasting	4033-NC-SF-1S-NA-HHSL	□□□□□	\$993
	Contrasting	4033-FC-SF-1S-NA-HHSL	□□□□□	\$1,143
Right	Non-Contrasting	4033-NC-SF-1S-AR25-HHSL	□□□□□	\$1145
Right	Contrasting	4033-FC-SF-1S-AR25-HHSL	□□□□□	\$1,295
Left	Non-Contrasting	4033-NC-SF-1S-AL25-HHSL	□□□□□	\$1,145
Left	Contrasting	4033-FC-SF-1S-AL25-HHSL	□□□□□	\$1,295
	Non-Contrasting	4033-NC-SF-1S-WA25-HHSL	□□□□□	\$1,282
	Contrasting	4033-FC-SF-1S-WA25-HHSL	□□□□□	\$1,431

1

2

HOW TO ORDER

- Indicate the following information on the order form:
1. Quantity of each item.
 2. Model Number, including options. (See "How to Build a Model Number.")
 3. Any special service required.

Note:
The □ indicates that a choice is required.

The absence of □ indicates that no choice is required.

HOW TO BUILD A MODEL NUMBER

- 1 **Select Basic Model**
- 2 **Select Power-Data Center**
 Power-Data Center is a \$306 upcharge
[See Electrical Placement Options at end of Price List](#)

Note: If no power-data center desired leave blank

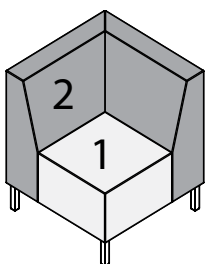
Select Fabric

Cards are available online and by request

[See ShopBCE](#)

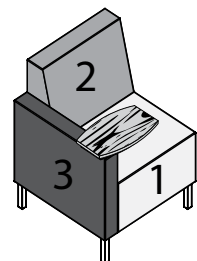
Non-Contrasting Fabric - only list one color

Contrasting Fabric - list colors in order; color "1" first, color "2" second, etc. (Use photo of product for reference)



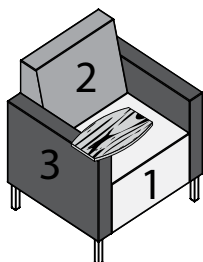
One Seater Corner Unit

- Available in both Contrasting and Non-Contrasting Fabric Options
- Non-contrast C.O.M - 5 yds
- 1 - Seat(Fabric Contrast 1) C.O.M. - 2 yd
- 2 - Back(Fabric Contrast 2) C.O.M. - 4 yd



One Seater One Arm With Tablet

- Available in both Contrasting and Non-Contrasting Fabric Options
- Non-contrast C.O.M - 4 yds
- 1 - Seat(Fabric Contrast 1) C.O.M. - 2 yd
- 2 - Back(Fabric Contrast 2) C.O.M. - 3 yd
- 3 - Arms(Fabric Contrast 3) C.O.M. - 2yd



One Seater Two Arm With Tablet

- Available in both Contrasting and Non-Contrasting Fabric Options
- Non-contrast C.O.M - 5 yds
- 1 - Seat(Fabric Contrast 1) C.O.M. - 2 yd
- 2 - Back(Fabric Contrast 2) C.O.M. - 3 yd
- 3 - Arms(Fabric Contrast 3) C.O.M. - 4yd

TABLET-ARM DIRECTION	FABRIC OPTION	BASIC MODEL	TABLET COLOR	POWER-DATA CENTER	NET PRICE
	Non-Contrasting	4033-NC-SF-CU-HHSL		□□□□□	\$1,672
	Contrasting	4033-FC-SF-CU-HHSL		□□□□□	\$1,822
Right	Non-Contrasting	4033-NC-SF-1S-AR25-HHSL-TRM	□□	□□□□□	\$1,169
Right	Contrasting	4033-FC-SF-1S-AR25-HHSL-TRM	□□	□□□□□	\$1,320
Left	Non-Contrasting	4033-NC-SF-1S-AL25-HHSL-TLM	□□	□□□□□	\$1,169
Left	Contrasting	4033-FC-SF-1S-AL25-HHSL-TLM	□□	□□□□□	\$1,320
Right	Non-Contrasting	4033-NC-SF-1S-WA25-HHSL-TRM	□□	□□□□□	\$1,605
Right	Contrasting	4033-FC-SF-1S-WA25-HHSL-TRM	□□	□□□□□	\$1,755
Left	Non-Contrasting	4033-NC-SF-1S-WA25-HHSL-TLM	□□	□□□□□	\$1,605
Left	Contrasting	4033-FC-SF-1S-WA25-HHSL-TLM	□□	□□□□□	\$1,755

1

2

3

HOW TO ORDER

- Indicate the following information on the order form:
1. Quantity of each item.
 2. Model Number, including options. (See "How to Build a Model Number.")
 3. Any special service required.

Note:
The □ indicates that a choice is required.

The absence of □ indicates that no choice is required.

HOW TO BUILD A MODEL NUMBER

- 1 **Select Basic Model**
- 2 **Select Tablet Color**
[See Color Addendum at end of Price List](#)
- 3 **Select Power-Data Center**
Power-Data Center is a \$305 upcharge
[See Electrical Placement Options at end of Price List](#)

Note: If no power-data center desired leave blank

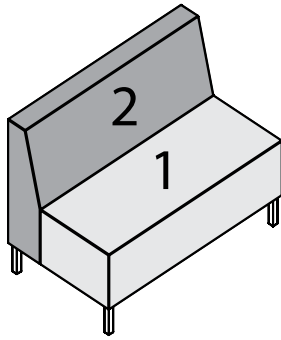
Select Fabric

Cards are available online and by request

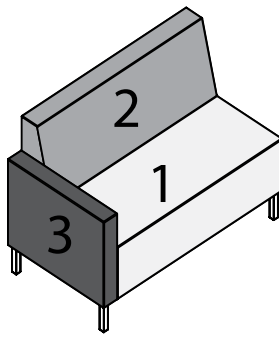
[See ShopBCE](#)

Non-Contrasting Fabric - only list one color

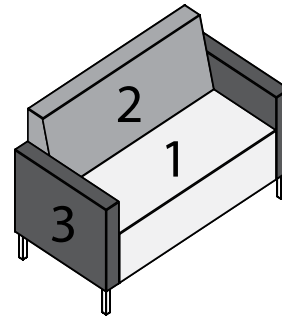
Contrasting Fabric - list colors in order; color "1" first, color "2" second, etc. (Use photo of product for reference)



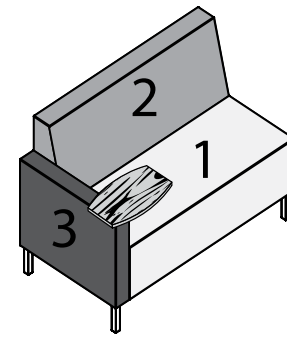
Two Seater No Arm



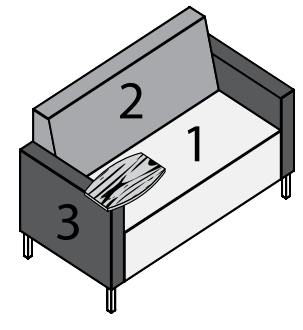
Two Seater One Arm



Two Seater Two Arms



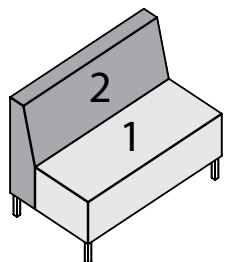
Two Seater One Arm With Tablet



Two Seater Two Arms With Tablet

OVERALL DIMENSIONS

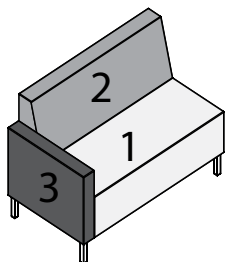
WIDTH (in)	48	52	56	52	56
DEPTH (in)	28	28	28	28	28
HEIGHT (in)	32.5	32.5	32.5	32.5	32.5
Volume (ft³)	26.5	28.75	31	28.75	31
Weight (lbs)	75	89	103	99	113



Two Seater No Arm

- Available in both Contrasting and Non-Contrasting Fabric Options
- Non-contrast C.O.M - 5 yds
- 1 - Seat(Fabric Contrast 1) C.O.M. - 2 yd
- 2 - Back(Fabric Contrast 2) C.O.M. - 3 yd

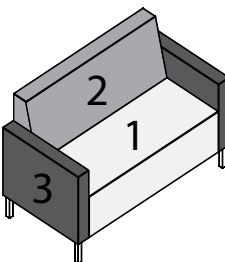
ARM DIRECTION	FABRIC OPTION	BASIC MODEL	POWER-DATA CENTER	NET PRICE
	Non-contrasting	4033-NC-SF-2S-NA-HHSL	□□□□□	\$1,448
	Contrasting	4033-FC-SF-2S-NA-HHSL	□□□□□	\$1,598



Two Seater One Arm

- Available in both Contrasting and Non-Contrasting Fabric Options
- Non-contrast C.O.M - 6 yds
- 1 - Seat(Fabric Contrast 1) C.O.M. - 2 yd
- 2 - Back(Fabric Contrast 2) C.O.M. - 4 yd
- 3 - Arm(Fabric Contrast 3) C.O.M. - 2 yd

Right	Non-Contrasting	4033-NC-SF-2S-AR25-HHSL	□□□□□	\$1,541
Right	Contrasting	4033-FC-SF-2S-AR25-HHSL	□□□□□	\$1,691
Left	Non-Contrasting	4033-NC-SF-2S-AL25-HHSL	□□□□□	\$1,541
Left	Contrasting	4033-FC-SF-2S-AL25-HHSL	□□□□□	\$1,691



Two Seater Two Arms

- Available in both Contrasting and Non-Contrasting Fabric Options
- Non-contrast C.O.M - 7 yds
- 1 - Seat(Fabric Contrast 1) C.O.M. - 2 yd
- 2 - Back(Fabric Contrast 2) C.O.M. - 4 yd
- 3 - Arms(Fabric Contrast 3) C.O.M. - 4 yd

	Non-Contrasting	4033-NC-SF-2S-WA25-HHSL	□□□□□	\$1,670
	Contrasting	4033-FC-SF-2S-WA25-HHSL	□□□□□	\$1,820

①

②

HOW TO ORDER

- Indicate the following information on the order form:
1. Quantity of each item.
 2. Model Number, including options. (See "How to Build a Model Number.")
 3. Any special service required.

Note:
The indicates that a choice is required.

The absence of indicates that no choice is required.

HOW TO BUILD A MODEL NUMBER

- 1 **Select Basic Model**
- 2 **Select Power-Data Center**
 Power-Data Center is a \$306 upcharge
[See Electrical Placement Options at end of Price List](#)

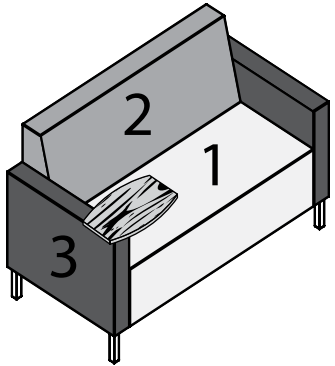
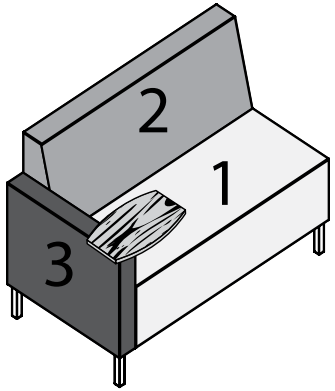
Note: If no power-data center desired leave blank

Select Fabric
Cards are available online and by request

[See ShopBCE](#)

Non-Contrasting Fabric - only list one color

 Contrasting Fabric - list colors in order; color "1" first, color "2" second, etc. (Use photo of product for reference)



Two Seater One Arm With Tablet

- Available in both Contrasting and Non-Contrasting Fabric Options
- Non-contrast C.O.M - 6 yds
- 1 - Seat(Fabric Contrast 1) C.O.M. - 2 yd
- 2 - Back(Fabric Contrast 2) C.O.M. - 4 yd
- 3 - Arm(Fabric Contrast 3) C.O.M. - 2 yd

Two Seater Two Arms With Tablet

- Available in both Contrasting and Non-Contrasting Fabric Options
- Non-contrast C.O.M - 7 yds
- 1 - Seat(Fabric Contrast 1) C.O.M. - 2 yd
- 2 - Back(Fabric Contrast 2) C.O.M. - 4 yd
- 3 - Arms(Fabric Contrast 3) C.O.M. - 4 yd

TABLET-ARM DIRECTION	FABRIC OPTION	BASIC MODEL	TABLET COLOR	POWER-DATA CENTER	NET PRICE
Right	Non-Contrasting	4033-NC-SF-2S-AR25-HHSL-TRM	☐☐	☐☐☐☐	\$1,861
Right	Contrasting	4033-FC-SF-2S-AR25-HHSL-TRM	☐☐	☐☐☐☐	\$2,011
Left	Non-Contrasting	4033-NC-SF-2S-AL25-HHSL-TLM	☐☐	☐☐☐☐	\$1,861
Left	Contrasting	4033-FC-SF-2S-AL25-HHSL-TLM	☐☐	☐☐☐☐	\$2,011
		①	②	③	

HOW TO ORDER

- Indicate the following information on the order form:
1. Quantity of each item.
 2. Model Number, including options.
(See "How to Build a Model Number.")
 3. Any special service required.

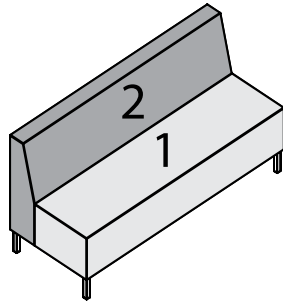
Note:
The ☐ indicates that a choice is required.

The absence of ☐ indicates that no choice is required.

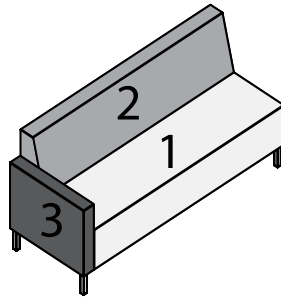
HOW TO BUILD A MODEL NUMBER

- ① **Select Basic Model**
 - ② **Select Tablet Color**
[See Color Addendum at end of Price List](#)
 - ③ **Select Power-Data Center**
Power-Data Center is a \$306 upcharge
[See Electrical Placement Options at end of Price List](#)
- Note: If no power-data center desired leave blank

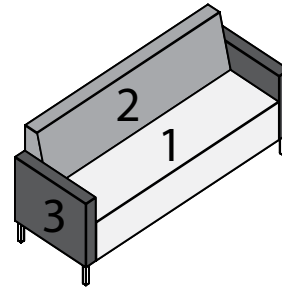
- Select Fabric**
Cards are available online and by request
[See ShopBCE](#)
- Non-Contrasting Fabric - only list one color
- Contrasting Fabric - list colors in order; color "1" first, color "2" second, etc.
(Use photo of product for reference)



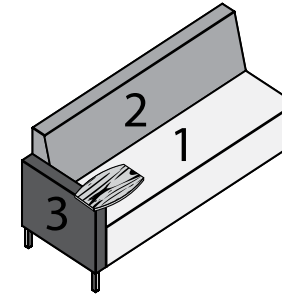
Three Seater No Arm



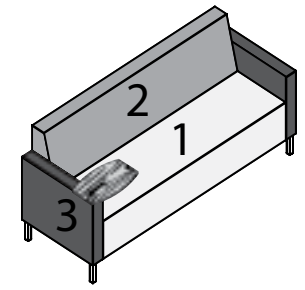
Three Seater One Arm



Three Seater Two Arms



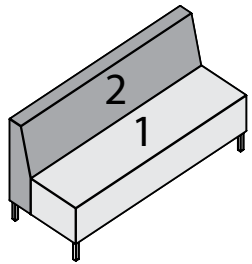
Three Seater One Arm With Tablet



Three Seater Two Arms With Tablet

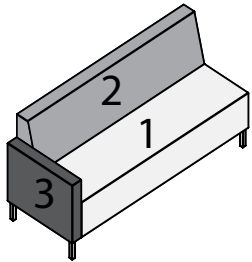
OVERALL DIMENSIONS

	Three Seater No Arm	Three Seater One Arm	Three Seater Two Arms	Three Seater One Arm With Tablet	Three Seater Two Arms With Tablet
WIDTH (in)	72	76	80	76	80
DEPTH (in)	28	28	28	28	28
HEIGHT (in)	32.5	32.5	32.5	32.5	32.5
Volume (ft ³)	39.5	42	44	42	44
Weight (lbs)	108	122	136	132	146



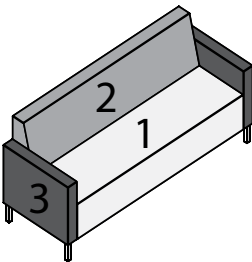
Three Seater No Arm

- Available in both Contrasting and Non-Contrasting Fabric Options
- Non-contrast C.O.M - 8 yds
- 1 - Seat(Fabric Contrast 1) C.O.M. - 3 yd
- 2 - Back(Fabric Contrast 2) C.O.M. - 5 yd



Three Seater One Arm

- Available in both Contrasting and Non-Contrasting Fabric Options
- Non-contrast C.O.M - 9 yds
- 1 - Seat(Fabric Contrast 1) C.O.M. - 3 yd
- 2 - Back(Fabric Contrast 2) C.O.M. - 5 yd
- 3 - Arm(Fabric Contrast 3) C.O.M. - 2 yd



Three Seater Two Arms

- Available in both Contrasting and Non-Contrasting Fabric Options
- Non-contrast C.O.M - 10 yds
- 1 - Seat(Fabric Contrast 1) C.O.M. - 3 yd
- 2 - Back(Fabric Contrast 2) C.O.M. - 5 yd
- 3 - Arms(Fabric Contrast 3) C.O.M. - 4 yd

ARM DIRECTION	FABRIC OPTION	BASIC MODEL	POWER-DATA CENTER	NET PRICE
	Non-Contrasting	4033-NC-SF-3S-NA-HHSL	□□□□□	\$2,061
	Contrasting	4033-FC-SF-3S-NA-HHSL	□□□□□	\$2,211
Right	Non-Contrasting	4033-NC-SF-3S-AR25-HHSL	□□□□□	\$2,205
Right	Contrasting	4033-FC-SF-3S-AR25-HHSL	□□□□□	\$2,355
Left	Non-Contrasting	4033-NC-SF-3S-AL25-HHSL	□□□□□	\$2,205
Left	Contrasting	4033-FC-SF-3S-AL25-HHSL	□□□□□	\$2,355
	Non-Contrasting	4033-NC-SF-3S-WA25-HHSL	□□□□□	\$2,349
	Contrasting	4033-FC-SF-3S-WA25-HHSL	□□□□□	\$2,499

1

2

HOW TO ORDER

- Indicate the following information on the order form:
1. Quantity of each item.
 2. Model Number, including options. (See "How to Build a Model Number.")
 3. Any special service required.

Note:
The □ indicates that a choice is required.

The absence of □ indicates that no choice is required.

HOW TO BUILD A MODEL NUMBER

- 1 **Select Basic Model**
- 2 **Select Power/Data Center**
 Power/Data Center is a \$306 upcharge
[See Electrical Placement Options at end of Price List](#)

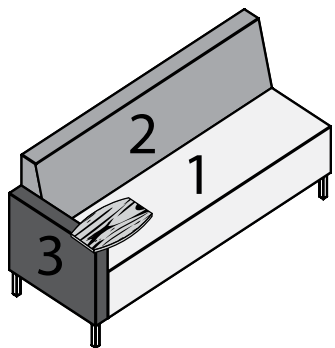
Note: If no power/data center desired leave blank

Select Fabric
Cards are available online and by request

[See ShopBCE](#)

Non-Contrasting Fabric - only list one color

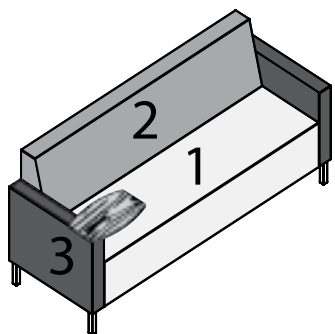
 Contrasting Fabric - list colors in order; color "1" first, color "2" second, etc. (Use photo of product for reference)



Three Seater One Arm With Tablet

- Available in both Contrasting and Non-Contrasting Fabric Options
- Non-contrast C.O.M - 9 yds
- 1 - Seat(Fabric Contrast 1) C.O.M. - 3 yd
- 2 - Back(Fabric Contrast 2) C.O.M. - 5 yd
- 3 - Arm(Fabric Contrast 3) C.O.M. - 2 yd

TABLET-ARM DIRECTION	FABRIC OPTION	BASIC MODEL	TABLET COLOR	POWER-DATA CENTER	NET PRICE
Right	Non-Contrasting	4033-NC-SF-3S-AR25-HHSL-TRM	□□	□□□□	\$2,545
Right	Contrasting	4033-FC-SF-3S-AR25-HHSL-TRM	□□	□□□□	\$2,695
Left	Non-Contrasting	4033-NC-SF-3S-AL25-HHSL-TLM	□□	□□□□	\$2,545
Left	Contrasting	4033-NC-SF-3S-AL25-HHSL-TLM	□□	□□□□	\$2,695



Three Seater Two Arms With Tablet

- Available in both Contrasting and Non-Contrasting Fabric Options
- Non-contrast C.O.M - 10 yds
- 1 - Seat(Fabric Contrast 1) C.O.M. - 3 yd
- 2 - Back(Fabric Contrast 2) C.O.M. - 5 yd
- 3 - Arms(Fabric Contrast 3) C.O.M. - 4 yd

TABLET-ARM DIRECTION	FABRIC OPTION	BASIC MODEL	TABLET COLOR	POWER-DATA CENTER	NET PRICE
Right	Non-Contrasting	4033-NC-SF-3S-WA25-HHSL-TRM	□□	□□□□	\$2,688
Right	Contrasting	4033-FC-SF-3S-WA25-HHSL-TRM	□□	□□□□	\$2,838
Left	Non-Contrasting	4033-NC-SF-3S-WA25-HHSL-TLM	□□	□□□□	\$2,688
Left	Contrasting	4033-FC-SF-3S-WA25-HHSL-TLM	□□	□□□□	\$2,838



HOW TO ORDER

- Indicate the following information on the order form:
1. Quantity of each item.
 2. Model Number, including options.
(See "How to Build a Model Number.")
 3. Any special service required.

Note:
The □ indicates that a choice is required.

The absence of □ indicates that no choice is required.

HOW TO BUILD A MODEL NUMBER

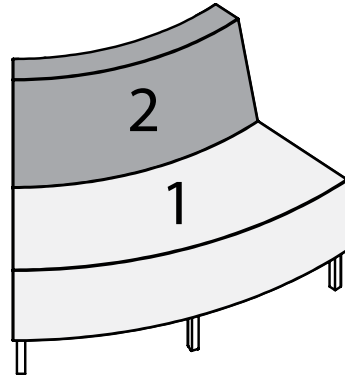
- 1 Select Basic Model**
- 2 Select Tablet Color**
[See Color Addendum at end of Price List](#)
- 3 Select Power-Data Center**
Power-Data Center is a \$306 upcharge
[See Electrical Placement Options at end of Price List](#)

Note: If no power-data center desired leave blank

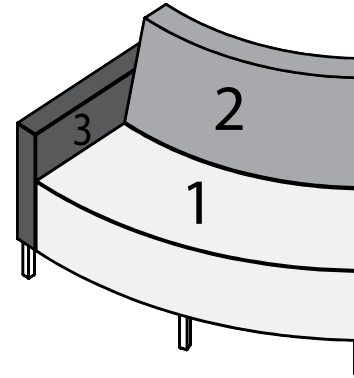
Select Fabric
Cards are available online and by request
[See ShopBCE](#)

Non-Contrasting Fabric - only list one color

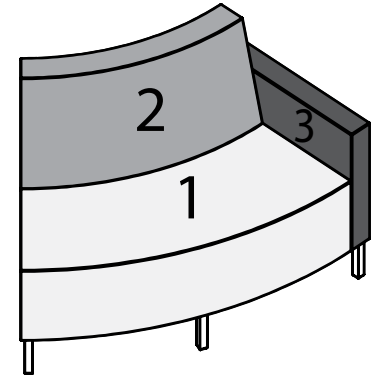
Contrasting Fabric - list colors in order; color "1" first, color "2" second, etc.
(Use photo of product for reference)



Outside Curve No Arms



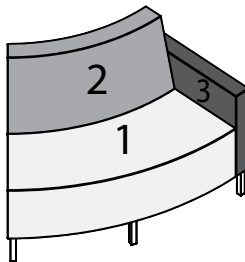
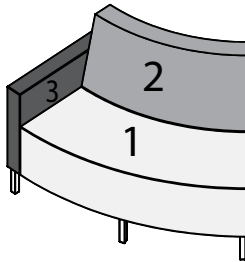
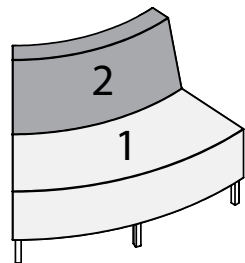
Outside Curve One Arm Right



Outside Curve One Arm Left

OVERALL DIMENSIONS

WIDTH (in)	54	58	58
DEPTH (in)	28	28	28
HEIGHT (in)	32.5	32.5	32.5
Volume (ft ³)	31	33	33
Weight (lbs)	60	74	74



Outside Curve No Arms
 • Available in both Contrasting and Non-Contrasting Fabric Options
 • Non-contrast C.O.M - 5 yds
 • 1 - Seat(Fabric Contrast 1) C.O.M. - 3 yd
 • 2 - Back(Fabric Contrast 2) C.O.M. - 3 yd

Outside Curve One Arm Right
 • Available in both Contrasting and Non-Contrasting Fabric Options
 • Non-contrast C.O.M - 6 yds
 • 1 - Seat(Fabric Contrast 1) C.O.M. - 3 yd
 • 2 - Back(Fabric Contrast 2) C.O.M. - 3 yd
 • 3 - Arm(Fabric Contrast 3) C.O.M. - 2 yd

Outside Curve One Arm Left
 • Available in both Contrasting and Non-Contrasting Fabric Options
 • Non-contrast C.O.M - 6 yds
 • 1 - Seat(Fabric Contrast 1) C.O.M. - 3 yd
 • 2 - Back(Fabric Contrast 2) C.O.M. - 3 yd
 • 3 - Arm(Fabric Contrast 3) C.O.M. - 2 yd

FABRIC OPTION	BASIC MODEL	POWER-DATA CENTER	NET PRICE
Non-Contrasting	4033-NC-SF-OC-45D-HHSL	□□□□□	\$1,640
Contrasting	4033-FC-SF-OC-45D-HHSL		\$1,790

①

②

HOW TO ORDER

Indicate the following information on the order form:
 1. Quantity of each item.
 2. Model Number, including options.
 (See "How to Build a Model Number.")
 3. Any special service required.

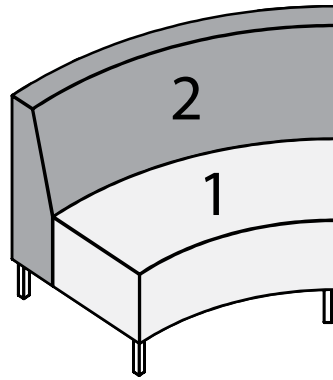
Note:
 The □ indicates that a choice is required.
 The absence of □ indicates that no choice is required.

HOW TO BUILD A MODEL NUMBER

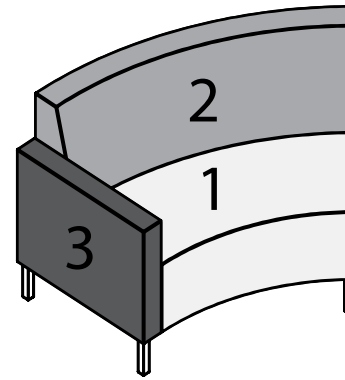
① Select Basic Model
② Select Power-Data Center
 Power-Data Center is a \$306 upcharge
[See Electrical Placement Options at end of Price List](#)
 Note: If no power-data center desired leave blank

+

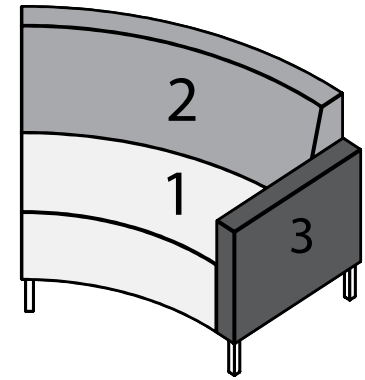
Select Fabric
 Cards are available online and by request
[See ShopBCE](#)
 Non-Contrasting Fabric - only list one color
 Contrasting Fabric - list colors in order;
 color "1" first, color "2" second, etc.
 (Use photo of product for reference)



Inside Curve No Arms



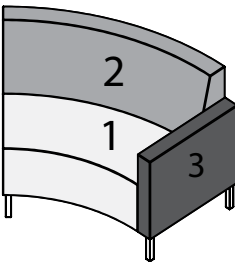
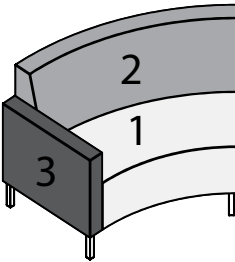
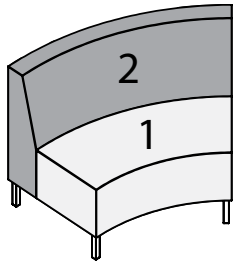
Inside Curve One Arm Right



Inside Curve One Arm Left

OVERALL DIMENSIONS

WIDTH (in)	54	58	58
DEPTH (in)	28	28	28
HEIGHT (in)	32.5	32.5	32.5
Volume (ft ³)	30	33	33
Weight (lbs)	60	74	74



Inside Curve Armless

- Available in both Contrasting and Non-Contrasting Fabric Options
- Non-contrast C.O.M - 6 yds
- 1 - Seat(Fabric Contrast 1) C.O.M. - 2 yd
- 2 - Back(Fabric Contrast 2) C.O.M. - 4 yd
- Material needs to be at least 57" wide

FABRIC OPTION	BASIC MODEL	POWER-DATA CENTER	NET PRICE
Non-Contrasting	4033-NC-SF-IC-45D-HHSL	□□□□□	\$1,724
Contrasting	4033-FC-SF-IC-45D-HHSL	□□□□□	\$1,874

Inside Curve One Arm Right

- Available in both Contrasting and Non-Contrasting Fabric Options
- Non-contrast C.O.M - 6.5 yds
- 1 - Seat(Fabric Contrast 1) C.O.M. - 2 yd
- 2 - Back(Fabric Contrast 2) C.O.M. - 4.0
- 3 - Arm(Fabric Contrast 3) C.O.M. - 2 yd

FABRIC OPTION	BASIC MODEL	POWER-DATA CENTER	NET PRICE
Non-Contrasting	4033-NC-SF-IC-45D-AR25-HHSL	□□□□□	\$1,911
Contrasting	4033-FC-SF-IC-45D-AR25-HHSL	□□□□□	\$2,061

Inside Curve One Arm Left

- Available in both Contrasting and Non-Contrasting Fabric Options
- Non-contrast C.O.M - 6.5 yds
- 1 - Seat(Fabric Contrast 1) C.O.M. - 2 yd
- 2 - Back(Fabric Contrast 2) C.O.M. - 4.0
- 3 - Arm(Fabric Contrast 3) C.O.M. - 2 yd

FABRIC OPTION	BASIC MODEL	POWER-DATA CENTER	NET PRICE
Non-Contrasting	4033-NC-SF-IC-45D-AL25-HHSL	□□□□□	\$1,911
Contrasting	4033-FC-SF-IC-45D-AL25-HHSL	□□□□□	\$2,061

①

②

HOW TO ORDER

- Indicate the following information on the order form:
- Quantity of each item.
 - Model Number, including options. (See "How to Build a Model Number.")
 - Any special service required.

Note:
The indicates that a choice is required.

The absence of indicates that no choice is required.

HOW TO BUILD A MODEL NUMBER

- Select Basic Model**
- Select Power-Data Center**
 ***Power-Data Center is a \$306 upcharge**
[See Electrical Placement Options at end of Price List](#)

Note: If no power-data center desired leave blank

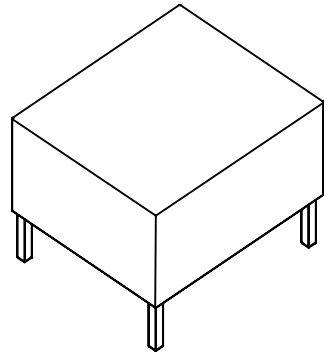
Select Fabric

Cards are available online and by request

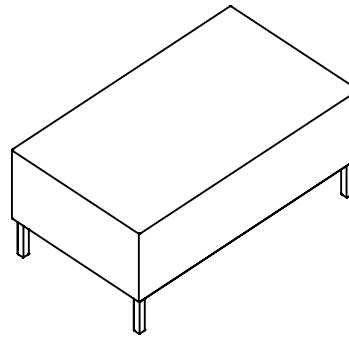
[See ShopBCE](#)

Non-Contrasting Fabric - only list one color

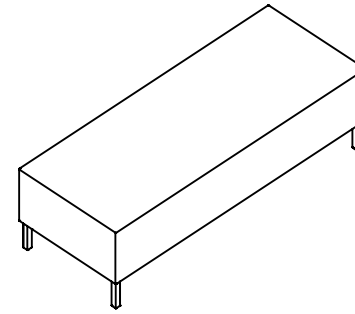
Contrasting Fabric - list colors in order; color "1" first, color "2" second, etc. (Use photo of product for reference)



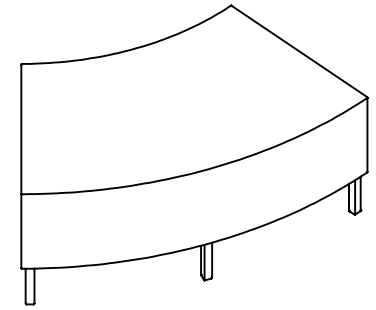
One Seat Ottoman



Two Seat Ottoman



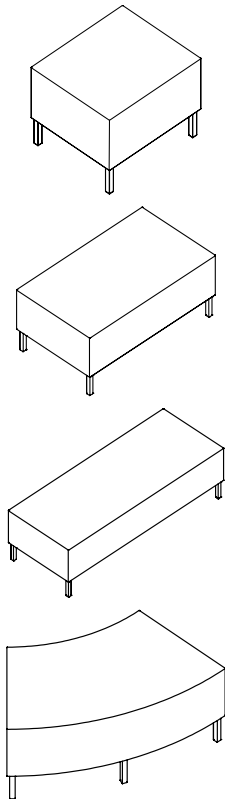
Three Seat Ottoman



Curved Ottoman

OVERALL DIMENSIONS

WIDTH (in)	24	48	72	54
DEPTH (in)	28	28	28	28
HEIGHT (in)	17.5	17.5	17.5	17.5
Volume (ft ³)	7.5	14.5	21.5	16.5
Weight (lbs)	34	54	76	47
COM (yds)	2	3	5	3



	BASIC MODEL	POWER-DATA CENTER	NET PRICE
One Seat Ottoman • Offers varying levels of privacy • Unique jigsaw construction for enhanced durability • Integrated Power/USB charging • Modular collection for agile spaces	4000-OT-1S-HHSL	<input type="checkbox"/> <input type="checkbox"/> <input type="checkbox"/> <input type="checkbox"/> <input type="checkbox"/>	\$752
Two Seat Ottoman • Offers varying levels of privacy • Unique jigsaw construction for enhanced durability • Integrated Power/USB charging • Modular collection for agile spaces	4000-OT-2S-HHSL	<input type="checkbox"/> <input type="checkbox"/> <input type="checkbox"/> <input type="checkbox"/> <input type="checkbox"/>	\$1,041
Three Seat Ottoman • Offers varying levels of privacy • Unique jigsaw construction for enhanced durability • Integrated Power/USB charging • Modular collection for agile spaces	4000-OT-3S-HHSL	<input type="checkbox"/> <input type="checkbox"/> <input type="checkbox"/> <input type="checkbox"/> <input type="checkbox"/>	\$1,348
Curved Ottoman • Offers varying levels of privacy • Unique jigsaw construction for enhanced durability • Integrated Power/USB charging • Modular collection for agile spaces	4000-OC-45D-HHSL	<input type="checkbox"/> <input type="checkbox"/> <input type="checkbox"/> <input type="checkbox"/> <input type="checkbox"/>	\$1,072

1

2

HOW TO ORDER

Indicate the following information on the order form:
 1. Quantity of each item.
 2. Model Number, including options.
 (See "How to Build a Model Number.")
 3. Any special service required.

Note:
 The indicates that a choice is required.

The absence of indicates that no choice is required.

HOW TO BUILD A MODEL NUMBER

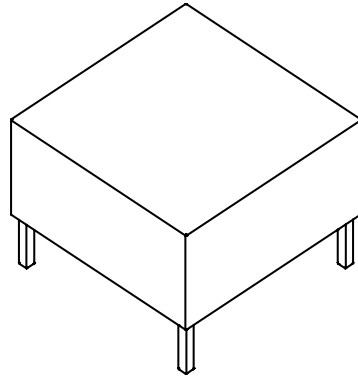
- 1 Select Basic Model
- 2 Select Power-Data Center
 Power-Data Center is a \$306 upcharge
[See Electrical Placement Options at end of Price List](#)

Note: If no power-data center desired leave blank

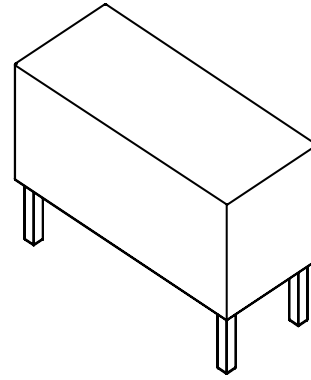
Select Fabric
 Cards are available online and by request

[See ShopBCE](#)

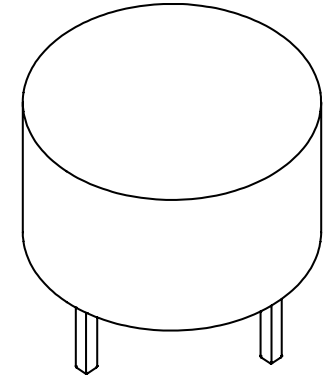
+



Corner Ottoman



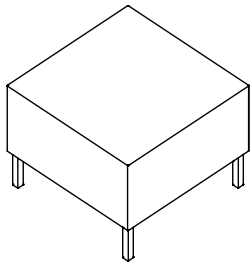
Wedge Ottoman



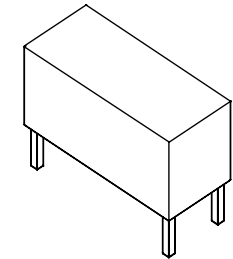
Round Ottoman

OVERALL DIMENSIONS

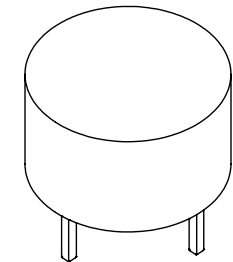
WIDTH (in)	28	12	24	30	36
DEPTH (in)	28	28	24	30	36
HEIGHT (in)	17.5	17.5	17.5	17.5	17.5
Volume (ft ³)	8.5	4	6.5	9.75	14
Weight (lbs)	34	17	21	28	35
COM (yds)	2	1.25	2.5	3	3.5



- Corner Ottoman**
- Offers varying levels of privacy
 - Unique jigsaw construction for enhanced durability
 - Integrated Power/USB charging
 - Modular collection for agile spaces



- Wedge Ottoman**
- Offers varying levels of privacy
 - Unique jigsaw construction for enhanced durability
 - Integrated Power/USB charging
 - Modular collection for agile spaces



- Round Ottoman**
- Offers varying levels of privacy
 - Unique jigsaw construction for enhanced durability
 - Integrated Power/USB charging
 - Modular collection for agile spaces

	RADIUS	BASIC MODEL	POWER-DATA CENTER	NET PRICE
Corner Ottoman		4000-OT-CU-HHSL	<input type="checkbox"/> <input type="checkbox"/> <input type="checkbox"/> <input type="checkbox"/>	\$749
Wedge Ottoman		4000-OT-12-HHSL	<input type="checkbox"/> <input type="checkbox"/> <input type="checkbox"/> <input type="checkbox"/>	\$681
Round Ottoman	24	4000-OR-24-HHSL	<input type="checkbox"/> <input type="checkbox"/> <input type="checkbox"/> <input type="checkbox"/>	\$836
	30	4000-OR-30-HHSL	<input type="checkbox"/> <input type="checkbox"/> <input type="checkbox"/> <input type="checkbox"/>	\$901
	36	4000-OR-36-HHSL	<input type="checkbox"/> <input type="checkbox"/> <input type="checkbox"/> <input type="checkbox"/>	\$988

1

2

HOW TO ORDER

- Indicate the following information on the order form:
1. Quantity of each item.
 2. Model Number, including options.
(See "How to Build a Model Number.")
 3. Any special service required.

Note:
The indicates that a choice is required.

The absence of indicates that no choice is required.

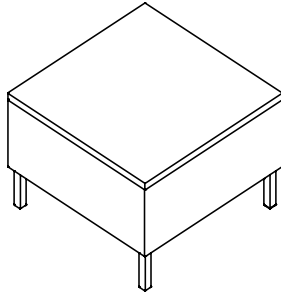
HOW TO BUILD A MODEL NUMBER

- 1 **Select Basic Model**
- 2 **Select Power-Data Center**
 Power-Data Center is a \$306 upcharge
[See Electrical Placement Options at end of Price List](#)

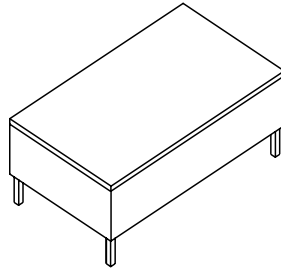
Note: If no power-data center desired leave blank

Select Fabric
 Cards are available online and by request
[See ShopBCE](#)

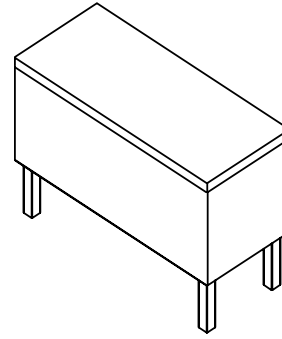
+



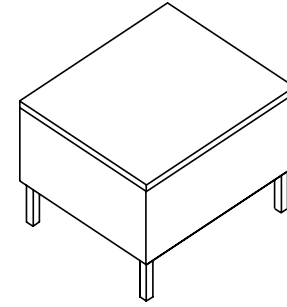
One Seater Laminate Top



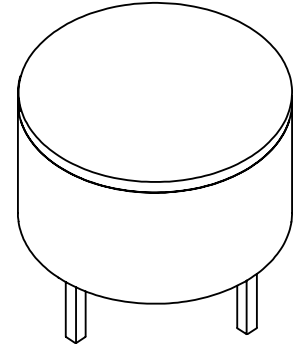
Two Seater Laminate Top



Wedge Laminate Top



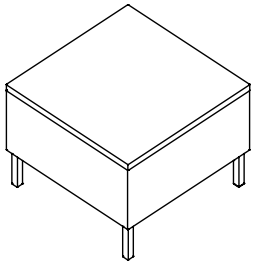
Corner Laminate Top



Round Laminate Top

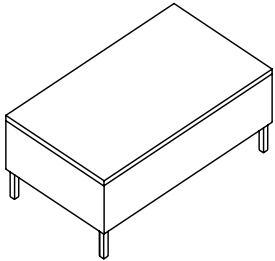
OVERALL DIMENSIONS

	One Seater Laminate Top	Two Seater Laminate Top	Wedge Laminate Top	Corner Laminate Top	Round Laminate Top		
WIDTH (in)	24	48	12	28	24	30	36
DEPTH (in)	28	28	28	28	24	30	36
HEIGHT (in)	17.5	17.5	17.5	17.5	17.5	17.5	17.5
Volume (ft³)	7.5	14.5	4	8.5	6.5	9.75	14
Weight (lbs)	41	68	21	42	34	46	58
COM (yds)	1.5	2.5	1	1.75	2.25	2.75	3.25



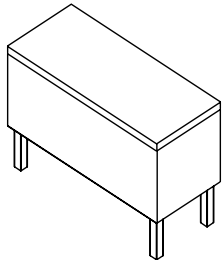
- One Seater Laminate Top**
- Rectangular laminate Top
 - Upholstered Base
 - Offers varying levels of privacy
 - Unique jigsaw construction for enhanced durability
 - Integrated Power/USB charging
 - Modular collection for agile spaces

BASIC MODEL	LAMINATE COLOR	POWER-DATA CENTER	NET PRICE
4000-OT-1S-TM-HHSL	□□	□□□□□	\$853



- Two Seater Laminate Top**
- Rectangular laminate Top
 - Upholstered Base
 - Offers varying levels of privacy
 - Unique jigsaw construction for enhanced durability
 - Integrated Power/USB charging
 - Modular collection for agile spaces

BASIC MODEL	LAMINATE COLOR	POWER-DATA CENTER	NET PRICE
4000-OT-2S-TM HHSL	□□	□□□□□	\$1,249



- Wedge Laminate Top**
- Rectangular laminate Top
 - Upholstered Base
 - Offers varying levels of privacy
 - Unique jigsaw construction for enhanced durability
 - Integrated Power/USB charging
 - Modular collection for agile spaces

BASIC MODEL	LAMINATE COLOR	POWER-DATA CENTER	NET PRICE
4000-OT-12-TM HHSL	□□	□□□□□	\$745

1

2

3

HOW TO ORDER

- Indicate the following information on the order form:
1. Quantity of each item.
 2. Model Number, including options. (See "How to Build a Model Number.")
 3. Any special service required.

Note:
The □ indicates that a choice is required.

The absence of □ indicates that no choice is required.

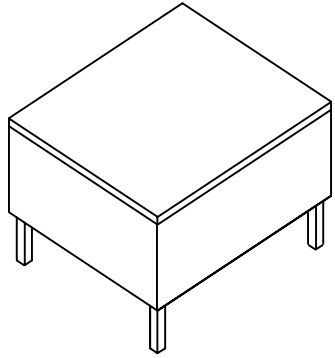
HOW TO BUILD A MODEL NUMBER

- 1 Select Basic Model**
- 2 Select Laminate Color**
[See Color Addendum at end of Price List](#)
- 3 Select Power-Data Center**
Power-Data Center is a \$306 upcharge
[See Electrical Placement Options at end of Price List](#)

Note: If no power-data center desired leave blank

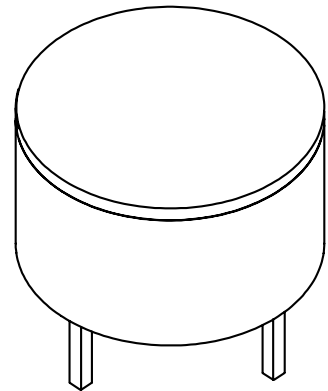
Select Fabric
Cards are available online and by request
[See ShopBCE](#)

+



Corner Laminate Top

- Square laminate Top
- Upholstered Base



Round Laminate Top

- Round laminate Top
- Upholstered Base

RADIUS	BASIC MODEL	LAMINATE COLOR	POWER-DATA CENTER	NET PRICE
	4000-OT-CU-TM-HHSL	□□	□□□□□	\$884
24	4000-OR-24-TM-HHSL	□□	□□□□□	\$1,008
30	4000-OR-30-TM-HHSL	□□	□□□□□	\$1,105
36	4000-OR-36-TM-HHSL	□□	□□□□□	\$1,209

- 1
- 2
- 3

HOW TO ORDER

Indicate the following information on the order form:

1. Quantity of each item.
2. Model Number, including options. (See "How to Build a Model Number.")
3. Any special service required.

Note:
The □ indicates that a choice is required.

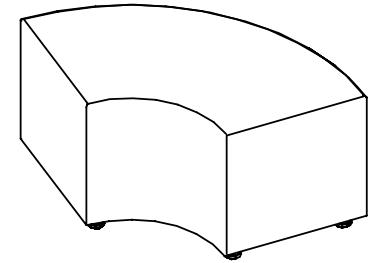
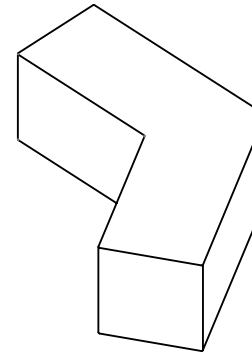
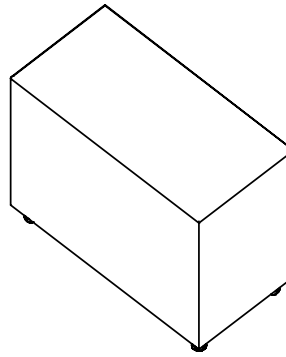
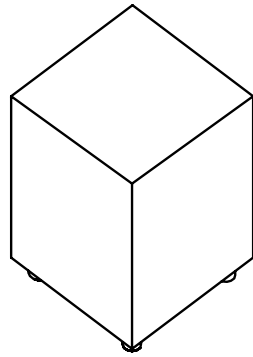
The absence of □ indicates that no choice is required.

HOW TO BUILD A MODEL NUMBER

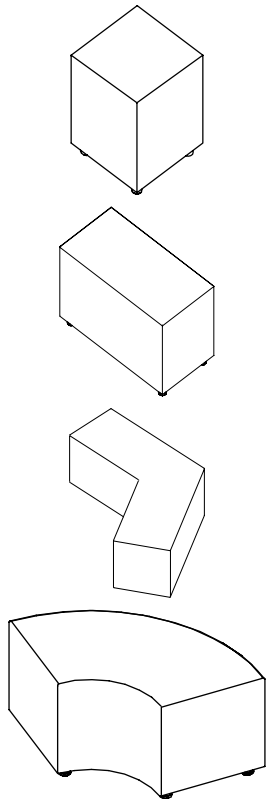
- 1 **Select Basic Model**
- 2 **Select Laminate Color**
[See Color Addendum at end of Price List](#)
- 3 **Select Power-Data Center**
Power-Data Center is a \$306 upcharge
[See Electrical Placement Options at end of Price List](#)

Note: If no power-data center desired leave blank

Select Fabric
Cards are available online and by request
[See ShopBCE](#)



	Square			Rectangle			60 Degree Y-Shape	Arch
OVERALL DIMENSIONS								
WIDTH (in)	18	24	30	24	36	48	60	30
DEPTH (in)	18	24	30	18	18	18	43.4	30
HEIGHT (in)	17.5	17.5	17.5	17.5	17.5	17.5	17.5	17.5
Volume (ft ³)	3.4	6	9.4	4.5	3.8	9	27	9.4
Weight (lbs)	24	33	43	27	35	43	57	35
COM (yds)	2.25	2.75	3.5	2.5	3.25	3.75	4	3



	W x H	BASIC MODEL	CASTERS GLIDES	NET PRICE
Square <ul style="list-style-type: none"> • Modular collection for agile spaces • Various units available with casters • Various units available as modular tables with fully upholstered tops • Optional ganging brackets available for quick connections 	18 x 18	3200-OT-1818	<input type="checkbox"/>	\$528
	24 x 24	3200-OT-2424	<input type="checkbox"/>	\$678
	30 x 30	3200-OT-3030	<input type="checkbox"/>	\$771
Rectangular <ul style="list-style-type: none"> • Modular collection for agile spaces • Various units available with casters • Various units available as modular tables with fully upholstered tops • Optional ganging brackets available for quick connections 	24 x 18	3200-OT-2418	<input type="checkbox"/>	\$644
	36 x 18	3200-OT-3618	<input type="checkbox"/>	\$657
	48 x 18	3200-OT-4818	<input type="checkbox"/>	\$767
60 Degree Y-Shaped <ul style="list-style-type: none"> • Connects to 18in depth ottomans • Modular collection for agile spaces • Various units available with casters • Various units available as modular tables with fully upholstered tops • Optional ganging brackets available for quick connections 	60 x 43.4	3200-OY-6018	<input type="checkbox"/>	\$1,547
Arch <ul style="list-style-type: none"> • Connects to 18in depth ottomans • Modular collection for agile spaces • Various units available with casters • Various units available as modular tables with fully upholstered tops • Optional ganging brackets available for quick connections 	30 x 30	3200-OC-3018	<input type="checkbox"/>	\$817

1

2

HOW TO ORDER

- Indicate the following information on the order form:
1. Quantity of each item.
 2. Model Number, including options. (See "How to Build a Model Number.")
 3. Any special service required.

Note:
The indicates that a choice is required.

The absence of indicates that no choice is required.

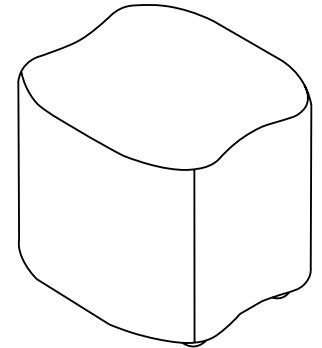
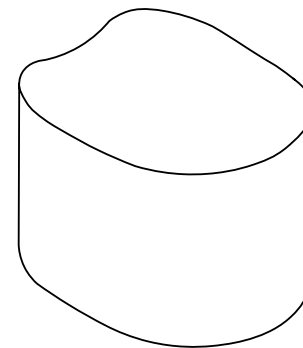
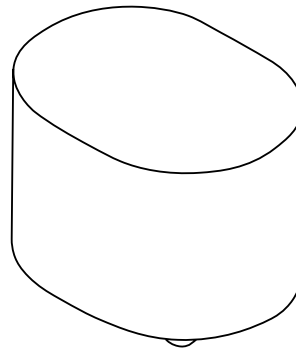
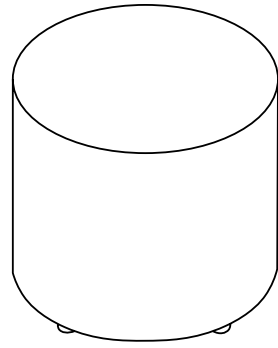
HOW TO BUILD A MODEL NUMBER

- 1 **Select Basic Model**
- 2 **Select Caster options**
C-All Surface Caster
G-Glides

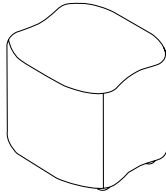
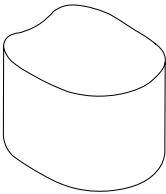
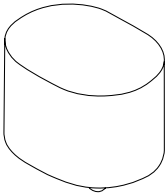
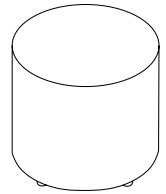
Select Fabric
Cards are available online and by request

[See ShopBCE](#)

+



	Round			Oblong	Oblong One Notch	Oblong Two Notches
OVERALL DIMENSIONS						
WIDTH (in)	18	24	30	24	22	20
DEPTH (in)	18	24	30	18	18	18
HEIGHT (in)	17.5	17.5	17.5	17.5	17.5	17.5
Volume (ft ³)	3.4	6	9.4	4.5	4.5	4.5
Weight (lbs)	18	25	31	24	24	24
COM (yds)	1.75	2.25	2.75	2	2	2



	W x H	BASIC MODEL	CASTERS GLIDES	NET PRICE
Round • Modular collection for agile spaces • Various units available with casters • Various units available as modular tables with fully upholstered tops • Optional ganging brackets available for quick connections	18 x 18	3200-OR-18	<input type="checkbox"/>	\$518
	24 x 24	3200-OR-24	<input type="checkbox"/>	\$670
	30 x 30	3200-OR-30	<input type="checkbox"/>	\$741
Oblong • Modular collection for agile spaces • Various units available with casters • Various units available as modular tables with fully upholstered tops • Optional ganging brackets available for quick connections	24 x 18	3200-OB-0N-2418	<input type="checkbox"/>	\$727
Oblong One Notch • Modular collection for agile spaces • Various units available with casters • Various units available as modular tables with fully upholstered tops • Optional ganging brackets available for quick connections	22 x 18	3200-OB-1N-2218	<input type="checkbox"/>	\$727
Oblong Two Notches • Modular collection for agile spaces • Various units available with casters • Various units available as modular tables with fully upholstered tops • Optional ganging brackets available for quick connections	20 x 18	3200-OB-2N-2018	<input type="checkbox"/>	\$727

1

2

HOW TO ORDER

- Indicate the following information on the order form:
- Quantity of each item.
 - Model Number, including options.
(See "How to Build a Model Number.")
 - Any special service required.

Note:
The indicates that a choice is required.

The absence of indicates that no choice is required.

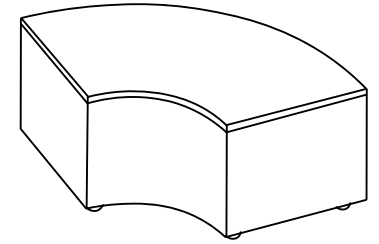
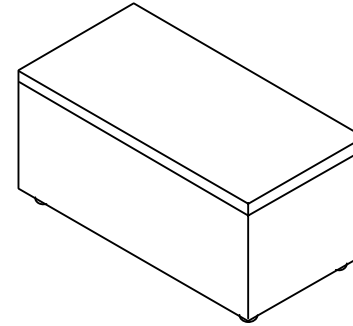
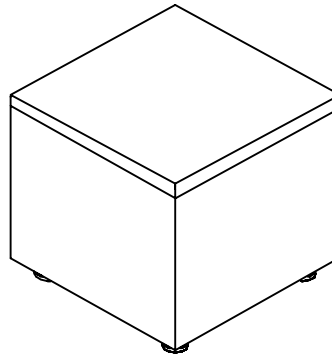
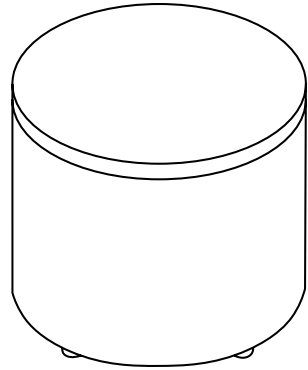
HOW TO BUILD A MODEL NUMBER

- Select Basic Model**
- Select Caster options**
C-All Surface Casters
G-Glides

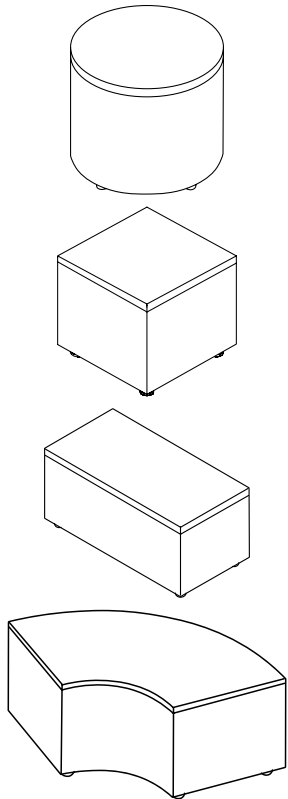
Select Fabric
Cards are available online and by request

[See ShopBCE](#)

+



	Round With Laminate Top			Square With Laminate Top			Rectangle With Laminate Top			Arch With Laminate Top
OVERALL DIMENSIONS										
WIDTH (in)	18	24	30	18	24	30	24	36	48	30
DEPTH (in)	18	24	30	18	24	30	18	18	18	30
HEIGHT (in)	17.5	17.5	17.5	17.5	17.5	17.5	17.5	17.5	17.5	17.5
Volume (ft ³)	3.4	6	9.4	3.4	6	9.4	4.5	6.8	9	9.4
Weight (lbs)	26	3.8	49	36	49	67	41	54	67	35
COM (yds)	1.75	2.25	2.75	2.25	2.75	3.5	2.5	3.25	3.75	3



	W x H	BASIC MODEL	LAMINATE COLOR-FINISH	CASTERS GLIDES	NET PRICE
Round With Laminate Top <ul style="list-style-type: none"> • Modular collection for agile spaces • Various units available with casters • Various units available as modular tables with TFL tops • Optional ganging brackets available for quick connections 	18 x 18	3200-OR-18-TM	<input type="checkbox"/>	<input type="checkbox"/>	\$597
	24 x 24	3200-OR-24-TM	<input type="checkbox"/>	<input type="checkbox"/>	\$747
	30 x 30	3200-OR-30-TM	<input type="checkbox"/>	<input type="checkbox"/>	\$820
Square With Laminate Top <ul style="list-style-type: none"> • Modular collection for agile spaces • Various units available with casters • Various units available as modular tables with TFL tops • Optional ganging brackets available for quick connections 	18 x 18	3200-OT-1818-TM	<input type="checkbox"/>	<input type="checkbox"/>	\$607
	24 x 24	3200-OT-2424-TM	<input type="checkbox"/>	<input type="checkbox"/>	\$757
	30 x 30	3200-OT-3030-TM	<input type="checkbox"/>	<input type="checkbox"/>	\$850
Rectangle With Laminate Top <ul style="list-style-type: none"> • Connects to 18in depth ottomans • Modular collection for agile spaces • Various units available with casters • Various units available as modular tables with TFL tops • Optional ganging brackets available for quick connections 	24 x 18	3200-OT-2418-TM	<input type="checkbox"/>	<input type="checkbox"/>	\$698
	36 x 18	3200-OT-3618-TM	<input type="checkbox"/>	<input type="checkbox"/>	\$734
	48 x 18	3200-OT-4818-TM	<input type="checkbox"/>	<input type="checkbox"/>	\$847
Arch With Laminate Top <ul style="list-style-type: none"> • Connects to 18in depth ottomans • Modular collection for agile spaces • Various units available with casters • Various units available as modular tables with TFL tops • Optional ganging brackets available for quick connections 	30 x 30	3200-OC-3018-TM	<input type="checkbox"/>	<input type="checkbox"/>	\$975

1

2

3

HOW TO ORDER

- Indicate the following information on the order form:
1. Quantity of each item.
 2. Model Number, including options. (See "How to Build a Model Number.")
 3. Any special service required.

Note:
The indicates that a choice is required.

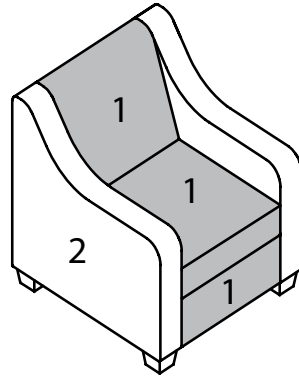
The absence of indicates that no choice is required.

HOW TO BUILD A MODEL NUMBER

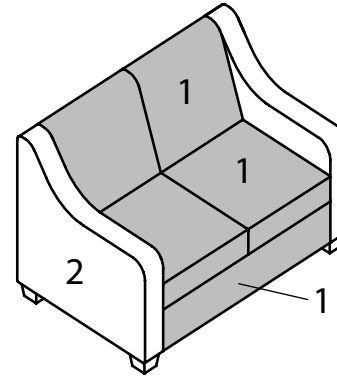
- 1 **Select Basic Model**
- 2 **Select Laminate Color**
[See Color Addendum at end of Price List](#)
- 3 **Select Caster options**
C- All Surface Casters
G- Glides

Select Fabric
Cards are available online and by request
[See ShopBCE](#)

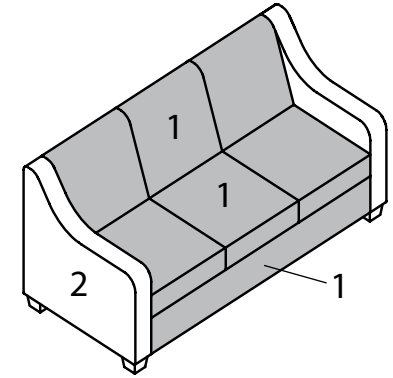
+



One Seat Lounge



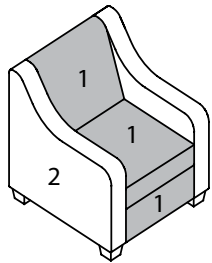
Two Seat Lounge



Three Seat Lounge

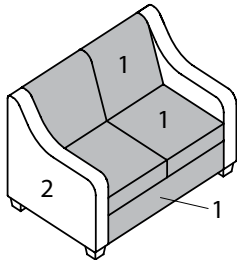
OVERALL DIMENSIONS

WIDTH (in)	31	52	73
DEPTH (in)	32	32	32
HEIGHT (in)	32	32	32
Volume (ft ³)	18	31	43
Weight (lbs)	85	117	149
COM (yds)	6	8	10



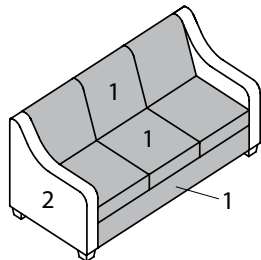
One Seat Lounge
• Black finish leg standard

FABRIC OPTION	BASIC MODEL	LEG STYLE	NET PRICE
Non-Contrasting	6500-SF-1S-NC	□□□□	\$1,182
Contrasting	6500-SF-1S-FC	□□□□	\$1,332



Two Seat Lounge
• Black finish leg standard

Non-Contrasting	6500-SF-2S-NC	□□□□	\$1,492
Contrasting	6500-SF-2S-FC	□□□□	\$1,642



Three Seat Lounge
• Black finish leg standard

Non-Contrasting	6500-SF-3S-NC	□□□□	\$1,819
Contrasting	6500-SF-3S-FC	□□□□	\$1,969

1

2

HOW TO ORDER

- Indicate the following information on the order form:
- Quantity of each item.
 - Model Number, including options.
(See "How to Build a Model Number.")
 - Any special service required.

Note:
The □ indicates that a choice is required.

The absence of □ indicates that no choice is required.

HOW TO BUILD A MODEL NUMBER

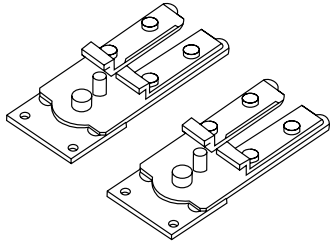
- Select Basic Model**
- Select Leg Style**
 TTBK - Tapered Wood (Black)
 TTRM - Tapered Wood (Natural)
 TTLT - Tapered Wood (Truffle)
 TTCO - Tapered Wood (Cognac)
 TTCW - Tapered Wood (Walnut)
 TTLE - Tapered Wood (Espresso)
 PPSL - Metal Post leg
 CC - All Surface Caster

Select Fabric
Cards are available online and by request

[See ShopBCE](#)

Non-Contrasting Fabric - only list one color

 Contrasting Fabric - list colors in order;
 color "1" first, color "2" second, etc.
 (Use photo of product for reference)



Sofa to Sofa Connector

- Pair of two
- Used to connect Jazz, Tribute, Waterfall, Unify, and Vibe lines.

BASIC MODEL

NET PRICE

BASIC MODEL	NET PRICE
AC-ST5-PR	\$45

①

HOW TO ORDER

Indicate the following information on the order form:

1. Quantity of each item.
2. Model Number, including options.
(See "How to Build a Model Number.")
3. Any special service required.

Note:

The indicates that a choice is required.

The absence of indicates that no choice is required.

HOW TO BUILD A MODEL NUMBER

+

- ① Select Basic Model

TAPERED LEG FINISHES

TABLET ARM FINISHES IN TFL

TEXTURED FINISHES

SMOOTHWOOD FINISHES



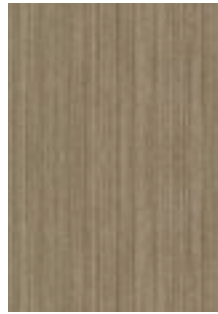
Black (BK)



Natural (RM)



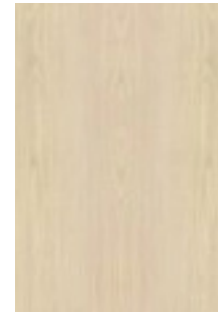
Linea Vanilla (LV)



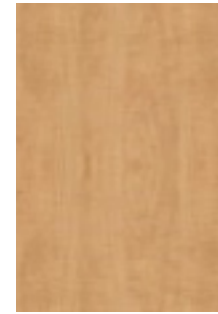
Linea Mocha (LM)



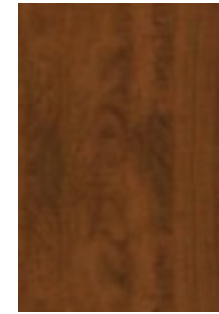
Linea Espresso (LE)



Riviera Maple (RM)



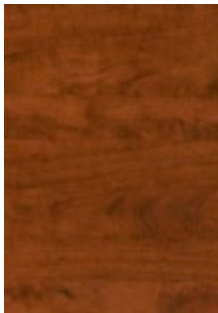
Sahara (SA)



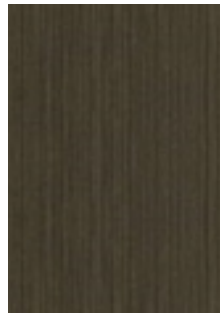
Cognac (CO)



Truffle (LT)



Cognac (CO)



Linea Truffle (LT)



Ginger Root (GN)



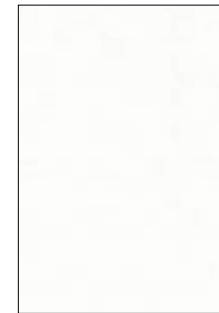
Hazelnut (HZ)



Chocolate Walnut (CW)



Willow Gray (WG)



True White (TW)



Walnut (CW)



Espresso (LE)



Silver Oak (SV)



White Breeze (WZ)



Tuxedo (TX)



Black (BK)



Charcoal (CL)

JAZZ / TRIBUTE / UNIFY FINISHES

JAZZ ARM CAPS (Veneer)



Natural Veneer (RMW)



Espresso Veneer (LEW)

TABLETS



Linea Vanilla (LV)



Sahara (SA)



Cognac (CO)



Linea Espresso (LE)



White Breeze (WZ)



Natural Veneer (RMW)
available on
JAZZ TABLET ONLY



Linea Mocha (LM)



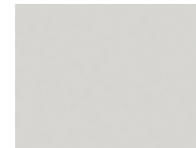
Riviera Maple (RM)



Black (BK)



Chocolate Walnut (CW)



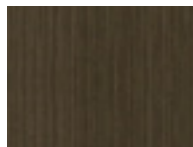
Willow Gray (WG)



Espresso Veneer (LEW)
available on
JAZZ TABLET ONLY



Silver Oak (SV)



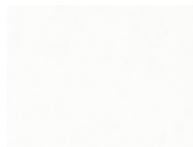
Linea Truffle (LT)



Charcoal (CL)



Hazelnut (HZ)



True White (TW)



Tuxedo (TX)



Ginger Root (GN)

Examples of Power/Data center options and locations:

SLSE3 - Power/USB ports unit on, LEFT SIDE of SEAT when seated

SRSE3 - Power/USB ports unit on, RIGHT SIDE of SEAT when seated

SCFE3 - Power/USB ports unit on, FRONT CENTER of SEAT when seated

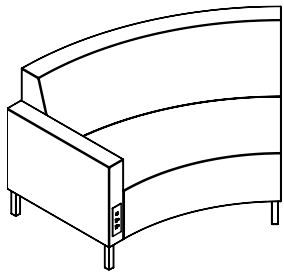
ALFE3 - Power/USB ports unit on, LEFT FRONT of ARM when seated

AFRE3 - Power/USB ports unit on, RIGHT FRONT of ARM when seated

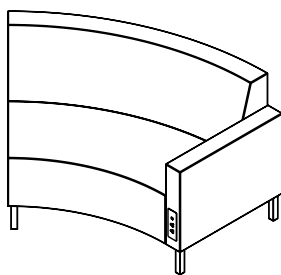
E3 Power Module

- Silver Fog faceplate with matching powder-coated trim.
- 2 Power and 1 dual port 4 Amp USB (2 Amps per port)

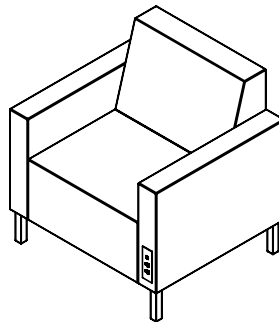
ARFE3 -RIGHT SIDE WHEN SEATED



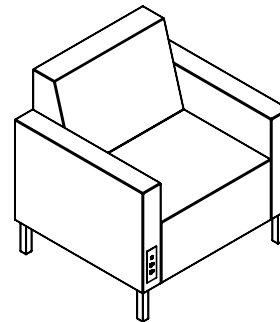
ALFE3 -LEFT SIDE WHEN SEATED



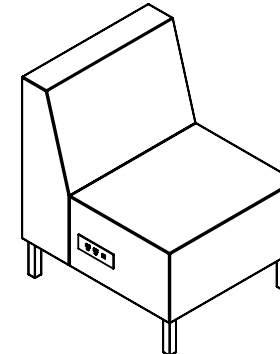
ALFE3 -LEFT SIDE WHEN SEATED



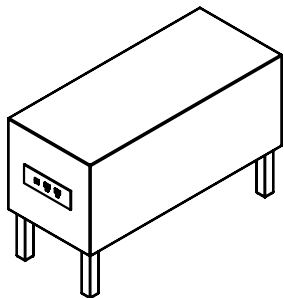
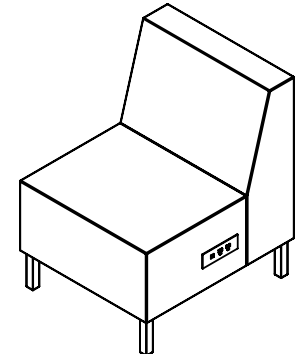
ARFE3 -RIGHT SIDE WHEN SEATED



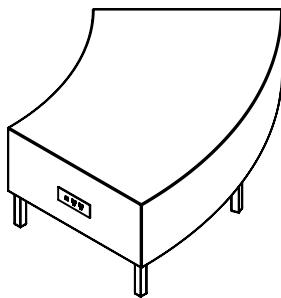
SRSE3 -RIGHT SIDE WHEN SEATED



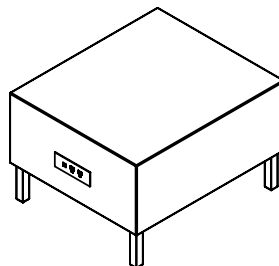
SLSE3 -LEFT SIDE WHEN SEATED



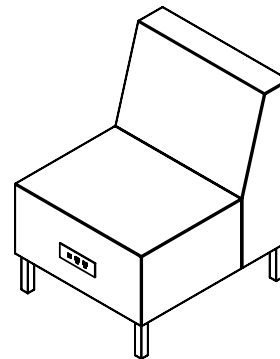
SCFE3-FRONT CENTER



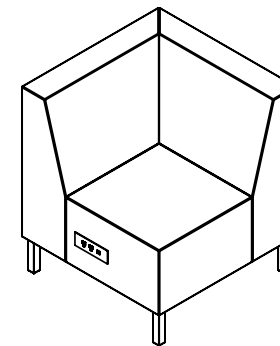
SCFE3-FRONT CENTER



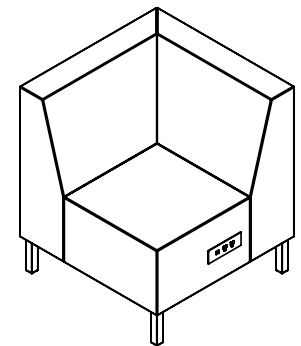
SCFE3-FRONT CENTER



SCFE3-FRONT CENTER



SRSE3-RIGHT SIDE WHEN SEATED



SLSE3- LEFT SIDE WHEN SEATED

State of Wisconsin Bureau of Correctional Enterprises

Business Office and Showroom
3099 East Washington Avenue
Madison, WI 53704

608.240.5200

shopbce.com

BCE Product Development Center
Design. Support. Promote.

