

PRODUCT SPECIFICATIONS

Sitka™ Task Chair & Stool

March 2017

TECHNICAL SPECIFICATIONS

Backrest, Seat, and Shroud

Injection-molded polypropylene.

Optional Upholstered Seat and Back

Urethane foam is attached to an injection-molded polypropylene liner board, then upholstered using a draw-string process. Seat foam is molded nominal 1" thickness, and back foam is nominal 1/2" thickness. The flush-head fasteners that attach the back pad are color-matched to the polypropylene.

Underseat Structure

Support structure is a die-drawn 12-gauge steel plate. Fixed backrest mechanism structures are made from 1/2" diameter steel wire and attached by welding. Structure is finished with baked-on electrostatically-applied 30-degree gloss epoxy powder-coating.

Backrest Articulation Mechanism

Two outer backrest supports formed from 1" diameter tubular steel are inserted into sockets molded into the backrest, and secured with screws. The backrest assembly moves over molded thermoplastic slide bushings and is supported by steel coil springs. This mechanism allows the backrest to move through 15 degrees of movement, about an axis of rotation that is through the hips of the occupant.

Arms

Optional cantilever arms are available. When equipped with arms, a support structure is 7/8" OD x 14-gauge tubular steel welded directly to the seat structure plate. The steel support tube is inserted into a socket molded into the armrest, and secured with a screw. Armrests are molded from glass-reinforced nylon. Arm color matches poly color. Diamond translucent poly has Light Tone arms. Pewter translucent poly has Flannel arms. Bronze translucent poly has Chocolate arms.

Base

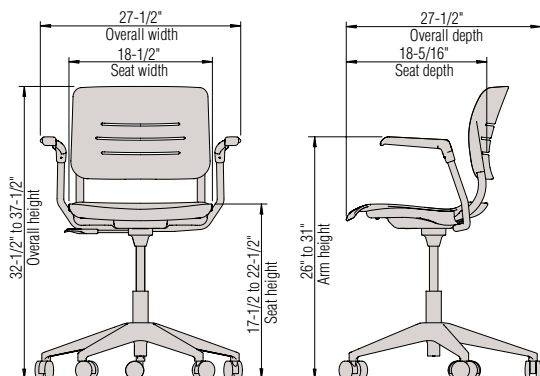
26" injection-molded glass-reinforced nylon 5-blade base. A single paddle under the seat operates the height-adjusting pneumatic cylinder. Standard chair base and cylinder available in black or grey. Standard stool base available in black only. An optional polished die-cast aluminum base is available on both chairs and stools.

Casters

Casters are double-wheel high-impact thermoplastic, available with hard (warm grey or black) or soft (black only) wheel surface.



DIMENSIONS



STATEMENT OF LINE - all models available in poly seat/back, upholstered seat/
poly back, or upholstered seat/back



GPDNAP



GPD CAP



GPSNAP



GPSCAP