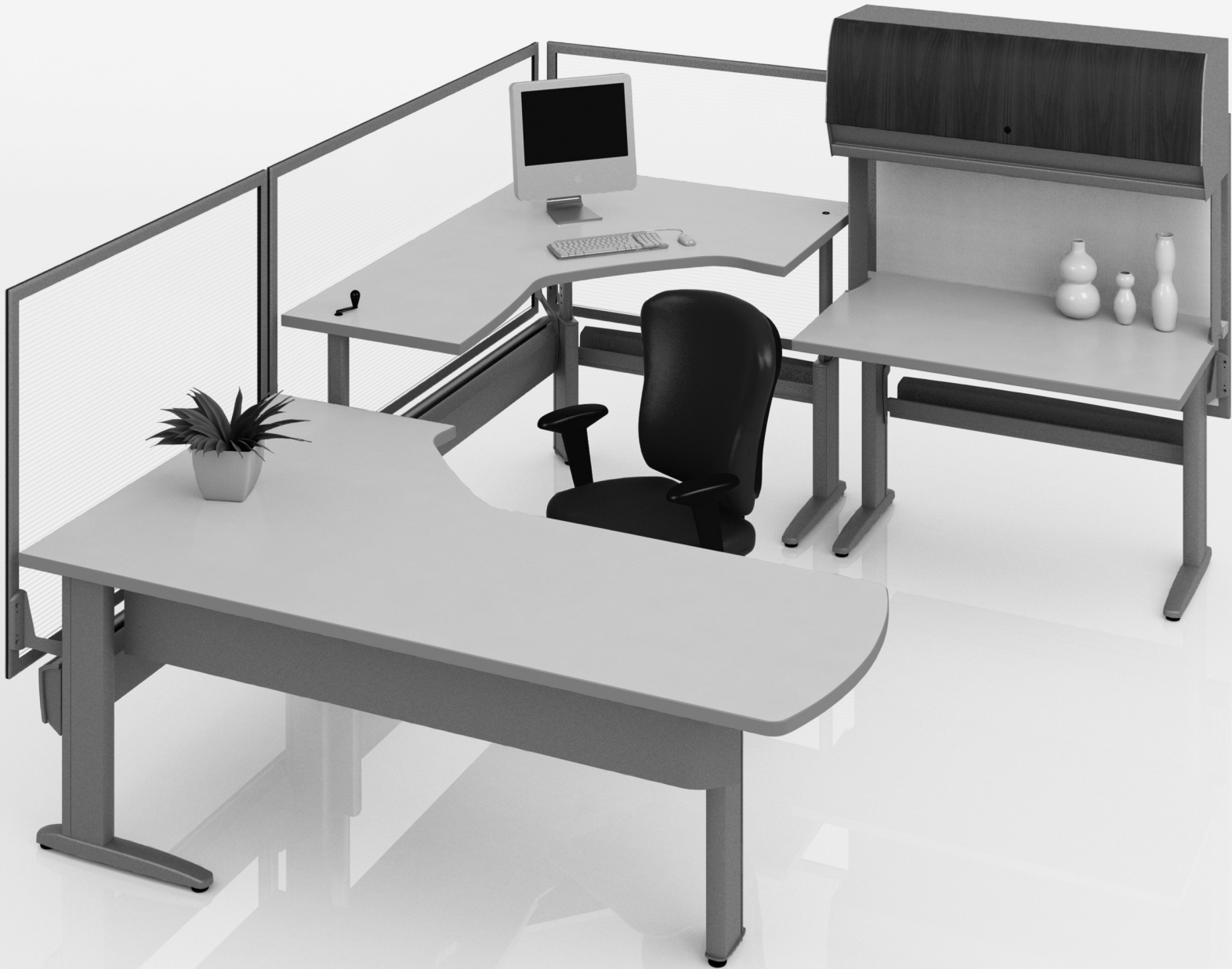


T-4[®]

adjustable
DESKING SYSTEM

planning guide



Effective April 2019

Introduction

T-4® is a freestanding desking system. With three adjustment options and one fixed surface option the possible configurations are limitless. Shapes range from rectangles to the new Arcade peninsula. Since the system is a freestanding system it allows for easy changes to meet the users needs.

T-4 was designed with both adjustability and power and data in mind. With the incredible adjustment range of the T-4 electric adjustment table and the simplistic ease of the T-4 crank adjustment table, it is easy to see what makes T-4 so versatile. The troughs that hide and house both the electrical and data are on the frame to allow adjustment at the surface not to affect the power and data.

The T-4 overhead stanchions hold either the Venus®, Universal overhead or shelf. The profile is slim and the location is at the surface edge to allow maximum use of the surface.

T-4 offers several options with every desk - screens, troughs or modesty panels. The screens are available in several heights and allow for sitting or standing privacy. They also cover below the worksurface and act as a modesty panel. The troughs hide power and data, while the modesty panel can be used in many of the freestanding applications.

With numerous paints and laminate options T-4 adjustable desking is a perfect fit.

Figure 1

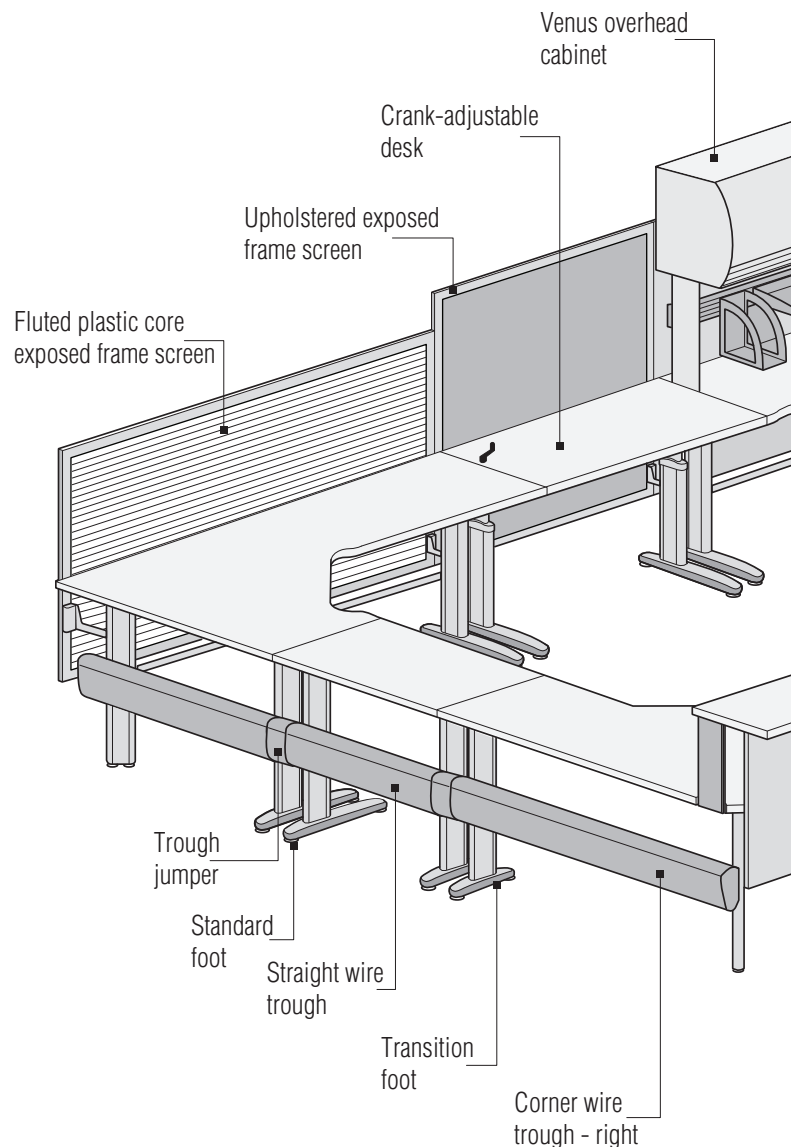
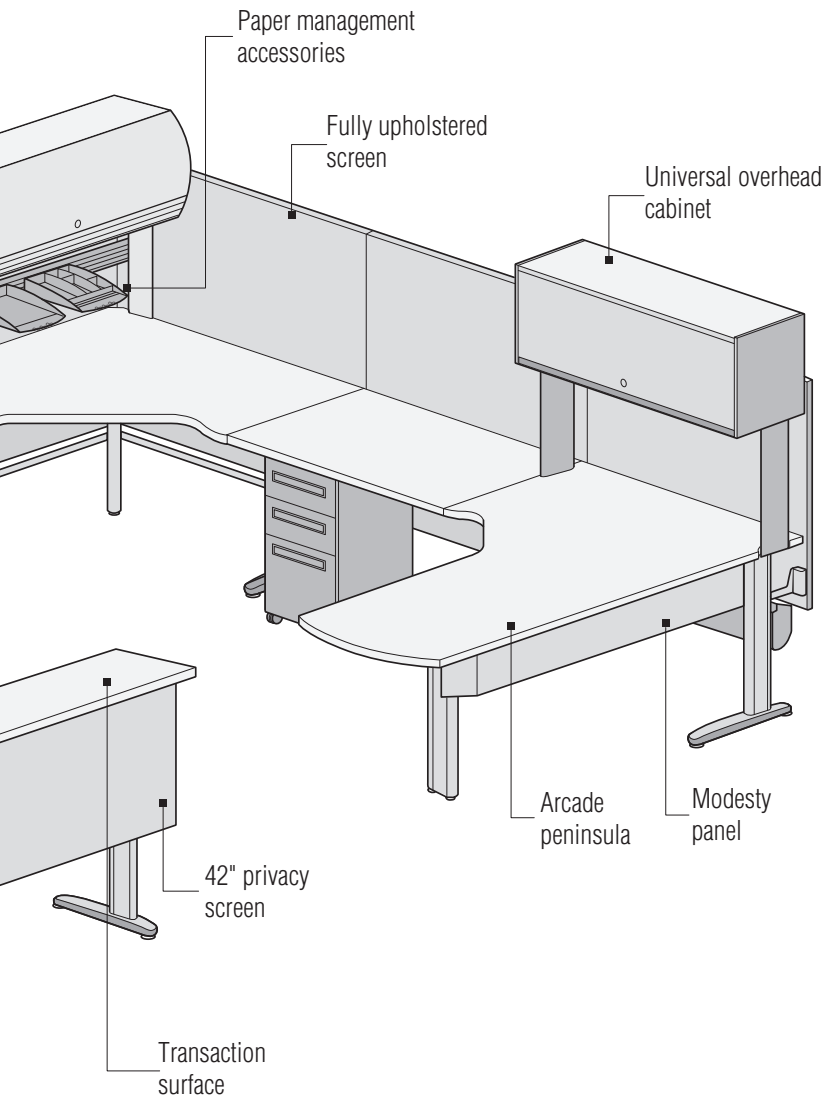


Table of Contents

Worksurface Planning2
Electrical Planning13
Overhead Storage Planning17
Privacy Screen Planning20
T-4 Planning Review21
T-4 System Specifications22



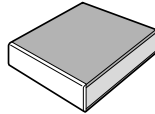
Worksurface Planning

WORKSURFACE EDGE

T-4 worksurfaces are constructed of 1 $\frac{1}{8}$ " thick 45# density particleboard with .030 thick high-pressure laminate top.

All worksurfaces have pre-drilled mounting holes for easy table assembly and maximum holding power. Desks with unsupported spans more than 51" have a steel channel to provide extra structure. PowerUp® modules are available in various locations depending on the shape of the worksurface.

Figure 2



74P edge

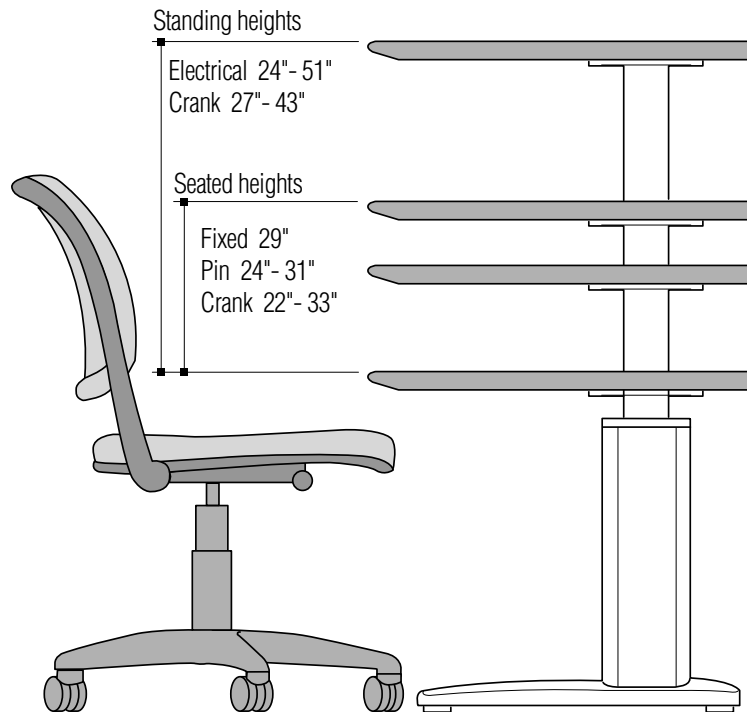
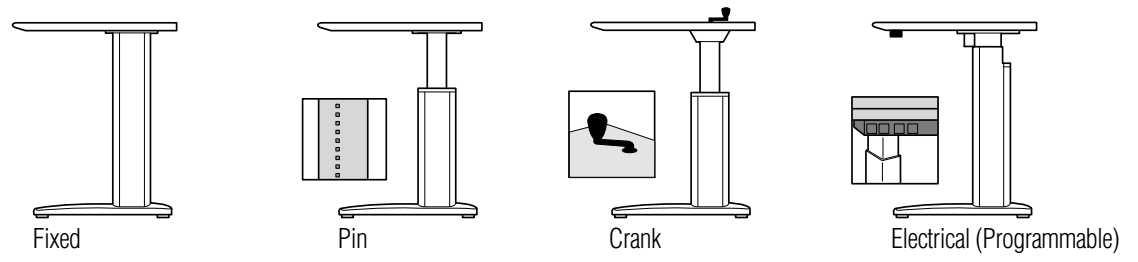
WORKSURFACE HEIGHT

T-4 worksurfaces come with a choice of four types of bases, one with a fixed height and three that are height-adjustable. The fixed height base provides a worksurface height of 29". The pin height-adjustable base has a spring steel button that allows for adjustment in one-inch increments from 24" to 31". The crank height-adjustable base has a crank located in the top of the worksurface that raises and lowers the table at a rate of one-inch per ten revolutions. The crank height-adjustable base is available in two height-adjustable ranges, a sit down height range of 22" to 33" and a stand-up range of 27" to 43". The electrical height-adjustable base has a basic controller with up/down buttons that adjust the height from 24" to 51". An optional deluxe controller includes three memory presets and a visual display indicating the height of the worksurface (Figure 3).

Adjustability:

	Rectangles	Corners	Square Shoe	Peninsulas	Two leg Corners
Fixed	29"	29"	29"	29"	29"
Pin	24-31"	24-31"	24-31"	24-31"	24-31"
Crank	22-33" and 27-43"	22-33"	22-33"	N/A	22-33"
Electrical	24-51"	24-51"	24-51"	N/A	24-51"

Figure 3



Worksurface Planning

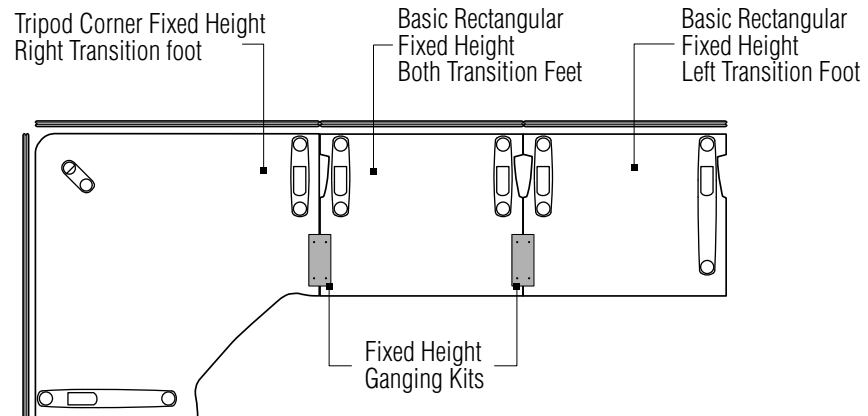
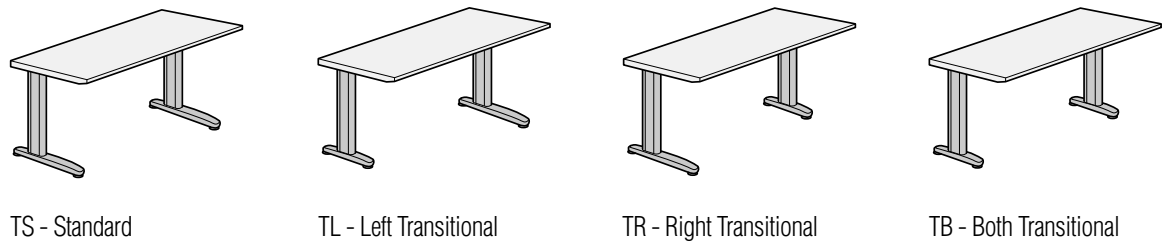
WORKSURFACES

Transition legs are available on fixed height desks only. Transition legs provide for easy movement between work areas by providing a shorter foot on one or both legs. They are specified as standard with the standard depth foot on both legs, left transition foot with a shorter foot on the left, right transition with the shorter foot to the right or both transition with both feet shorter.

Ganging kits are required to provide added support where the worksurfaces meet and transition legs are specified (Figure 4).

Note: Transition legs are not available on two-legged corners.

Figure 4



WORKSURFACES

Rectangular Desks

Available 24" or 30" deep.

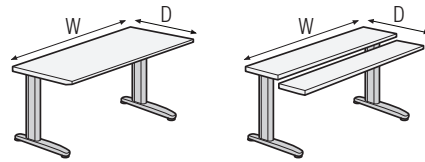
Fixed-width 30", 36", 42", 48", 54", 60", 66", and 72" single surface; 42" and 48" available in dual surface.

Pin-width 30", 36", 42", 48", 54", 60", 66", and 72" single surface only.

Crank-width 30", 36", 42", 48", 54", 60", 66", and 72" single surface; 42" and 48" available in dual surface.

Sit-to-stand crank-width 30", 36", 42", 48", 54", 60", 66" and 72" single surface only.

Electrical adjusting-width 30", 36", 42", 48", 54", 60", 66", and 72" single surface; 48" available in dual surface.



Rectangle

Rectangle -dual

Corner Desks

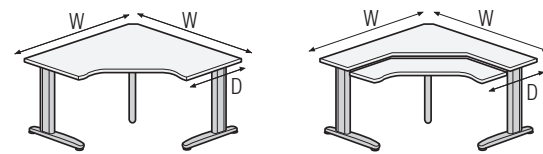
Available 24" or 30" deep.

Fixed-width 36", 42", 48" and 54" single surface; 48" and 54" available in dual surface.

Pin-width 42", 48" and 54" single surface only.

Crank-width 42", 48" and 54" single surface; 48" and 54" available in dual surface.

Electrical adjusting-width 42", 48" and 54" single surface; 48" and 54" available dual surface.



Tripod corner

Tripod corner - dual

Reduction Corner Surfaces

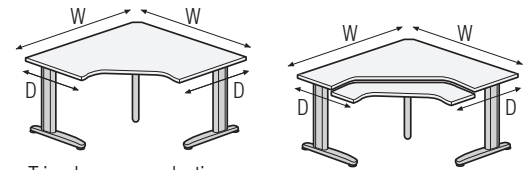
One side is 24" deep and the other side is 30" deep.

Fixed-width 42", 48" and 54" single surface; 48" and 54" available in dual surface.

Pin-width 42", 48" and 54" single surface only.

Crank-48" and 54" available in both single and dual surface.

Electrical adjusting-width 42", 48" and 54" single surface; 48" and 54" available in dual surface.



Tripod corner - reduction

Tripod corner - reduction dual

Square Shoe

Available 24" or 30" deep.

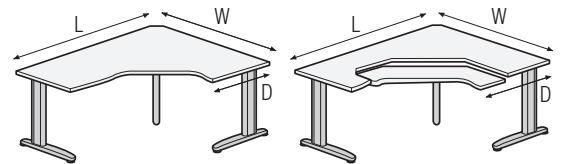
One side on the square shoe will always be 48" wide and the other will be specified below:

Fixed-54", 60", 66", 72" and 84" available in both single and dual surface.

Pin-54", 60", 66", 72" and 84" single surface only.

Crank-54", 60", 66", 72" and 84" available in both single and dual surface.

Electrical adjusting-54", 60", 66", 72" and 84" available in both single and dual surface.



Square shoe

Square shoe - dual

Worksurface Planning

WORKSURFACES

Reduction Square Shoe

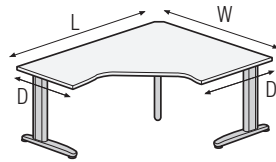
One side is 24" deep and the other side is 30" deep, one of the back sides will always be 48" wide.

Fixed-54", 60", 66", 72" and 84" available in both single and dual surface.

Pin-54", 60", 66", 72" and 84" single surface only.

Crank-54", 60", 66", 72" and 84" available in both single and dual surface.

Electrical adjusting-54", 60", 66", 72" and 84" available in both single and dual surface.



Square shoe - reduction

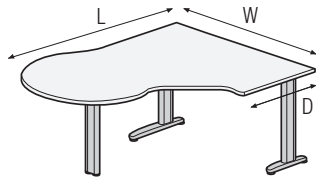
P-Shaped Peninsula

Available 24" or 30" deep.

Back side of peninsula is 48" wide.

Fixed-60", 66", 72" and 84" single surface only.

Pin-60", 66", 72" and 84" single surface only.



P-shaped peninsula

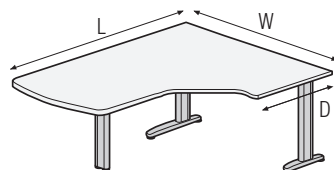
Arcade Peninsula

Available 24" or 30" deep.

Back side of peninsula is 48" wide.

Fixed-60", 66", 72" and 84" single surface only.

Pin-60", 66", 72" and 84" single surface only.



Arcade peninsula

Two-legged Corner

Screens and power troughs will not work on this desk.

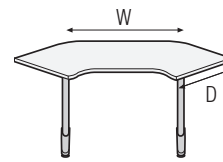
Available 24" or 30" deep.

Fixed-width 42", 48" and 54" single surface;
48" and 54" available in dual surface.

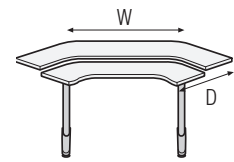
Pin-width 42", 48" and 54" single surface only.

Crank-width 42", 48" and 54" single surface;
48" and 54" available in dual surface.

Electrical adjusting-42", 48" and 54" x 24" deep single surface only;
48" and 54" x 30" deep available in both single and dual surface.



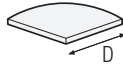
2-legged corner



2-legged corner - dual

ADD-ON WORKSURFACES**Quarter Round Transitional Surface**

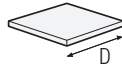
Quarter round transitional surface attaches to two fixed height desks to form a radius corner. Available in 24" and 30" deep attaching via splice plates. Desks must be the same depth. If two T-4 privacy screens are used, then specify the basic model number ending in "P".



Quarter round transitional

Square Transitional Surface

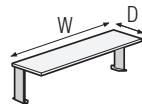
Square transitional surface attaches to two fixed height desks to form a square corner. Available in 24" and 30" deep attaching via splice plates. Desks must be the same depth. If two T-4 screens are used then specify the basic model number ending in "P".



Square transitional

Rectangle Transaction Surface

Rectangle transaction surface attaches to fixed height desks of the same width. Available 16" deep in 30", 36", 42", 48", 54", 60", 66" and 72" widths. The receiving desk must have overhead grommets. The transaction surface is designed to clear the 42" high privacy screen.



Rectangle transaction

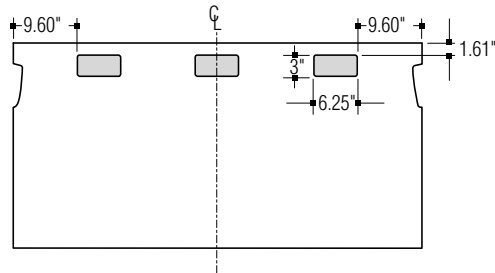
Worksurface Planning

WORKSURFACES

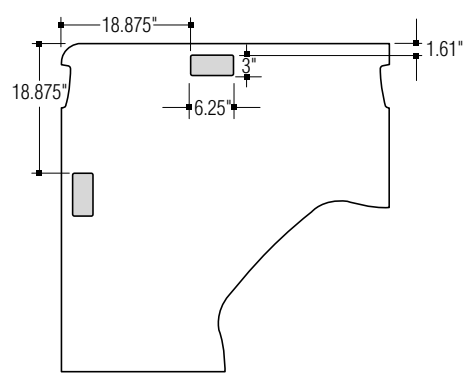
PowerUp® modules provide electrical outlets and data connections at the worksurface. The length of the cord on the PowerUp modules is 108". A PowerUp module can be specified on most worksurfaces. PowerUp locations are predetermined in the available worksurfaces (Figure 5).

Figure 5

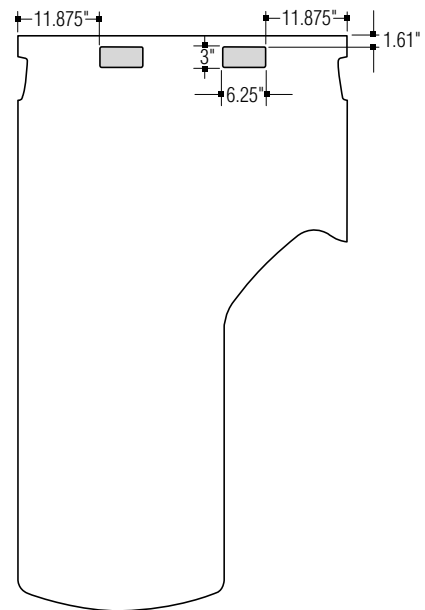
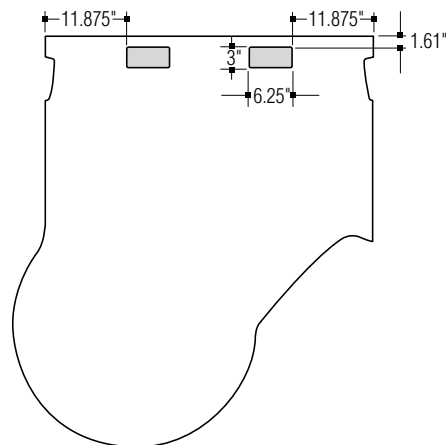
Rectangular and Dual Worksurfaces



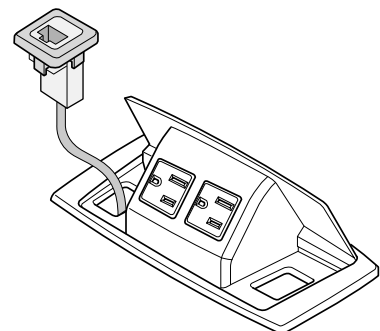
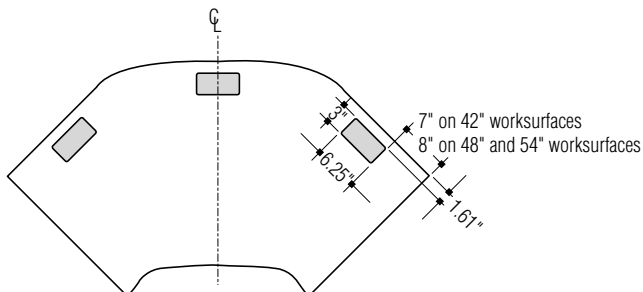
Corner, Square Shoe and Dual Corner Worksurfaces



Peninsula Worksurfaces



2-Leg Corner Worksurfaces

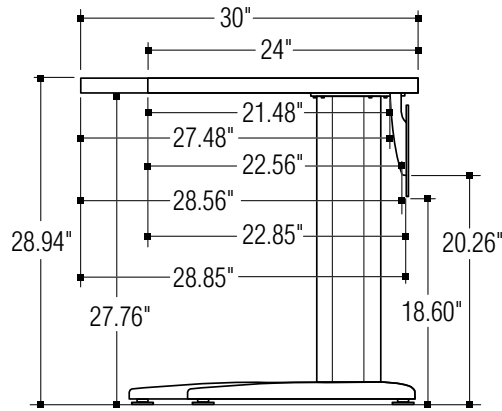


WORKSURFACES

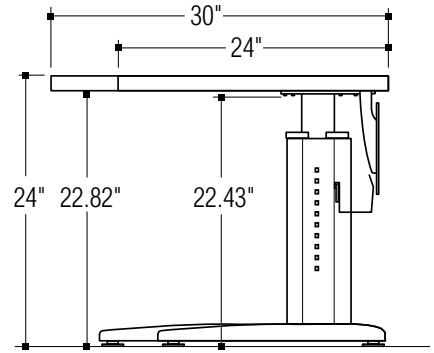
The following illustrations are to assist in the planning and spacing of T-4 desks.

Figure 6

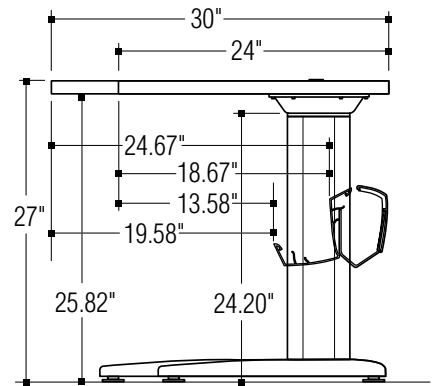
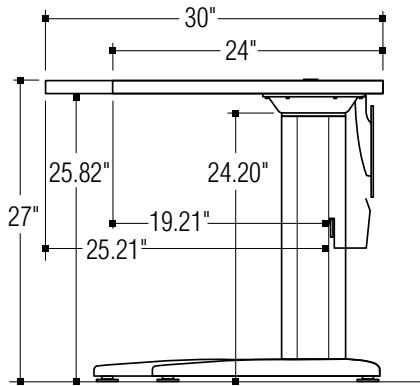
Worksurface Clearance Fixed Height



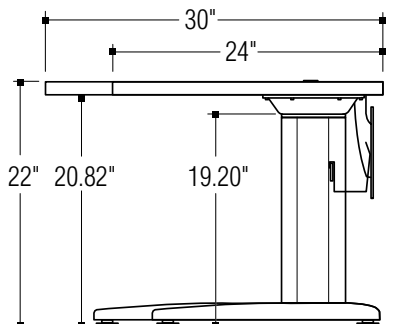
Worksurface Clearance Pin Height & Electric Height



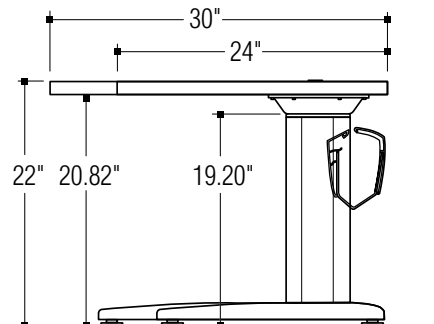
Worksurface Clearance 27"-43" Crank Height



Worksurface Clearance 22"-33" Crank Height



Note: T-4 desking can have modesty panels or troughs but not both.

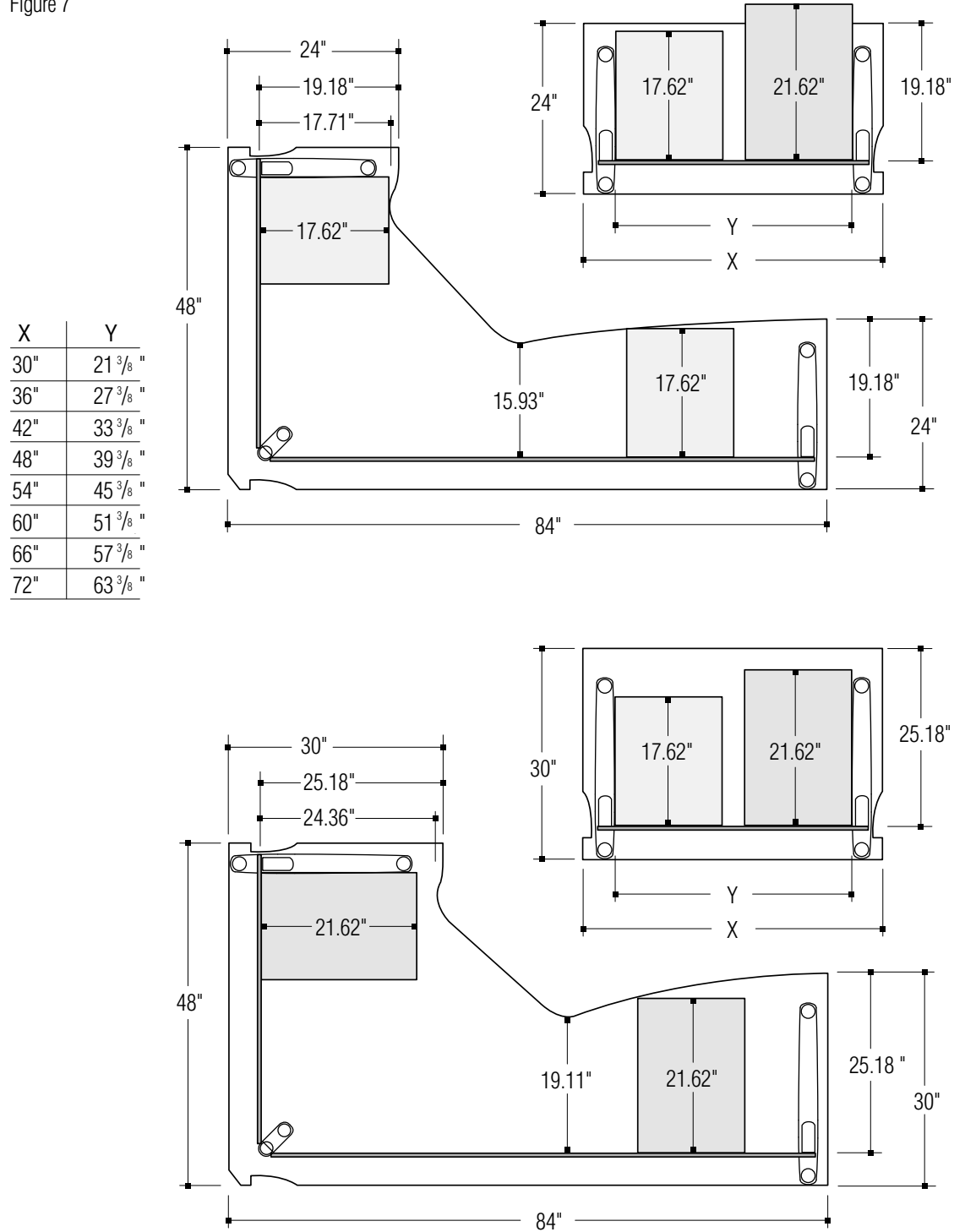


Worksurface Planning

WORKSURFACES

Mobile pedestals are recommended because they offer the most flexibility and clearance from the table height adjustment.

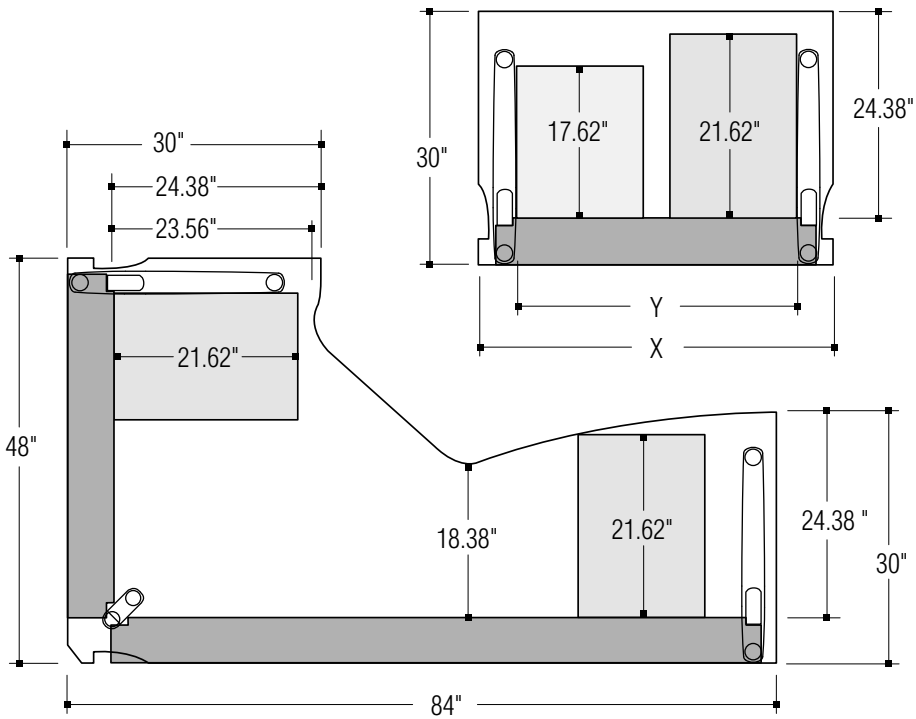
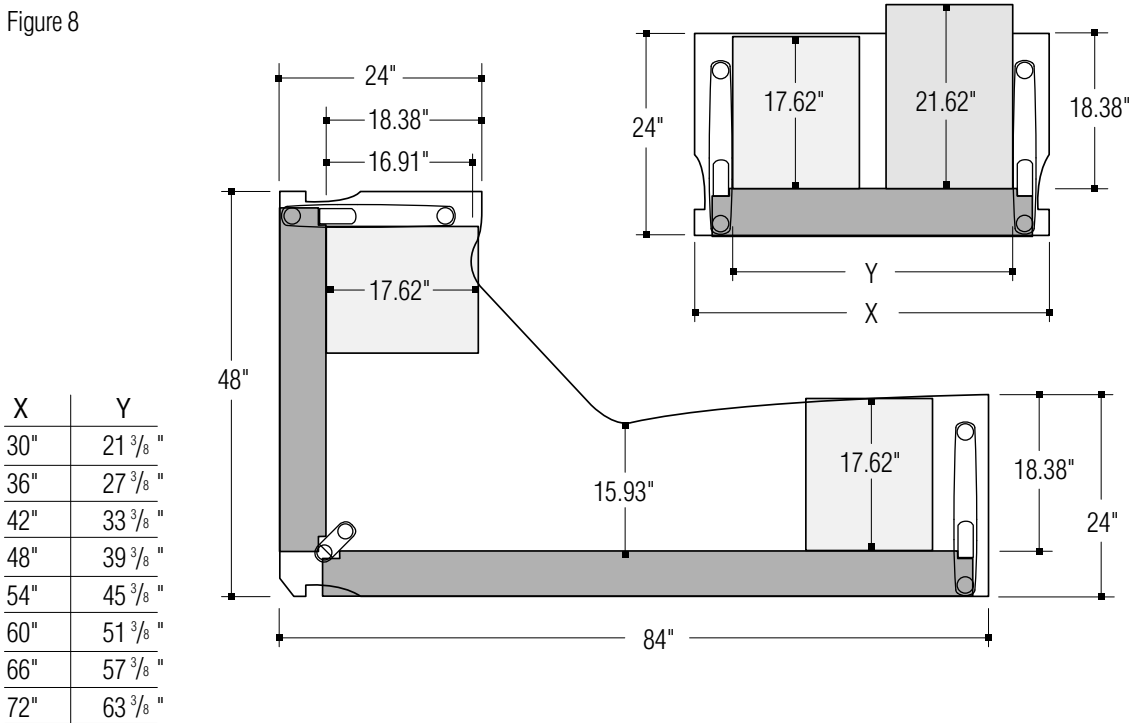
Pedestals with Crossbrace
Figure 7



WORKSURFACES

Pedestals with Wire Troughs

Figure 8



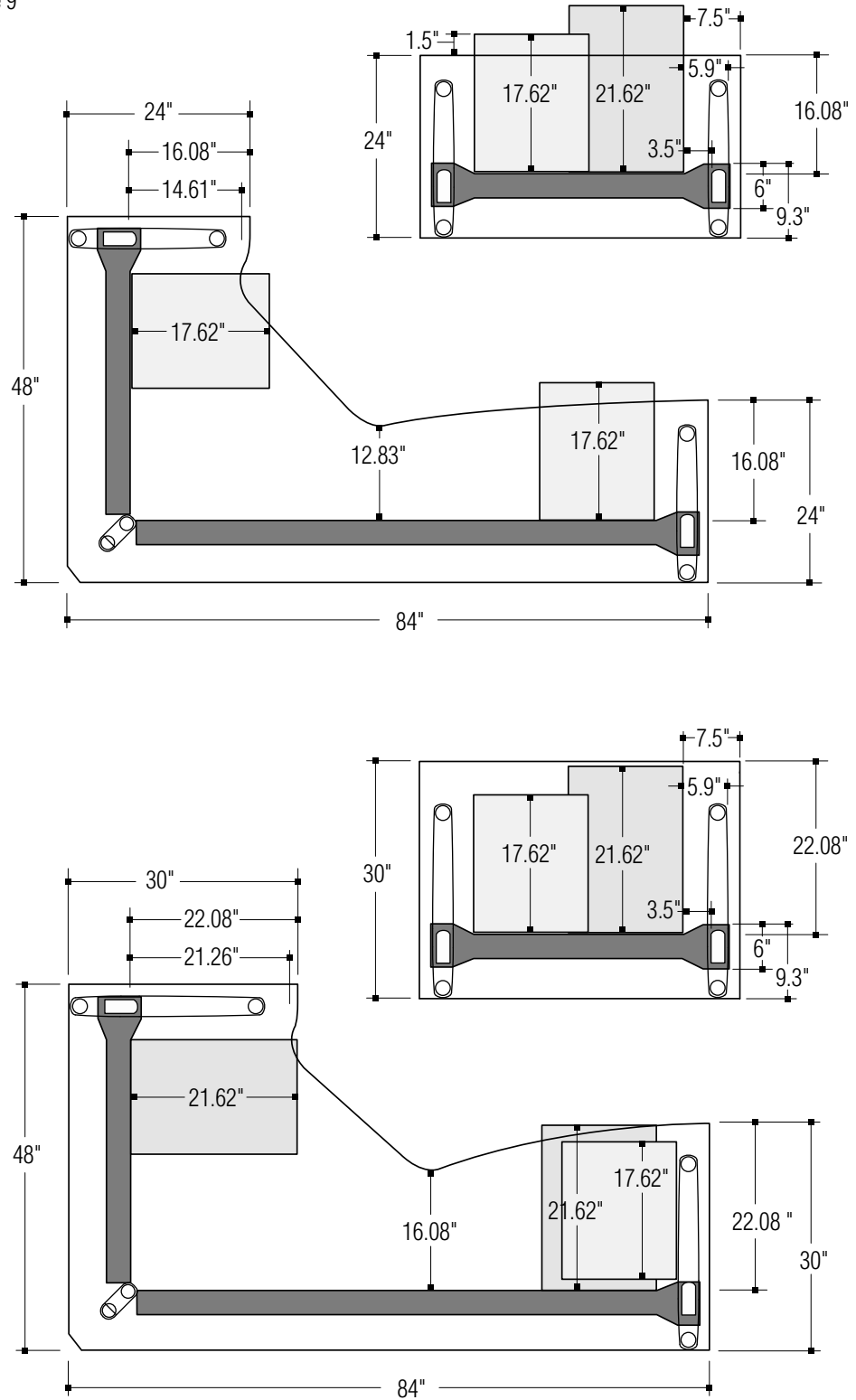
Worksurface Planning

WORKSURFACES

Pedestals under Crank Adjustable Desks

Note: Due to the adjustable range of T-4 desking, mobile pedestals are recommended.

Figure 9



Electrical Planning

ELECTRICAL

The Universal 10-wire system is available in two configurations (6-2-2 and 4-4-2). These numbers refer to the quantity of hot- neutral and ground wires configured in each system. Both 6-2-2 and 4-4-2 systems may be brought into the system from the wall or the floor, through the use of base feeds. T-4 10-wire electrical integrates with PowerWorks® panel system with the addition of the appropriate connectors.

The 10-wire electrical distribution system consists of a 10-wire rigid wireway, table-to-table connectors and a 10-wire infeed kit. The 2.16" wide double-sided rigid 10-wire wireway mounts inside the wire management trough and is available in widths to span the worksurface. The system is designed to have two duplex receptacles per trough or one duplex receptacle and one infeed per trough.

Corners and shoes can have two troughs with a total of four receptacles.

Both 10-wire circuits are rated at 120 VAC @ 20-amps. All receptacles are rated at 15 amps. Receptacles are available to access the up to six circuits within the harness and must be ordered separately.

There are different receptacles for each system, and different connectors specific to each system. Keyed connectors will not allow the two systems to be mixed.

Note: The two 10-wire systems (4-4-2 and 6-2-2) cannot be mixed together. The wiring systems must be separate.

Figure 10

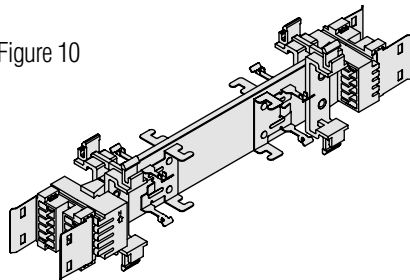
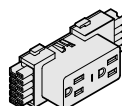


Figure 11



6-2-2 Configuration

The 6-2-2 configuration of the 10-wire system has three "convenience" circuits (1, 2, & 3) with each having their own hot wire. They share an oversized neutral wire and the building ground wire. Circuits 4, 5, & 6 are "isolated ground" circuits with each having their own hot wire. They share an oversized neutral wire and an isolated ground wire (Figure 10).

The advantage of this system is that it is able to have six circuits coming in via one base feed. This cuts down on the number of feed points on an installation. The number 4, 5, & 6 receptacles will be colored orange to designate that they are on the isolated ground while the number 1, 2, & 3 receptacles come in standard trim colors.

4-4-2 Configuration

The 4-4-2 configuration of the 10-wire system has two "convenience" circuits (1 & 2) with each having their own hot wire, their own neutral wire and share the building ground wire. Circuits 3 & 4 receptacles are the "isolated ground" with each having their own hot wire, their own neutral wire and share an isolated ground wire (Figure 10).

The advantage of this system is that all of the circuits have their own neutral wires, and have two circuits (3 & 4) that are used as isolated grounds. The number 3 & 4 receptacles are colored orange to designate that they are on the isolated ground, while the number 1 & 2 receptacles come in standard trim colors.

Receptacles

Receptacles are modular duplex outlets that have a maximum rating of 15 amps. Standard receptacles are color matched to the trim color and have the circuit number printed on the front (Figure 11). On isolated ground circuits the receptacles are orange and still have the circuit number printed on the front.

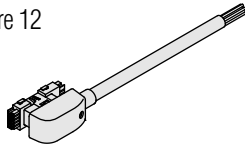
Electrical Planning

ELECTRICAL

Universal 10-Wire Power Infeed Kit

The 10-wire power infeed kit provides power from fixed floor, or wall sources to the 10-wire harness. It includes 6' of plastic covered flexible conduit. To connect the "hardwire" end of a 10-wire basefeed to your building, use a 3/4" Romex connector on the conduit (Figure 12).

Figure 12



Universal 10-Wire Power Table-to-Table Connector

10-wire table-to-table connectors consist of a sleeved flexible harness and a trough splice plate cover, which provides power connections from adjoining desks. The jumpers have a length of 21" for use when separated by privacy screens and 18" for desk-to-desk connections (Figure 13).

Figure 13

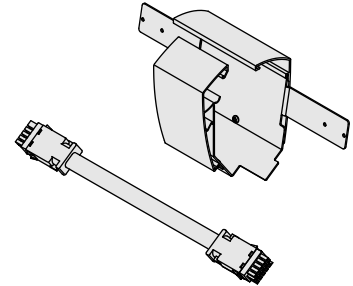
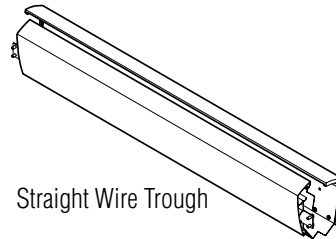
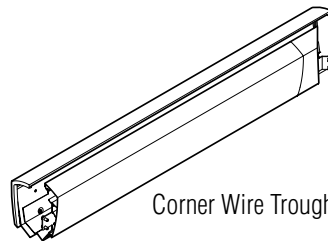


Figure 14

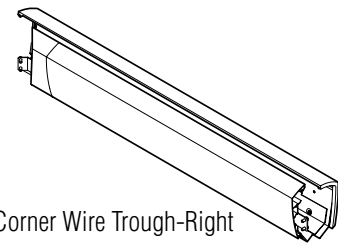
Wire Troughs



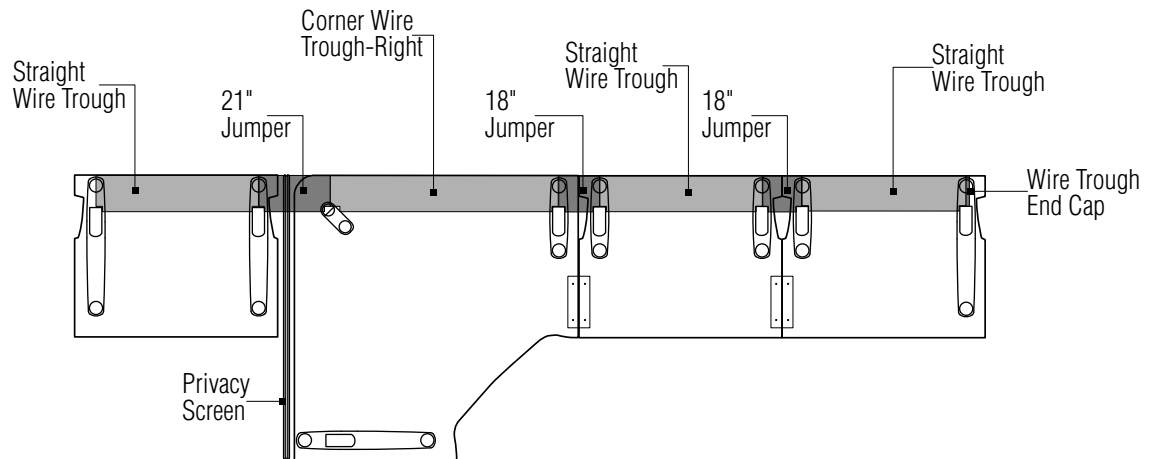
Straight Wire Trough



Corner Wire Trough-Left



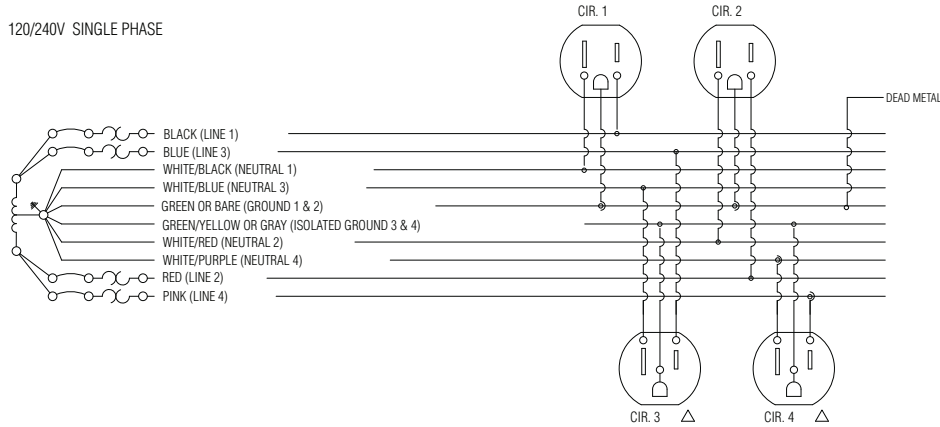
Corner Wire Trough-Right



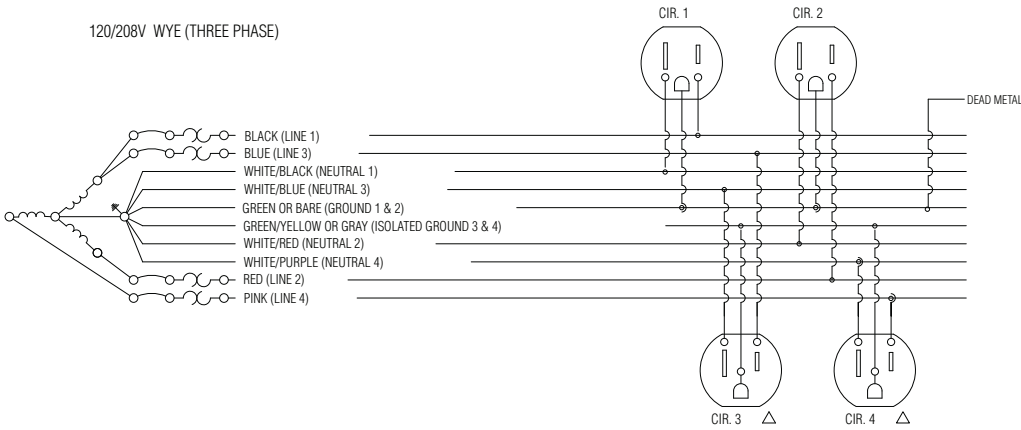
Note: T-4 desking is designed for spine applications only. The electrical will not support 90 degree corners.

4-4-2 Connection Diagrams

120/240V SINGLE PHASE



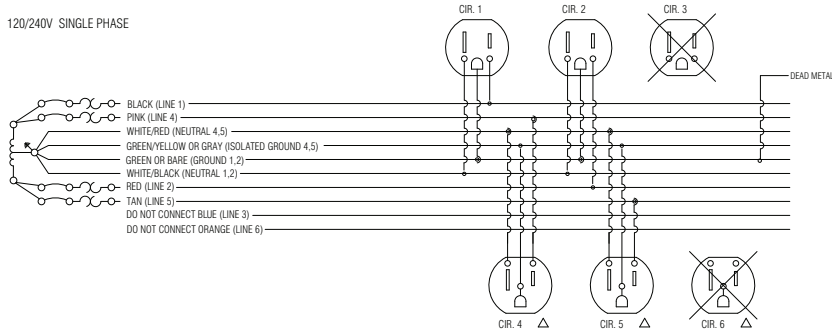
120/208V WYE (THREE PHASE)



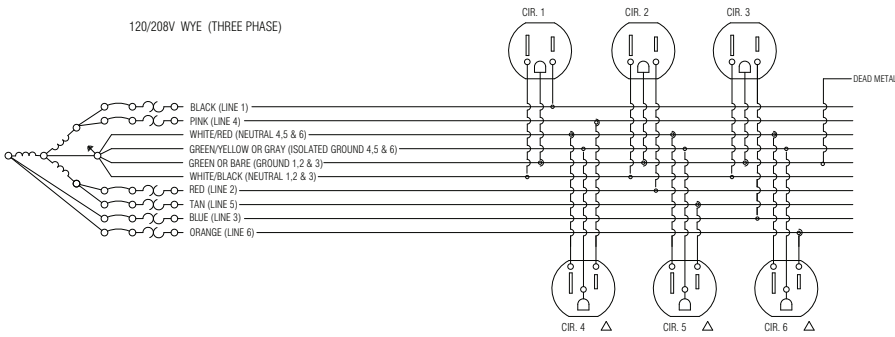
Electrical Planning

6-2-2 Connection Diagrams

120/240V SINGLE PHASE

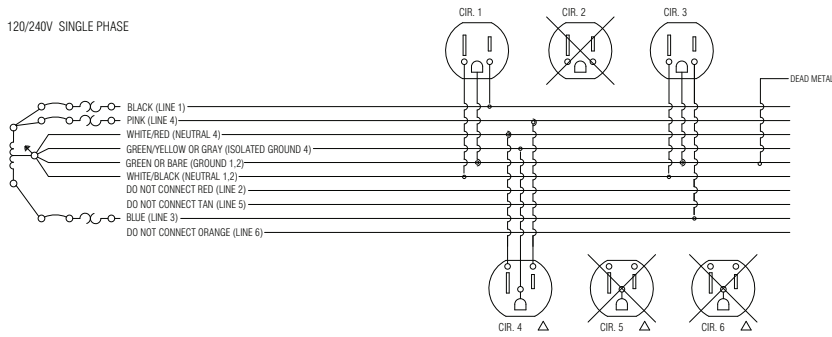


120/208V WYE (THREE PHASE)

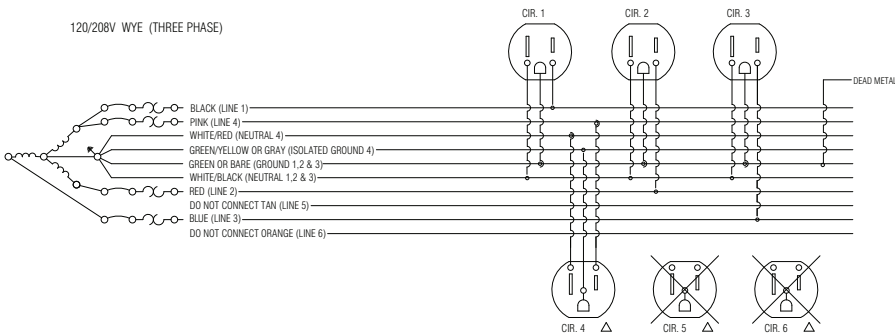


6-2-2 Connection Diagrams To An 8-Wire Building

120/240V SINGLE PHASE



120/208V WYE (THREE PHASE)

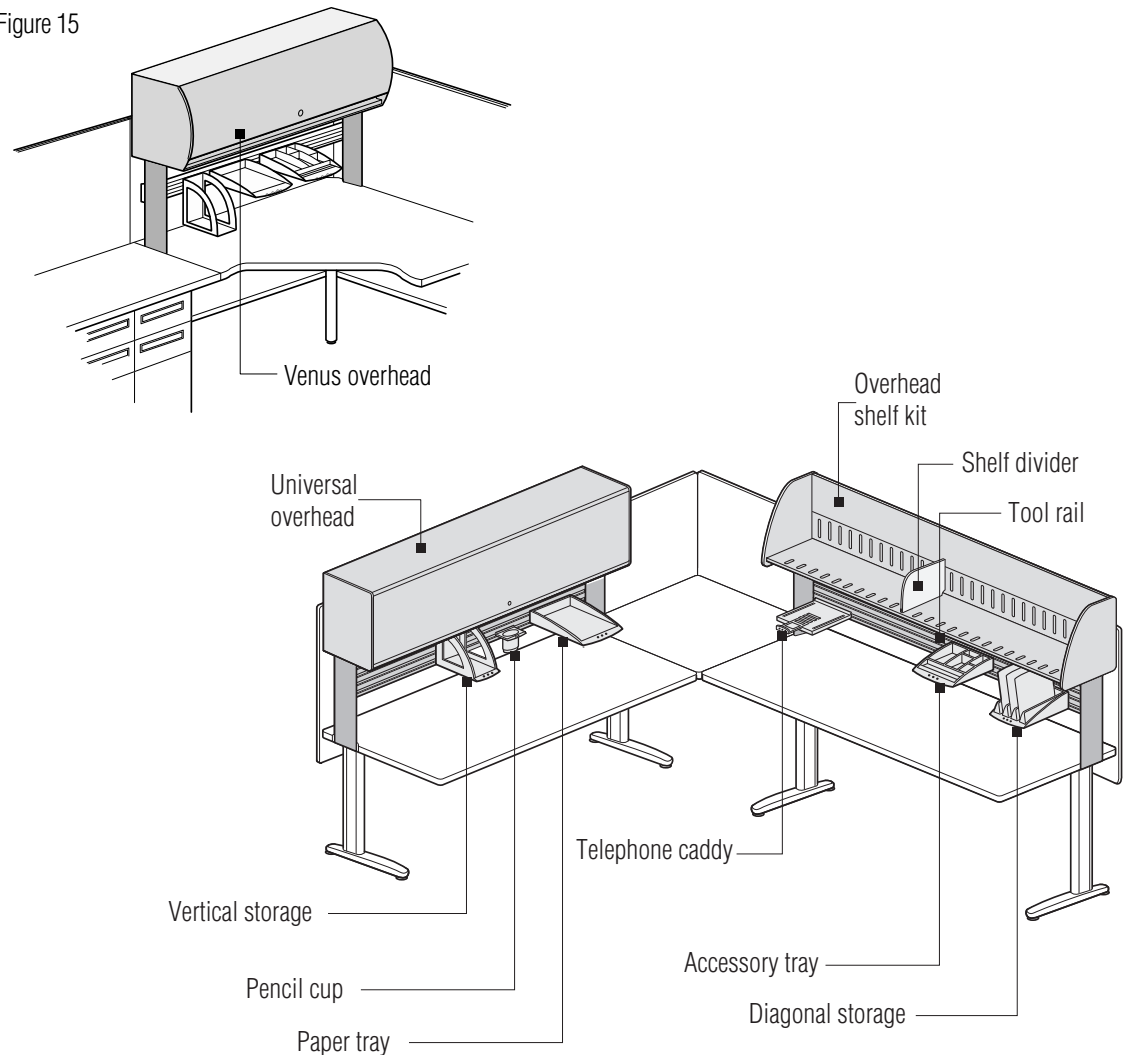


Overhead Storage Planning

OVERHEAD STORAGE

Fixed height worksurfaces that will have overheads or transaction surfaces must be ordered with overhead grommets.

Figure 15



Universal Overhead Cabinets

The Universal overhead comes with a painted steel, fabric covered or laminated door. The top, bottom shelf, full back and sides are all painted steel. The door recedes into the cabinet providing a clean look with the ability to keep the top exposed. Shelf dividers are available. The divider slots are spaced in 2" increments within the overhead cabinet.

Venus Overhead Cabinets

The Venus overhead cabinet comes with a solid color, fabric covered or laminate upper door. The bottom door is painted aluminum but the bottom shelf, top and sides of the cabinet are painted steel. The upper door opens by pressing the lower

door. The amount of force necessary to open the lower door is less than half of the ADA maximum guideline of five foot pounds of force. The upper door opens over the top of the cabinet. The back of the cabinet has a cord trough door that allows cords to be snaked through the overheads, allowing valuable items to be locked up yet still be able to be charged or connected to computers, etc.

Overhead Shelf Kits

Overhead shelf kits are available with powder-coated steel end panels and bottom shelf in the full range of sizes - 30" to 60" wide. Shelves are slotted for positive attachment of shelf dividers. Shelves are field installable to T-4 fixed height desks of the same width with the overhead grommet option.

Overhead Storage Planning

PAPER MANAGEMENT ACCESSORIES

Tool Rail

Tool rails attach between the stanchions on overheads and transaction surfaces of matching sizes. Available 30", 36", 42", 48", 54" and 60" wide by 4 $\frac{1}{2}$ " high.

Paper Tray

The paper tray is 9 $\frac{1}{2}$ " wide by 2" high by 14" deep to accommodate both letter and legal size documents. Trays include three hooks for suspending from tool rails or can be used freestanding on worksurfaces and shelves.

Diagonal Storage

Diagonal storage is 7" wide by 2 $\frac{1}{2}$ " high by 12 $\frac{1}{2}$ " deep and supplied with three hooks for mounting on tool rails. Available in the four trim colors with three black dividers. Units can be used freestanding on worksurfaces and shelves.

Vertical Storage

Vertical storage units are 5" wide by 9" high by 10 $\frac{1}{2}$ " deep and include two hooks for mounting to tool rails. Units can be used freestanding on worksurfaces and shelves.

Telephone Caddy

The telephone caddy measures 8 $\frac{1}{2}$ " wide by 2" high by 9 $\frac{1}{2}$ " deep and is adjustable to accommodate phones up to 10 $\frac{1}{4}$ " deep. Caddys include three hooks for suspending from tool rails.

Accessory Tray

Accessory trays measure 9 $\frac{1}{2}$ " wide by 2" high by 10" deep and include three hooks for mounting to tool rails. Trays have compartments to hold pencils, paper clips and miscellaneous items. Trays can be used freestanding on worksurfaces and shelves.

Pencil Cup

The pencil cup measures 4" wide by 4" high by 3 $\frac{1}{2}$ " deep for storage of pens, pencils and highlighters. Includes one hook to mount on tool rail.

Paper Tray

The paper tray is available in two sizes, one for legal size paper and the other for letter sized paper. The legal size paper tray is 3" by 16 $\frac{1}{4}$ " by 9 $\frac{1}{4}$ " and the letter size tray is 3" by 13 $\frac{1}{4}$ " by 9 $\frac{1}{4}$ ". Paper trays can be suspended from the tool rail or used freestanding on worksurface or overhead cabinets.

Slanted Storage

The slanted storage has three slanted partitions per unit with ID clips. Slanted storage units can be suspended from the tool rail or used freestanding on worksurface or overhead cabinet.

Binder Bin

The binder bin is 9 $\frac{1}{2}$ " by 5" by 12 $\frac{1}{4}$ " and includes identification clip. The binder bin can be suspended from the tool rail or used freestanding on worksurface or overhead cabinet.

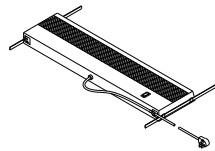
Task Lights

Task lights are available in two styles, the Universal task light (Figure 16) for use with the Universal overhead cabinet, shelf kit and transaction surface, and the Venus task light (Figure 17) for use with the Venus overhead cabinet.

Task lights include electronic ballast with rapid start cool white T-5 bulb. Light is non-handed and can be positioned left, right, or center depending upon width of cabinet and light. Lights are available in 3 widths, UL listed and available in black only. Task lights mount flush to the underside of overhead cabinet. A 9' cord can be routed either right or left handed.

Note that the stanchions for the overheads and transaction surface have a groove that allows a task light cord to be hidden on the back side of the stanchion (Figure 18).

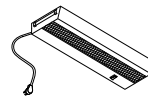
Figure 16



UNIVERSAL OVERHEAD TASK LIGHT POSITIONS

Overhead Size	Light Width	Light Model
24"	23.3"	TLT5.24
30"	23.3"	TLT5.24
36"	23.3"	TLT5.24
42"	35.1"	TLT5.36
48"	35.1"	TLT5.36
54"	46.9"	TLT5.48
60"	46.9"	TLT5.48

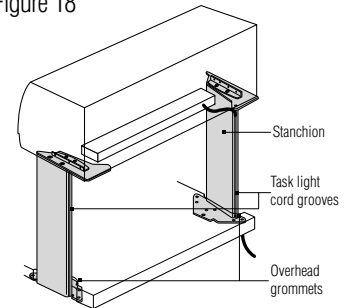
Figure 17



VENUS OVERHEAD TASK LIGHT POSITIONS

Overhead Size	Light Model
24"	BTLT5.24
30"	BTLT5.24
36"	BTLT5.24
42"	BTLT5.24
42"	BTLT5.36
48"	BTLT5.24
48"	BTLT5.36
54"	BTLT5.24
54"	BTLT5.36
60"	BTLT5.24
60"	BTLT5.36
60"	BTLT5.48

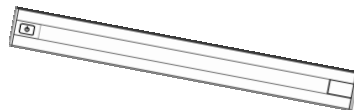
Figure 18



LED Task Lights

LED Task Lights shall be silver aluminum with white end caps a black cord. Sizes shall be 17", 31", 44" and 56". Mount options consist of magnets for metal and screw mount for wood products. Light features single touch on/off and touch-and-hold 100% - 15% continuous dimming pad with last state memory. The light automatically shuts off after 10 hours of use. The optional occupancy sensor shuts the fixture off after 30 minutes of inactivity. Lights are capable of being interconnected but combined wattage may not exceed 60 watts. Refer to chart below for suggested shelf sizes (Figure 19).

Figure 19



Overall Length	Suggested Shelf Size	LED's Per Light	Wattage Per Light
17"	24" - 36"	24	6.6
31"	42" - 48"	48	14.8
44"	56" - 60"	72	21.8
58"	> 72"	96	28.2

Privacy Screen Planning

PRIVACY SCREENS

The T-4 privacy screens are designed to replace a much bulkier panel system, $\frac{3}{4}$ of an inch thick, they allow for both sitting and standing privacy. Screens are specified based on their nominal height from the floor. Example: the height of a 42" screen is actually 25.3", but once installed the top of the screen will be 42" from the floor (Figure 19).

Screens are available in 42", 48", 51" and 54" heights. The 51" high screen is recommended for use when both overheads and screens will be present.

Fully upholstered screens are available 24" for end of run, 30", 36", 42", 48", 54" and 60" wide. Upholstered and clear fluted exposed frame screens are available 24" for end of run, 30", 36", 42", 48", 54", 60", 66", 72" and 84" wide.

End of run applications are for fixed height desks only and are specified to match the 24" or 30" depth of the desk.

Figure 20

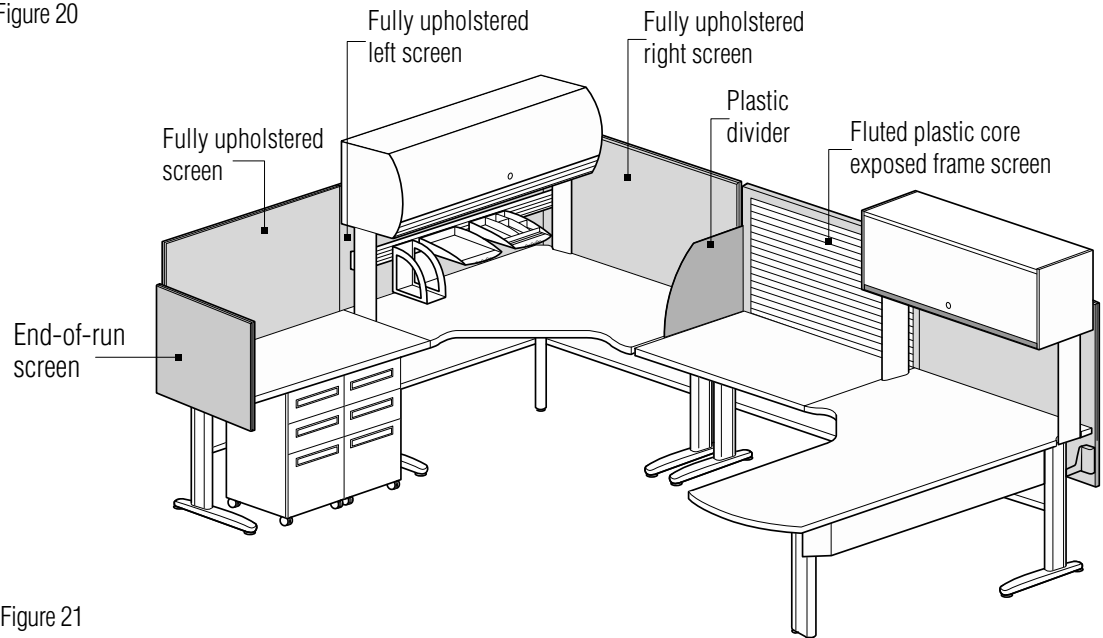
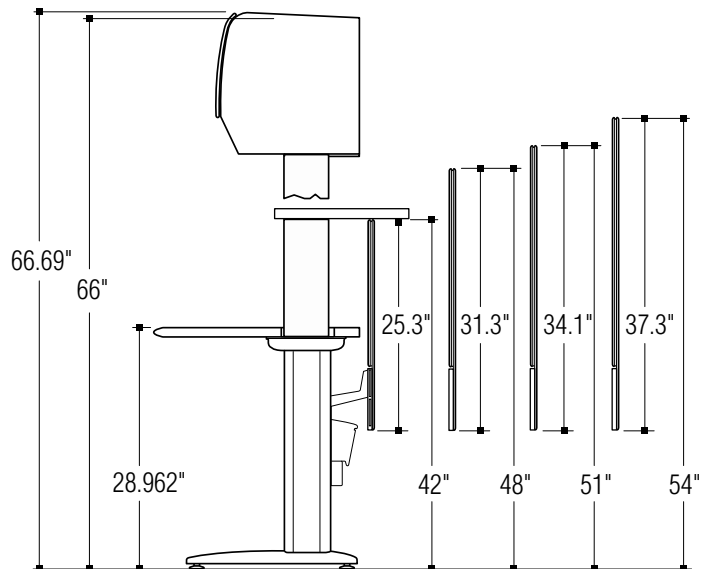


Figure 21



T-4 Planning Review

The following should be considered and reviewed when specifying:

1. No casters on any T-4 desking.
2. Worksurfaces with transition legs must be attached (via splice plate) to another surface.
3. Overhead grommets must be specified on fixed height worksurfaces when installing overheads or transaction counters.
4. The overhead stanchion is used for task light cord management.
5. Two-legged corners are not available with both transition legs.
6. Surfaces on electric height-adjustable desks are undersized by $1\frac{1}{4}$ " from side-to-side and $\frac{1}{2}$ " from front-to-back from the listed dimensions.
7. Surfaces on crank height-adjustable desks are undersized by $\frac{5}{8}$ " from side-to-side and $\frac{1}{4}$ " from front-to-back from the listed dimensions.

Filing and Storage suggestions:

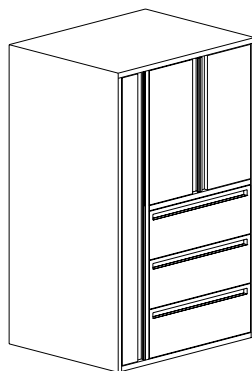
- Any filing can be used with the T-4 desking system.

Below are a few suggestions on how you can better incorporate filling into your workstation.

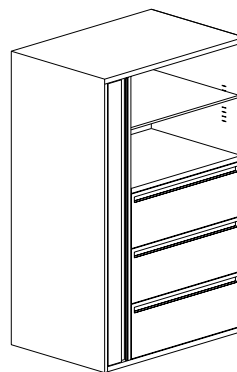
- It is a good idea to use pedestals under T-4 desks or to ensure that there will be enough clearance (See Worksurface Clearances for the proper sizing.). Mobile pedestals are another way to get the function of the pedestal with the ability to reconfigure.

Combination Kiosk Unit

- These units allow a user to have one storage unit that functions as a lateral, wardrobe closet and a bookshelf or cupboard.



Combination Kiosk Unit
with cupboard



Combination Kiosk Unit
with bookshelf

T-4 System Specifications

GENERAL INFORMATION

T-4 tables shall be available in fixed height, as well as adjustable. All fixed and adjustable tables shall meet or exceed ANSI/BIFMA 1998 requirements for desk products. The adjustable tables shall meet the ANSI/HF100-98 standard for adjustability and knee clearance. The tables shall meet the ADA specifications for wheelchair access and height of surfaces.

The metal components of T-4 tables shall be powder-coated for appearance and durability. All plastic components shall be color matched in accordance with the color program.

TABLE BASE SPECIFICATIONS

Fixed Height Tables

Each leg assembly shall be comprised of a 2" x 3" x 14-gauge steel tube that is welded to a steel foot, and on the other end, to worksurface support. The 14-gauge, draw-formed foot shall provide strength and room for carpet levelers in a low profile, sculpted component. The worksurface support shall be an 11-gauge steel, draw-formed component that provides high strength to support large, cantilevered loads. Extruded aluminum covers shall attach to the front and back of the upright tubing. Finished height with adjustable glides shall be 29".

Pin-Adjustable Tables

Each leg assembly shall be comprised of a 1³/₈" x 2³/₄" x 16-gauge steel tube that telescopes inside a 2" x 3" x 14-gauge steel outer leg tube. Nylon bushings shall ensure a smooth, telescoping action between the tubes. A 14-gauge, draw-formed foot shall be welded to the outer leg tube, and provides strength and room for carpet levelers in a low profile, sculpted component. An 11-gauge steel, draw-formed worksurface support shall be welded to the inner tube, and provides strength to support large, cantilevered loads. Extruded aluminum covers shall be attached to the front and back of the upright tubing for visual appeal. A spring steel button, protruding through holes in both tubes, shall allow for height adjustment in one-inch increments from 24" to 31".

Crank-Adjustable Tables

Each leg assembly shall be comprised of a 1³/₈" x 2³/₄" x 16-gauge steel tube that telescopes inside a 2" x 3" x 14-gauge steel outer leg tube. Nylon bushings shall ensure a smooth, telescoping action between the tubes. A 14-gauge, draw-formed foot shall be welded to the outer leg tube, and provides strength and room for carpet levelers in a low profile, sculpted component. An 11-gauge steel, draw-formed worksurface support shall be welded to the inner tube, and provides strength to support large, cantilevered loads on the worksurface. Extruded aluminum covers shall be attached to the front and back of the upright tubing for visual appeal.

The table shall be manually adjustable from 22"-33" or 27"-43" by turning a crank. The crank shall raise or lower the table at a rate of one inch per 10 revolutions. A lifting mechanism inside of each leg shall provide a uniform lifting force to the worksurface, regardless of the loading condition. Each mechanism shall be comprised of a steel acme threaded rod turning through a Delrin lead nut. The Delrin nut shall provide a silent operation, low friction and excellent wear characteristics. The acme rods shall deliver a lifting force to the underside of the surface supports. Precision needle roller bearings shall provide a smooth, quiet interface between the rotating acme rods and the surface supports.

The lifting mechanisms shall be synchronized via a roller chain that spans the distance between the table legs. The chain shall engage each acme-threaded rod through a Delrin sprocket that shall be attached to the rod.

Electrically-Adjustable Tables

Each leg assembly shall be comprised of a Triple telescoping steel tube with an overall dimension of 4.3" x 2.28". Extruded aluminum covers shall be attached to the back of the upright tubing for visual appeal.

The table shall be electrically adjustable from 24" to 51" by pressing a button. Motors shall raise or lower the table at a rate of 1.7 inches per second. The motors shall drive a lifting mechanism inside of each leg to provide a uniform lifting force to the worksurface, regardless of the loading condition.

The parallel connectors shall synchronize the motors electronically. The controller shall keep track of each motor revolution and shall ensure that the motors remain in perfect synchronization. The user interface shall occur at the switch. Simple up/down buttons shall be used on the basic controller. The deluxe shall also include three memory presets and a visual display indicating the height of the worksurface.

A keyboard mechanism shall be available on most electrically adjustable tables. The mechanism shall allow the keyboard surface to be easily adjusted 5" above or below the primary worksurface. The mechanism shall also provide +/- 15° of tilt.

WORKSURFACE SPECIFICATIONS

74P Worksurfaces

2mm PVC worksurfaces shall be constructed of 1 $\frac{1}{8}$ " thick, 45-pound density particleboard. A .030" minimum thickness laminate shall provide a durable writing surface. The backer shall be a .030" minimum thickness melamine sheet. This shall provide a balanced construction that shall give greater strength and prevent warping. All mounting holes shall be pre-drilled for easier table assembly and maximum holding power. A steel channel shall provide for extra structure on tables with unsupported spans more than 51". The 2mm surfaces shall be available in curvilinear or traditional shapes.

Powder Coated Finish

Epoxy powder-coating shall be electrostatically applied. The dry coating shall be fused and cured in a baking oven to form a smooth, continuous film. Finish shall be chemical-resistant, hard, tough and mar-resistant.

Mini Cable Tray

Trays shall be formed from 16-ga. CRS and powder coated to match the table base. Tray shall be 5"-tall, width on the bottom of the trough shall be 3.9" and shall open up to 6.4" at the top. On all tables, the mini cable tray shall simply be hung from the cross brace. On fixed height tables, the cross brace must be specified separately.

Modesty Panel

Modesty panels shall be constructed of textured CRS, 18-ga to 16-ga in thickness. The 8" modesty panels shall be suspended from the worksurface via 11-ga. steel brackets. There shall be a 1" minimum gap between the panels and the worksurface in order to pass wires, and the panels shall be inset from the back edge by 1". Modesty panels can be used on all types of T-4 desking regardless of adjustability.

PRIVACY SCREEN SPECIFICATIONS

Privacy Screens

Privacy screens shall be available to provide sit down privacy or standup privacy within T-4 workstations. Screens shall be 3/4" thick, 18" through 38" high, and available to fit all worksurfaces. Screens shall attach to the back of the legs providing a stationary height for the screen even when attached to an adjustable height desk. Screens are mounted 1" to 1 $\frac{1}{2}$ " from the worksurface edge.

Privacy screens shall be designed for straight-line applications. They shall include mounting brackets for attachment. Screens shall be available for straight applications in 24", 30", 36", 42", 48", 54", 60", 66", 72" and 84" widths.

Screens may be used to serve two worksurfaces placed back-to-back. Privacy screens shall be useable on worksurfaces with overhead storage units to close the opening between the worksurface and the bottom shelf.

Privacy screens will consist of two different aluminum extrusion profiles, each with die-cast corner connectors to create a rectangular frame. The frames will be either upholstered or painted, depending on the options. Between the two assembled frames, different core materials can be inserted. The screen material shall be made of 1/2" or 3/4" thick tackable core light or a 10 mm thick non-tackable translucent plastic. The extruded aluminum frame shall be .060" thick. The attachment bracket shall be made of 7 gauge steel.

End-of-run privacy screens shall be available in 24" and 30" widths to match the depth of the fixed height worksurface that it will be used on. End-of-run privacy screens attach to the underside of the worksurface. End-of-run privacy screens shall have the same height and finishes as the regular privacy screens.

T-4 System Specifications

OVERHEAD SPECIFICATIONS

Venus Overhead Storage

The overhead storage unit shall have a door that is mechanically assisted in such a way as to keep the door balanced throughout its operation such that the action of both opening and closing is automatically controlled such that the door doesn't spring open or slam closed. The overhead storage unit structure and mechanical assist mechanism shall have a lifetime warranty. The overhead storage unit shall comply with the Americans with Disabilities Act ADA 4.2.5 and 4.2.6 whereby a user shall not reach higher than 48" from the floor to the front of the user or no higher than 54" to the side. The overhead storage unit shall comply with the Americans with Disabilities Act ADA 4.27.4 whereby the door shall be operable with one hand and shall not require tight grasping, pinching or twisting of the wrist. The force required to operate the door (opened and closed) shall be no greater than five foot-pounds. The door of the overhead storage unit shall open to the outside of the cabinet to help prevent the storage of unsightly papers on the top of the cabinet, yet there shall be a narrow space at the rear of the cabinet to allow plants or other small items to be displayed. The overhead storage unit shall accommodate standard American size three ring binders, as well as A4 and Folscap sized binders, up to 13³/₄"-high. The overhead storage unit shall be available with an upper door that can be upholstered in fabric as well as offered in solid colored, translucent, and high-pressure laminate.

Universal Overhead Storage

The product shall be offered in widths of 24", 30", 36", 42", 48", 54" and 60". The overall dimensions of the end panels shall be 16¹/₂" high and 14¹/₂" deep. The shelf depth shall be 13¹/₄". Each cabinet shall include separate brackets, which allow for either on or off-module mounting. Off-module cabinet shall mount into slots in vertical posts. Cabinet must be same width as the panel to which it is mounted. Off-module cabinet shall mount into the integral track in the horizontal rail, allowing cabinet to slide along track. Door fronts shall be offered in steel, fabric and laminate versions with a dual-durometer PVC extruded handle. The door front will operate on a rack and pinion gear system and will utilize a center lock mechanism. The door front will store recessed inside the cabinet with the handle exposed. The steel door front shall be of honeycomb core constructions with a powder-coat finish. The construction of the fabric door front shall be identical to the steel door front except that the outer surface of the door front is covered with fabric. The laminate door front shall be high-pressure laminate covering a particleboard core.

Shelf Dividers

Shelf dividers shall be offered in the same color trim as the panels. The shelf dividers shall be powder-coated steel. Installation removal shall be accomplished without the use of tools or fasteners.

TASK LIGHT SPECIFICATIONS

Task Lights

Task lights shall be offered in one standard level of efficiency and cost. The standard light shall have an electronic ballast with rapid start, cool white T5 fluorescent lamp. Task lights shall attach to the underside of the shelf on overhead cabinets. Power cord length will be 9' long. Lights shall be UL listed and available in black only. They shall be available for all widths of Universal or Venus overheads.

LED Task Lights

Task lights are available with magnetic mount for metal applications or screw mount for wood applications. Lights offer single touch on/off and touch-and-hold continuous dimming pad with last state memory. Cord length to be 9' on 15W power supply and 12' on 60W power supply. Overall length to be 17", 31", 44" and 58".

ELECTRICAL SPECIFICATIONS

10-Wire Electrical Distribution System

The 10-wire system is available in two configurations (6-2-2 and 4-4-2). The UL label is green for 6-2-2 and blue for 4-4-2 applications. These numbers refer to the quantity of hot- neutral and ground wires configured in each system. Both 6-2-2 and 4-4-2 systems may be brought into the system from the wall or the floor, through the use of base feeds. T-4 10-wire electrical will be able to integrate with KI's WireWorks panel system with the addition of the appropriate connectors.

The 10-wire electrical distribution system will consist of a 10-wire harness, table to table connectors and a 10-wire infeed kit. The 2.16" wide double sided rigid 10-wire harness shall mount inside the wire management trough and shall be available in widths to span the worksurface. The 30" to 84" wide worksurface harness kit shall accommodate (2) 15 amp duplex receptacles.

Receptacles shall be available to access the up to six circuits within the harness and must be ordered separately.

Both 10-wire circuits are rated at 120 VAC@ 20 amps. All receptacles are rated at 15 amps. The specifics of each wiring configuration are detailed below.

Note: The two 10-wire systems (4-4-2 and 6-2-2) cannot be mixed together. The wiring systems must be separate.

There are different receptacles for each system, and different connectors specific to each system. Keyed connectors will not allow the two systems to be mixed.

6-2-2 Configuration

The 6-2-2 configuration of the 10-wire system will have three "convenience" circuits (1, 2, & 3) which will each have their own hot wire, will share an oversized neutral wire and will share the building ground wire. Circuits 4, 5, & 6 are "isolated ground" circuits that will each have their own hot wire, will share an oversized neutral wire and will share an isolated ground wire.

The advantage of this system is that it will be able to have a six circuits coming in via one top feed or base feed. This will cut down on the number of the feed points on an installation. The number 4, 5, & 6 receptacles will be colored orange to designate that they are on the isolated ground, while the number 1, 2, & 3 receptacles come in standard trim colors.

4-4-2 Configuration

The 4-4-2 configuration of the 10-wire system will have two "convenience" circuits (1 & 2) which will each have their own hot wire, their own neutral wire and will share the building ground wire. Circuits 3 & 4 receptacles are the "isolated ground" which will each have their own hot wire, their own neutral wire and will share an isolated ground wire.

The advantage of this system is that all of the circuits will have their own neutral wires and will have two circuits (3 & 4) that use an isolated ground. The number 3 & 4 receptacles will be colored orange to designate that they are on the isolated ground, while the number 1 & 2 receptacles come in standard trim colors.

10-Wire Power Infeed Kit

The 10-wire power infeed kit shall provide power from fixed floor, or wall sources to the 10 wire harness. It shall include 6' of plastic covered flexible conduit. To connect the "hardwire" end of a 10-wire basefeed to your building, use a 3/4" Romex connector on the conduit.

10-Wire Power Table-to-Table Connector

10-wire table-to-table connector shall consist of a sleeved flexible harness, which provides power connections from adjoining desks. The jumpers shall have a length of 21" for use with privacy screens and 18" for desk-to-desk connections.

