

Marathon Desking



Marathon is Badger State Industries
NEW Contemporary Desking Line.



Premium Adj. Door Hinges



100 lb. Drawer Slides



Wood Grain PVC Edge



Simple-Design Hardware

Handles Level 1

MARATHON SWATCHES



Black Aluminum
#W-FE14835-28B



Dull Brass
#W-FE14835-4



Dull Chrome
#W-FE14835-26D

UPGRADE Handles Level 2



Brushed Nickel
W-9718-1BPN-P
\$7/each (list)



Antique Copper
W-9719-1BAC-P
\$7/each (list)



Black Nickel
W-9720-1BBN-P
\$7/each (list)



Antique Brass
W-9721-1BAB-P
\$7/each (list)

UPGRADE Handles Level 3 & 4



Polished Chrome
W-7017-126-C
\$11/each (list)



Dull Black
W-7018-155-C
\$11/each (list)



Black Nickel
W-7019-198-C
\$11/each (list)



Polished Gold
W-7015-107-C
\$14/each (list)



Brushed Nickel
W7016-1BPN-C
\$14/each (list)

UPGRADE Handles Level 5



Polished Gold
W-7000-107-C
\$22/each (list)



Brushed Nickel
W-7001-1BPN-C
\$22/each (list)



Polished Chrome
W-7002-126-C
\$22/each (list)



Brushed Bronze
W-7004-1BBZ-C
\$22/each (list)



Dull Black
W-7053-155-C
\$22/each (list)



Brushed Nickel
W-7054-1BPN-C
\$22/each (list)



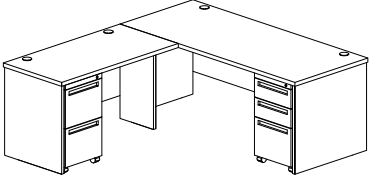
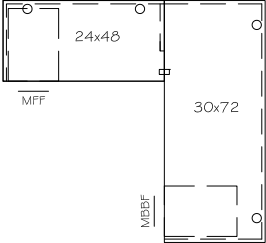
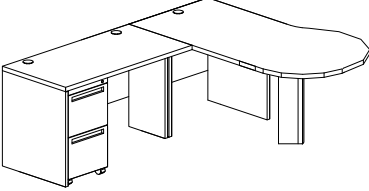
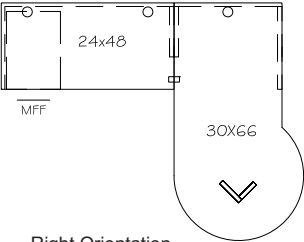
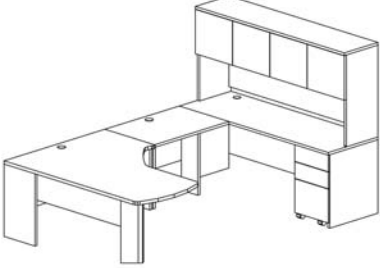
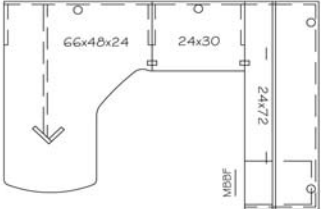
Polished Gold
W-7055-107-C
\$22/each (list)





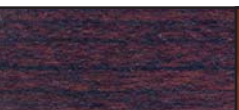



Polished Chrome
W-7056-126-C
\$22/each (list)

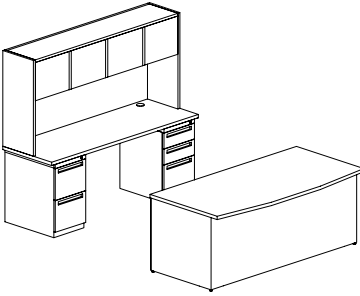
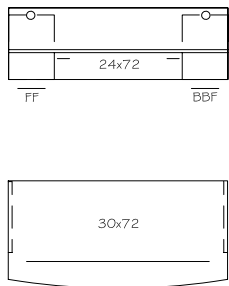
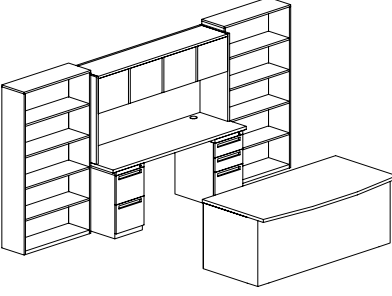
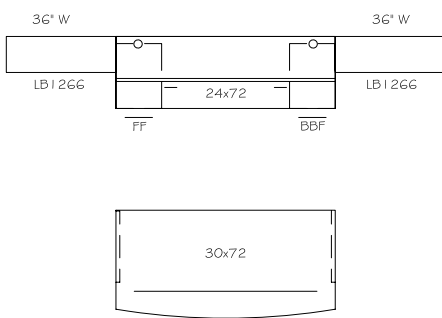
Number of Handles Required

Typical A	Typical B	Typical C	Typical D	Typical E	Typical F	Ped File/File	Ped Box/Box File	Lateral File	Vertical 3 Drawer	Vertical 4 Drawer	Vertical 5 Drawer	Kiosk	36" Hutch	42" Hutch	48"-72" Hutch
5	2	3	5	5	3	2	3	4	3	4	5	3	2	3	4

Part #: MARTYPA-Q-QQ	Part #: MARTYPB-Q-QQ	Part #: MARTYPC-QQ-Q
  <p>Left Orientation</p>	  <p>Right Orientation</p>	  <p>Left Orientation</p>
<p>Typical A Includes</p> <p>One (1) 24x48 Desk</p> <ul style="list-style-type: none"> ♦ Partial Modesty Panel ♦ One (1) Full Leg ♦ One (1) Partial Leg ♦ Two (2) Grommets ♦ One (1) Splice Plate <p>One (1) 30x72 Desk</p> <ul style="list-style-type: none"> ♦ Partial Modesty ♦ Two (2) Full Legs ♦ Two (2) Grommets <p>One (1) Mobile File/File</p> <p>One (1) Mobile Box/Box File</p>	<p>Typical B Includes</p> <p>One (1) 24x48 Desk</p> <ul style="list-style-type: none"> ♦ Partial Modesty Panel ♦ One (1) Full Leg ♦ One (1) Partial Leg ♦ Two (2) Grommets ♦ One (1) Splice Plate <p>One (1) 30x66 "P" Desk</p> <ul style="list-style-type: none"> ♦ Partial Modesty Panel ♦ One (1) Full Leg ♦ One (1) Partial Leg ♦ One (1) "V" Support ♦ One (1) Grommet <p>One (1) Mobile File/File</p>	<p>Typical C Includes</p> <p>One (1) 24x30 Desk</p> <ul style="list-style-type: none"> ♦ Partial Modesty Panel ♦ Two (2) Partial Legs ♦ One (1) Grommet ♦ Two (2) Splice Plate <p>One (1) 24x72 Credenza</p> <ul style="list-style-type: none"> ♦ Partial Modesty Panel ♦ Two (2) Full Legs ♦ Two (2) Grommets <p>One (1) 72", Four (4) Door Hutch</p> <p>One (1) 66x48x24 Arcade Desk</p> <ul style="list-style-type: none"> ♦ Partial Modesty Panel ♦ Two (2) Partial Leg ♦ One (1) "V" Support ♦ One (1) Grommet <p>One (1) Mobile Box/Box File</p>
<p>Furniture Footprint: 6'-6"W x 6'D</p>	<p>Furniture Footprint: 7'W x 5'-6"D</p>	<p>Furniture Footprint: 9'W x 6'D</p>
<p style="text-align: center;">\$1530.88 Net Shipping & Installation included</p>	<p style="text-align: center;">\$1058.04 Net Shipping & Installation included</p>	<p style="text-align: center;">\$2102.16 Net Shipping & Installation included</p>

Available in six wood finishes

					
Hardrock Maple	Wild Cherry	Provincial Cherry	Windsor Mahogany	Jet Black	Quartered Oak

Part #: MARTYPD-□□	Part #: MARTYPE-□□
 	 
<p>Typical D Includes</p> <ul style="list-style-type: none"> One (1) 24x72 Credenza <ul style="list-style-type: none"> Two (2) Worksurface Supporting Files <ul style="list-style-type: none"> Box/Box File File/File One (1) 30x72 Executive Desk <ul style="list-style-type: none"> Full Modesty Panel Two (2) Full Legs One (1) 72", Four (4) Door Hutch 	<p>Typical E Includes</p> <ul style="list-style-type: none"> One (1) 24x72 Credenza <ul style="list-style-type: none"> Two (2) Worksurface Supporting Files <ul style="list-style-type: none"> Box/Box File File/File One (1) 30x72 Executive Desk <ul style="list-style-type: none"> Full Modesty Panel Two (2) Full Legs One (1) 72", Four (4) Door Hutch Two (2) 12x66" Bookcases <ul style="list-style-type: none"> Four (4) Adjustable Shelves
<p>Furniture Footprint: 6'W x 8'D</p>	<p>Furniture Footprint: 12'W x 8'D</p>
<p align="center">\$2761.95 Net Shipping & Installation included</p>	<p align="center">\$2040.51 Net Shipping & Installation included</p>

Marathon Specifications

Manufactured using Fiberesin LPM+ hybrid composite Phenolic resin high density particle board. The thermofused surface is a blend of specialty resin and fibers.

Matching wood grain PVC edge.
Premium adjustable, invisible door hinges.
Heavy duty, 100 lb. drawer slides.
Classic steel drawer pulls in three finishes

Warranty

10 Years for Structural Integrity, and Surface De-lamination.
1 Year for Glides, Slides, Hinges, and Hardware.

Lead Time

45 Days

When measuring your room for a Marathon Typical please keep in mind placement or light switches, outlets, windows, thermostats, heating registers or any other object that could effect the placement of your furniture. If you have any questions or concerns about your room measurements, please contact a sales representative so that they may assist you.

Marathon is not only available in a typical set-up, but also available as individual pieces. The different pieces offered are: D-shaped Peninsula, P-Shaped Peninsula, Square Shoe, Executive Desk, Rectangular Desk, Bridge, Credenza, Corner Desk, Hutches, Bookcases, Pedestal Files and Lateral Files.



Showroom and Business Office

3099 East Washington Ave Madison, Wisconsin 53704
TEL: 608-240-5200 FAX: 608-240-3321 TOLL FREE: 800-862-1086

w w w . b u y b s i . c o m